

# Product Data sheet

Part no.	Name	Type
1371371	Concrete Anchor Bolts S-M AC-10x85 A4	S-M AC-10x85

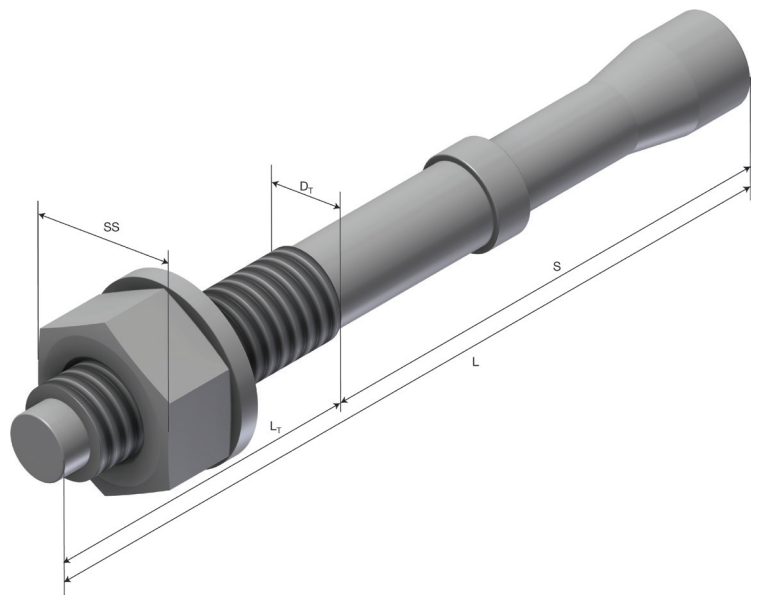
Description: Concrete Anchor Bolts. M10 size.



Additional information: Quality: A4-70. STD: 40

## Characteristics

Name	Value
Weight (kg)	0.0
S Spacing (mm)	45
Dt Diameter threads (mm)	10
Lt Length Threads (mm)	40
Spanner Size SS (mm)	17
L Length (mm)	85



## Product packaging information

F-PAK GTIN	Single piece	
------------	--------------	--