


44420277	DATA SHEET	
Valid from: 14.01.2019	EPIC® POWERLOCK A6 S	

Description

- Single-pin circular connector for mobile power distribution, electro motors and generators
- Resistant to mechanical influences in harsh environmental conditions
- Connectors in harmonised colours according to European standards
- Every colour has a different coding to prevent incorrect plugging



General Characteristics

Series	A6 S
Version	panel-mount box, source for contact with M12 threaded post
Rated voltage (V)	1000 V
Rated impulse voltage	8 kV
Rated current (A)	max. crimp 400 A
Contacts	Screw termination: silver-plated brass
Number of contacts	1
Termination methods	Screw termination: 50 - 120 mm ²
Protection	IP 67 (maximum, dependant on cable gland used) IP 20 (unmated)
Cycle of mechanical operation	500
Temperature range	-25°C to +125°C
Degree of soiling	3

Product Variations

Article- Number	Article	Fastening type	Pin configuration
Type POWERLOCK A6, panel-mount box, source for contact with M12 threaded post			
44420277	POWERLOCK A6 PE/GN	Ø5,5mm (4x)	PE, Green
44420278	POWERLOCK A6 N/BL	Ø5,5mm (4x)	N, Blue
44420279	POWERLOCK A6 L1/BN	Ø5,5mm (4x)	L1, Brown
44420280	POWERLOCK A6 L2/BK	Ø5,5mm (4x)	L2, Black
44420281	POWERLOCK A6 L3/GY	Ø5,5mm (4x)	L3, Grey
POWERLOCK A6 L1/RD			
44420321	POWERLOCK A6 L1/RD	Ø5,5mm (4x)	L1, Red


Materials and Surfaces

Housing	PBT
Contact retention pin	PA

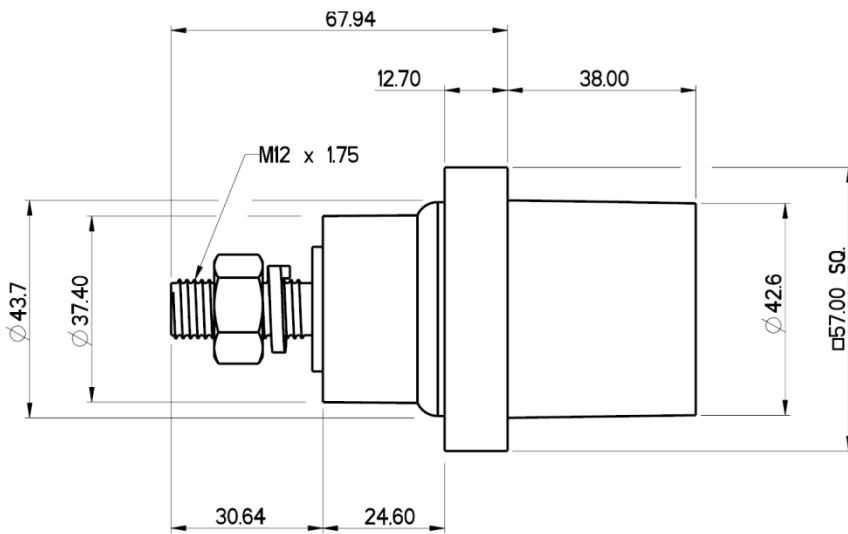
Approvals

VDE-Approval, VDE-REG.-No.	D042
----------------------------	------

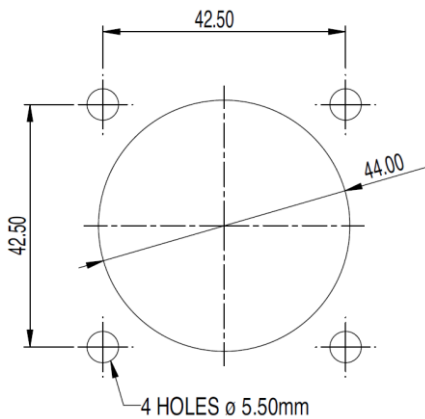
Creator: STKU3/PDP Released: IVSE1/PDP	Document: DB44420277EN Version: 03	Page 1 of 4
---	---------------------------------------	-------------

44420277	DATA SHEET	
Valid from: 14.01.2019	EPIC® POWERLOCK A6 S	

Technical Drawings

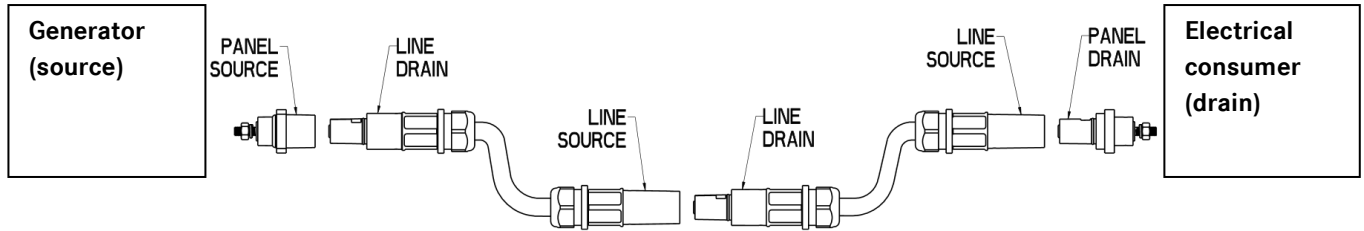


Panel cutout



Creator: STKU3/PDP Released: IVSE1/PDP	Document: DB44420277EN Version: 03	Page 2 of 4
---	---------------------------------------	-------------

System description



	Line connector	Panel mount connector	Crimp contact	Screw contact
Source	D6 	A6 		
Drain	F6 	A1 		

Step 1) Selection of housings:

Step 2) Selection of SKINTOP® cable gland M40 for the housing (only cable connectors):
e.g. 3111250 (black), 53111450 (light grey), 53111050 (silver grey)

Step 3) Decision: 400 A / max. 120mm² -> Screw contacts
 660 A / max. 240mm² -> Crimp contacts

! Screw and crimp contacts are not allowed to be mixed!

Step 4) Selection of contacts:


Screw contacts with reduction sleeve (with 120mm² not necessary)

	50 mm ²	70 mm ²	95 mm ²	120 mm ²
Source	44420237 & 44420247	44420237 & 44420246	44420237 & 44420245	44420237
Drain	44420232 & 44420247	44420232 & 44420246	44420232 & 44420245	44420232

Contacts with M12 thread (for cable lug Ø12 mm)

	M12-thread 660 A	M12-thread 400 A
Source	 44420261	 44420242
Drain	 44420260	 44420241

Tightening torque M12 nut: 27,5 Nm - 31,4 Nm

44420277	DATA SHEET	
Valid from: 14.01.2019	EPIC® POWERLOCK A6 S	



Approved



Robust



Reliability



Waterproof

Info

Connector for unscreened single-core power cables

Application range

For renewable energy plants e.g. wind power

For mobile and stationary power distribution

For the connection of motors, transformers and generators

Light & sound technology

Product features

Panel-mount base, straight entry

Contact fixing by contact retention pin, each pin can only be used once

Housing without contact, order contact separately

Remark

Photographs are not to scale and do not represent detailed images of the respective products.

Creator: STKU3/PDP Released: IVSE1/PDP	Document: DB44420277EN Version: 03	Page 4 of 4
---	---------------------------------------	-------------