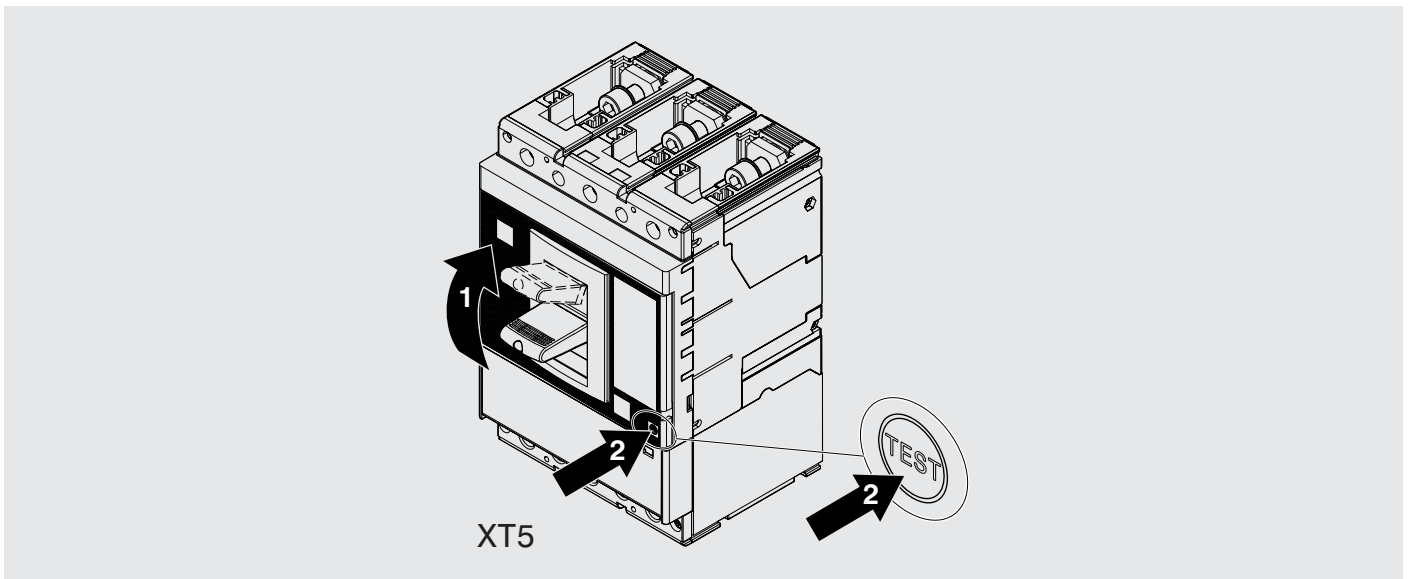
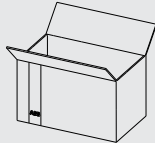
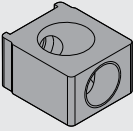
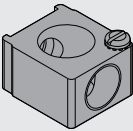
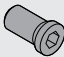



SACE Tmax XT

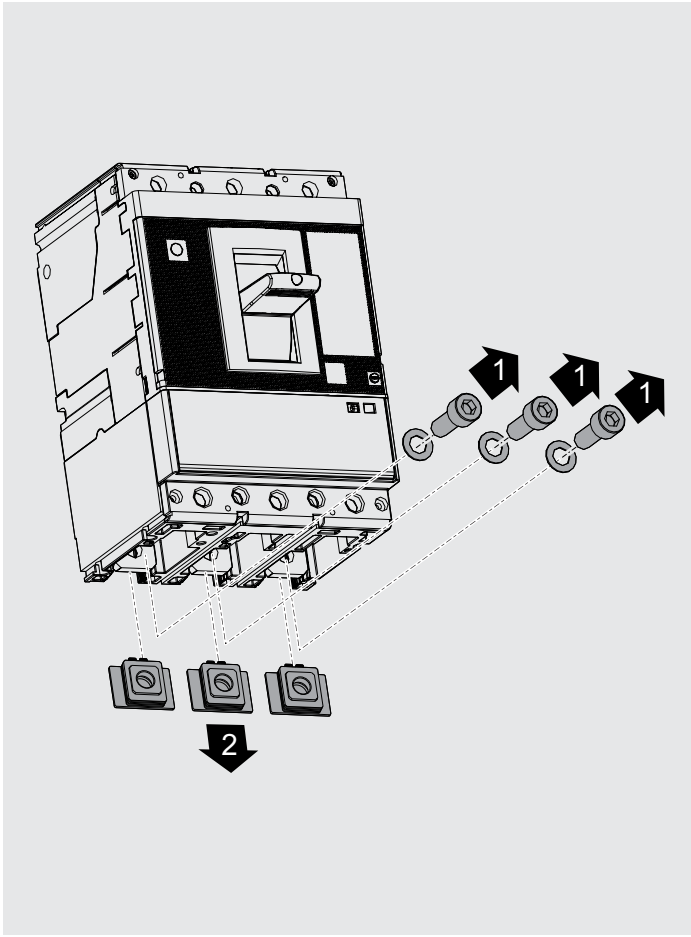
FC CuAl - Terminali anteriori per cavi in rame - alluminio 4/0AWG...500 kcmil XT5
FC CuAl - Front terminals for copper - aluminum cables 4/0AWG...500 kcmil XT5
FC CuAl - Vorderseitige Anschlüsse für Kabel aus Kupfer - Aluminium 4/0AWG...500 kcmil XT5
FC CuAl - Prises avant pour câbles en cuivre - aluminium 4/0AWG...500 kcmil XT5
FC CuAl - Terminales frontales para cables de cobre - aluminio 4/0AWG...500 kcmil XT5
FC CuAl - 銅鋁電纜前端子4/0AWG...500 kcmil XT5

XT5

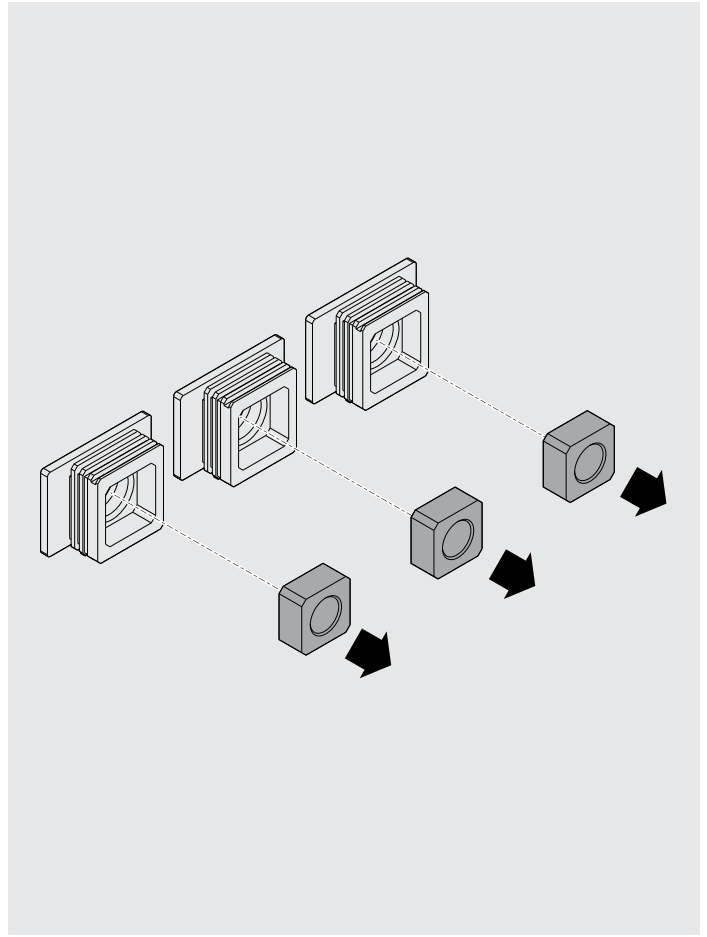


		3p	4p
A		3	4
A1		3	4
B		3	4
C		3	4

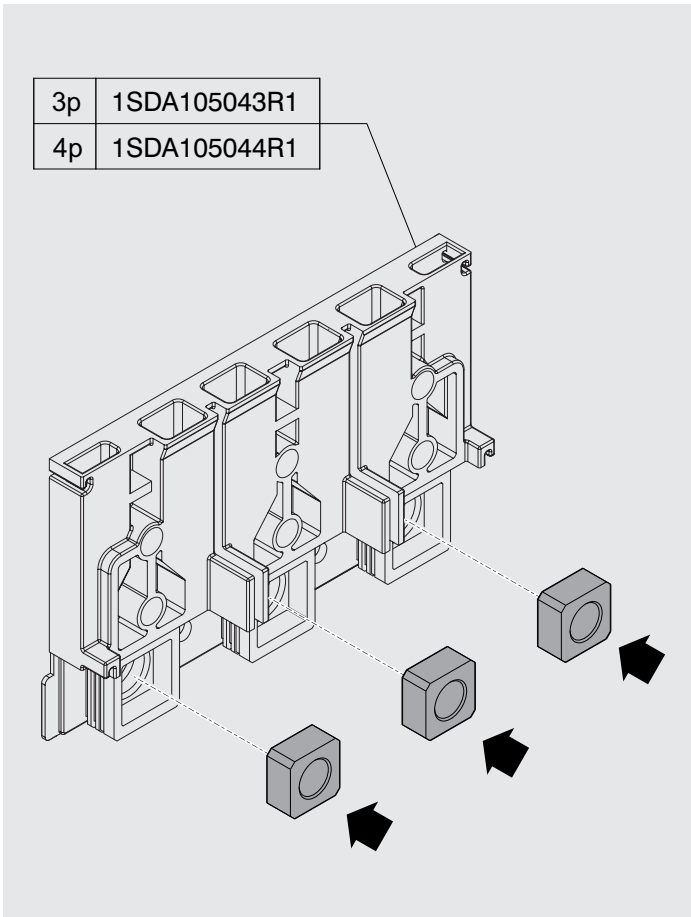
1 Example for supply from lower terminals, $\geq 500V$ - F



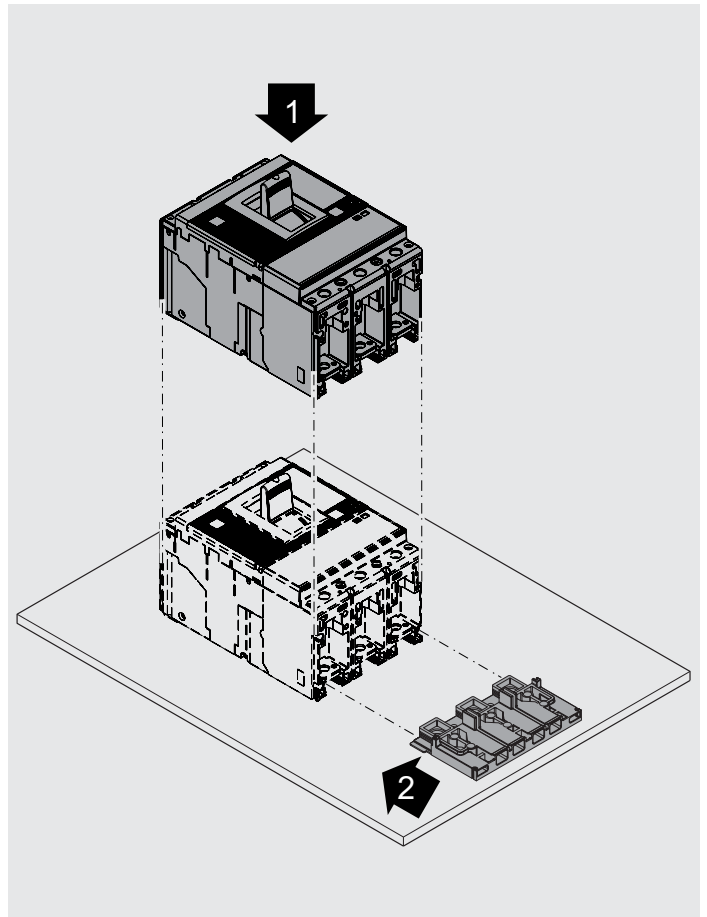
2 Example for supply from lower terminals, $\geq 500V$ - F



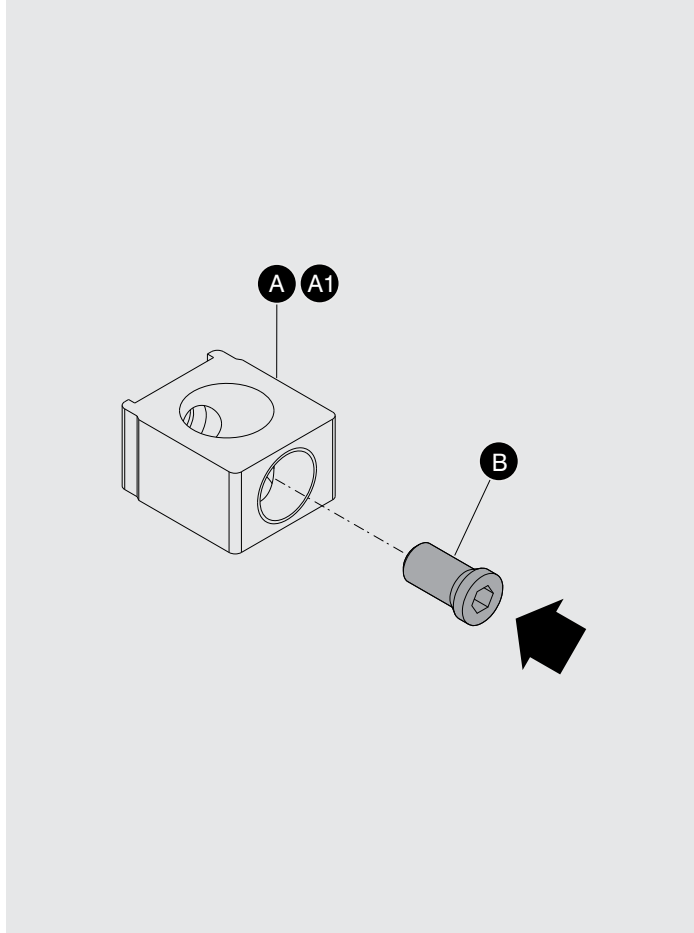
3 Example for supply from lower terminals, $\geq 500V$ - F



4 Example for supply from lower terminals, $\geq 500V$ - F



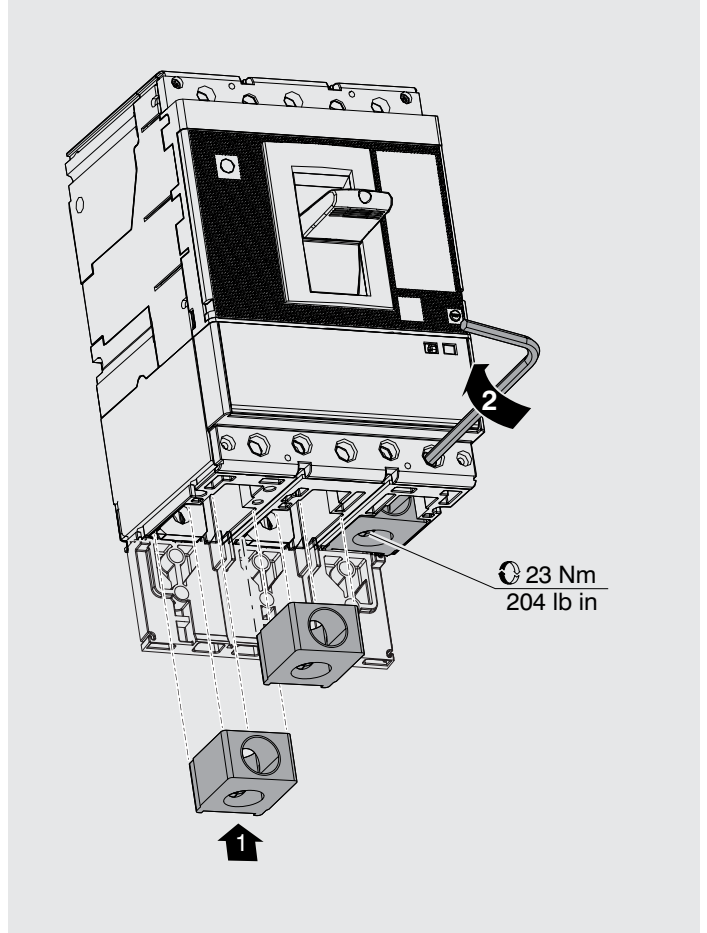
5



F

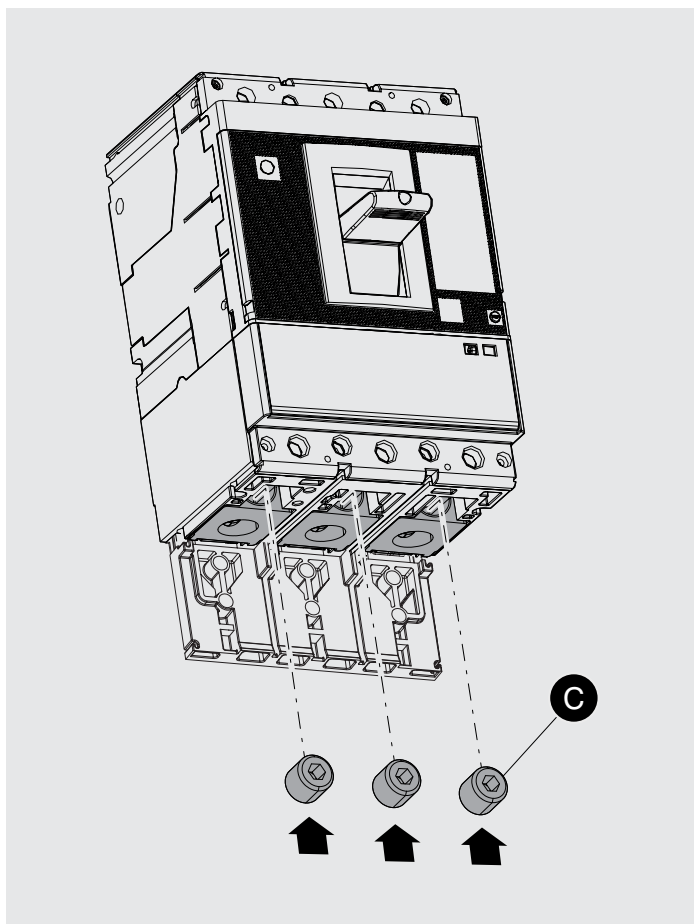
6

Example for supply from lower terminals, $\geq 500V - F$



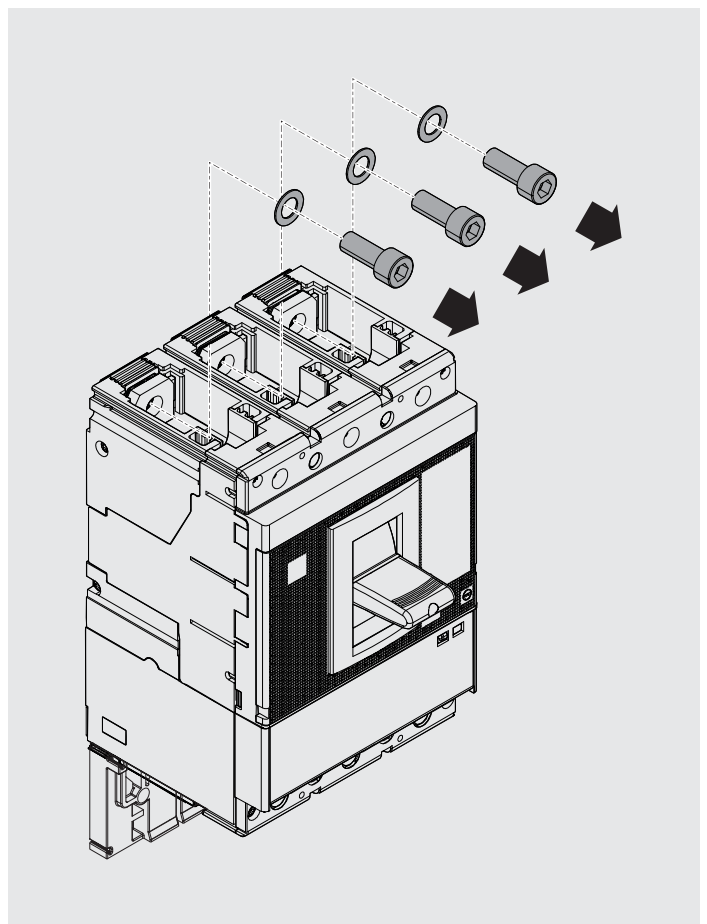
7

Example for supply from lower terminals, $\geq 500V - F$

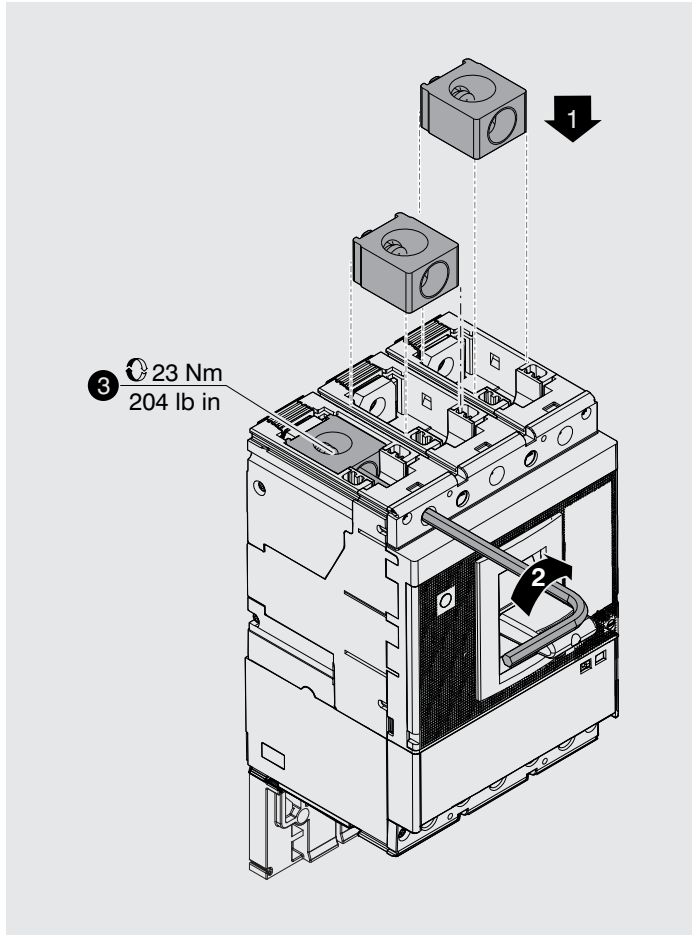


8

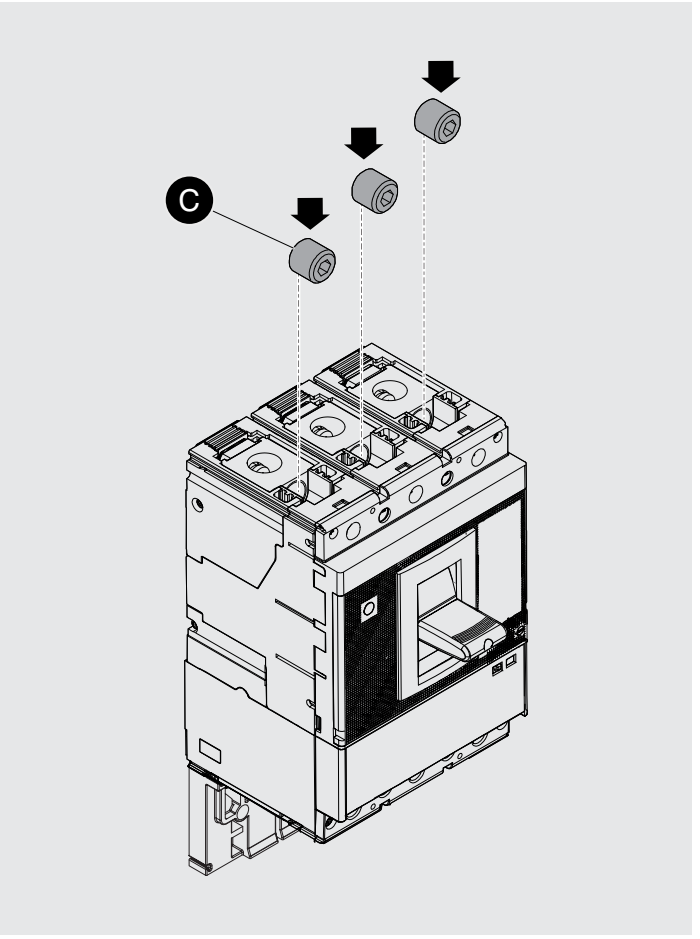
Example for supply from lower terminals, $\geq 500V - F$



9 Example for supply from lower terminals, $\geq 500V - F$



10 Example for supply from lower terminals, $\geq 500V - F$



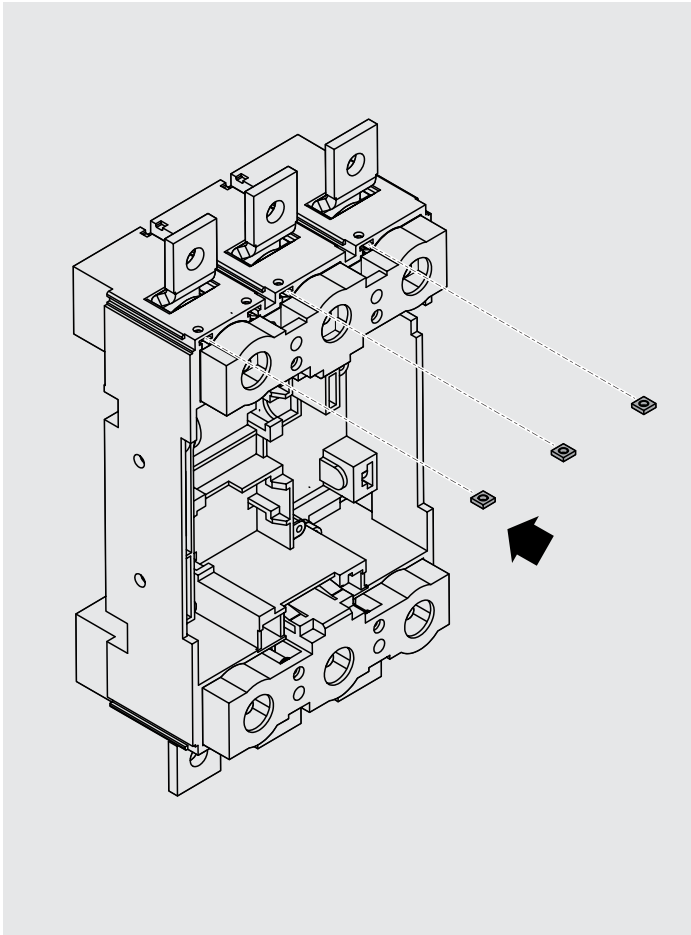
11

F

	Cu-Al Stranded	Cu-Al Flexible	
UL	MAX 500 kcmil MIN 4/0 AWG	XXXX	23 Nm / 204 lb in
	MAX 240mm ² MIN 120mm ²	XXXX	23 Nm / 204 lb in

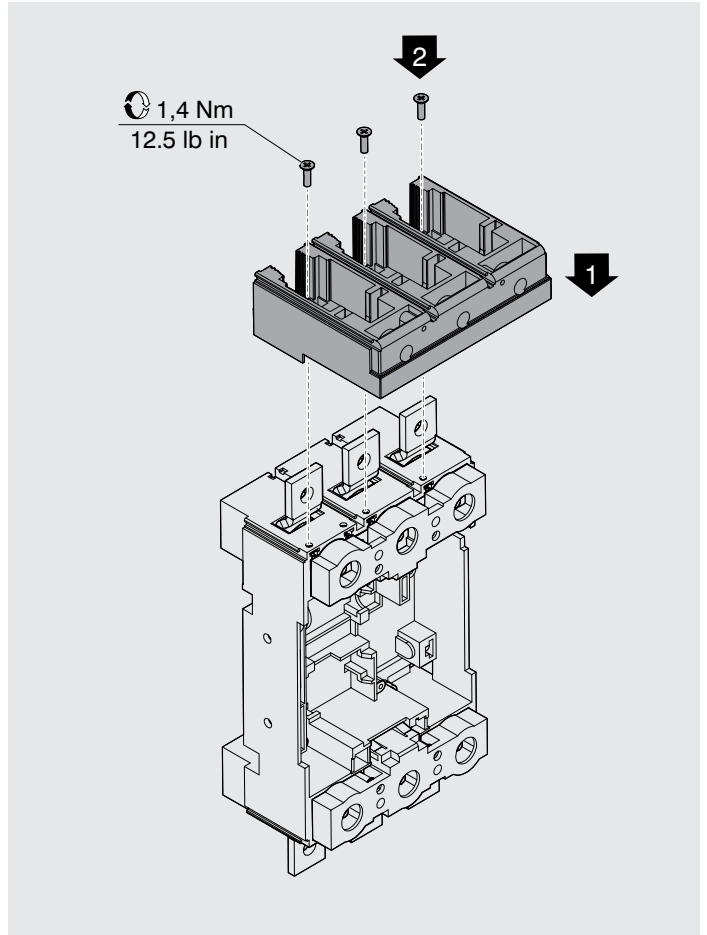
12

P - W



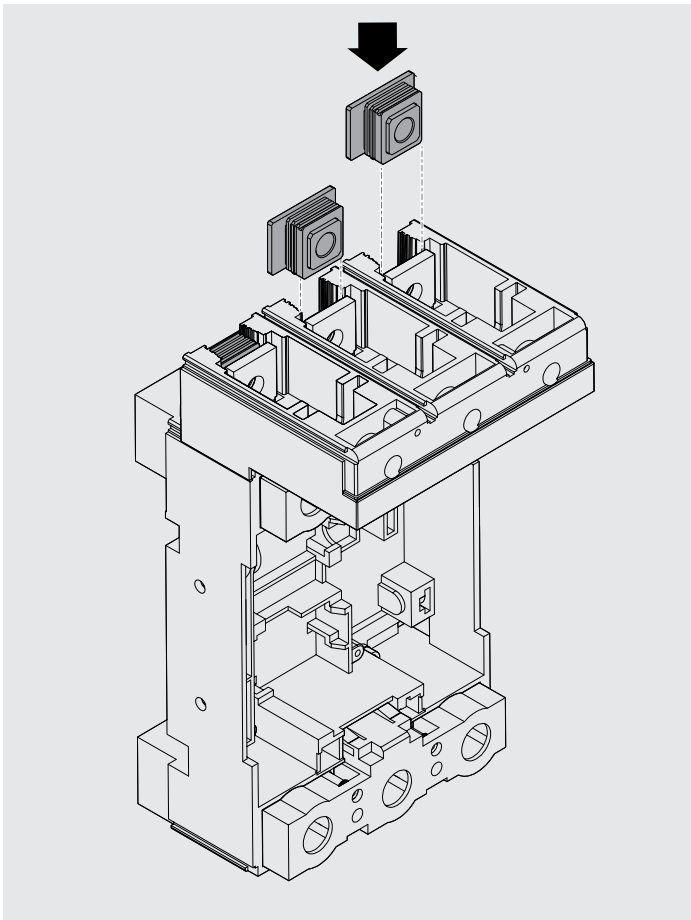
13

P - W



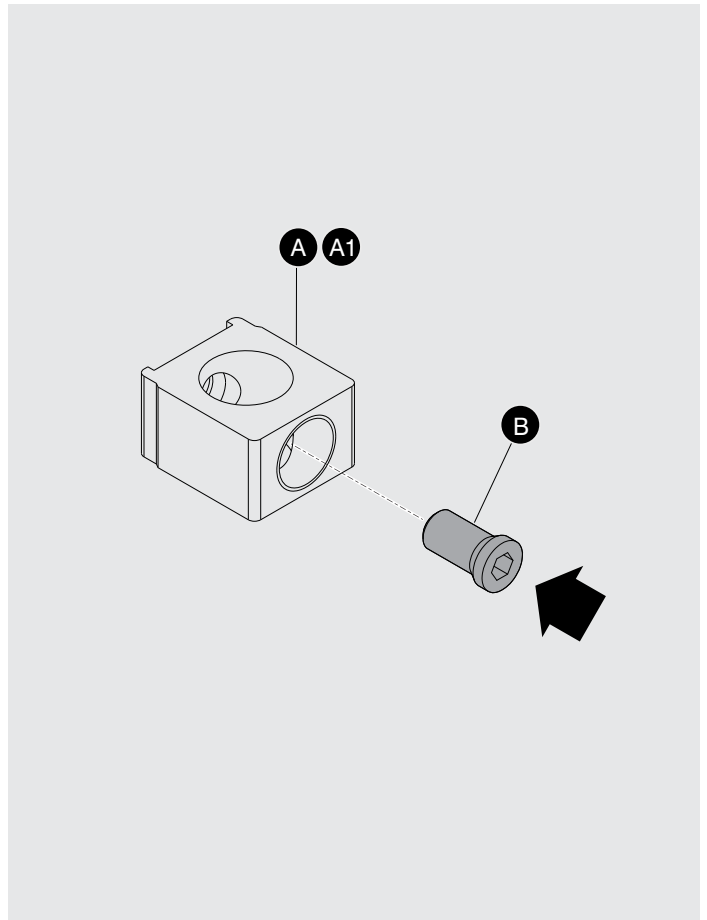
14

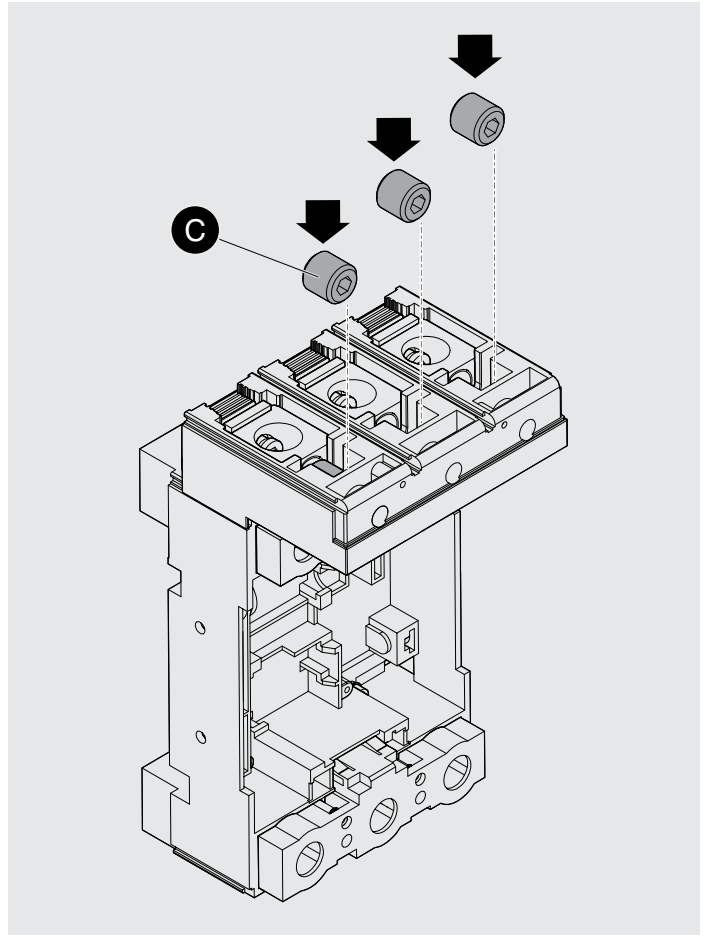
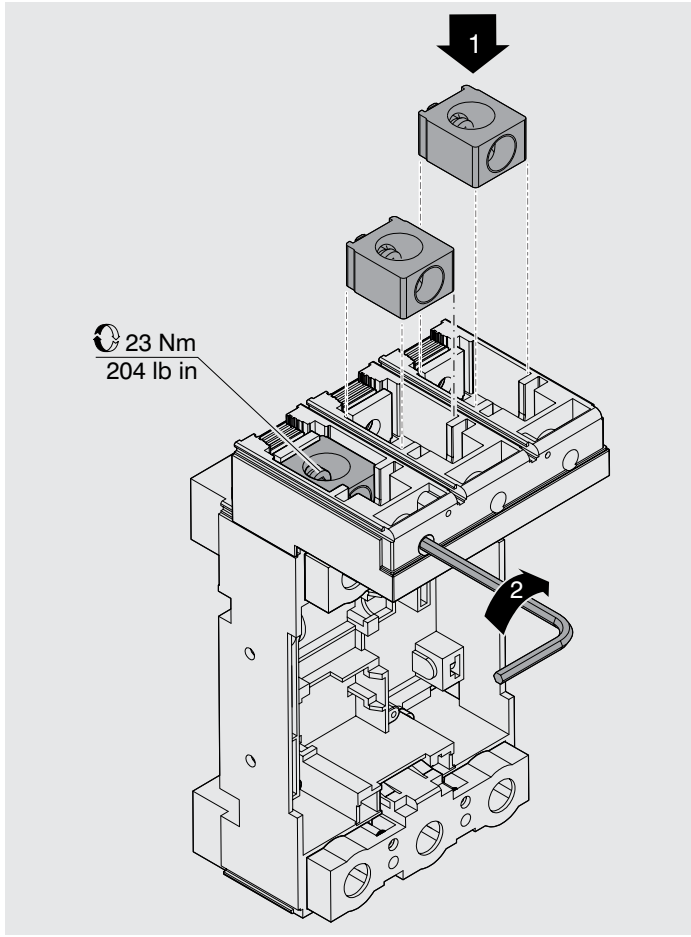
P - W



15

P - W





min 28
min 1.1"

Ø max 21,5
dia. max 0.85"

	Cu-Al Stranded	Cu-Al Flexible	
UL	MAX 500 kcmil	XXXX	23 Nm / 204 lb in
	MIN 4/0 AWG	XXXX	
	MAX 240mm ²	XXXX	23 Nm / 204 lb in
	MIN 120mm ²	XXXX	