

SACE Tmax XT

FC CuAl - Terminali anteriori per cavi in rame - alluminio 240mm² XT1-XT2-XT3-XT4

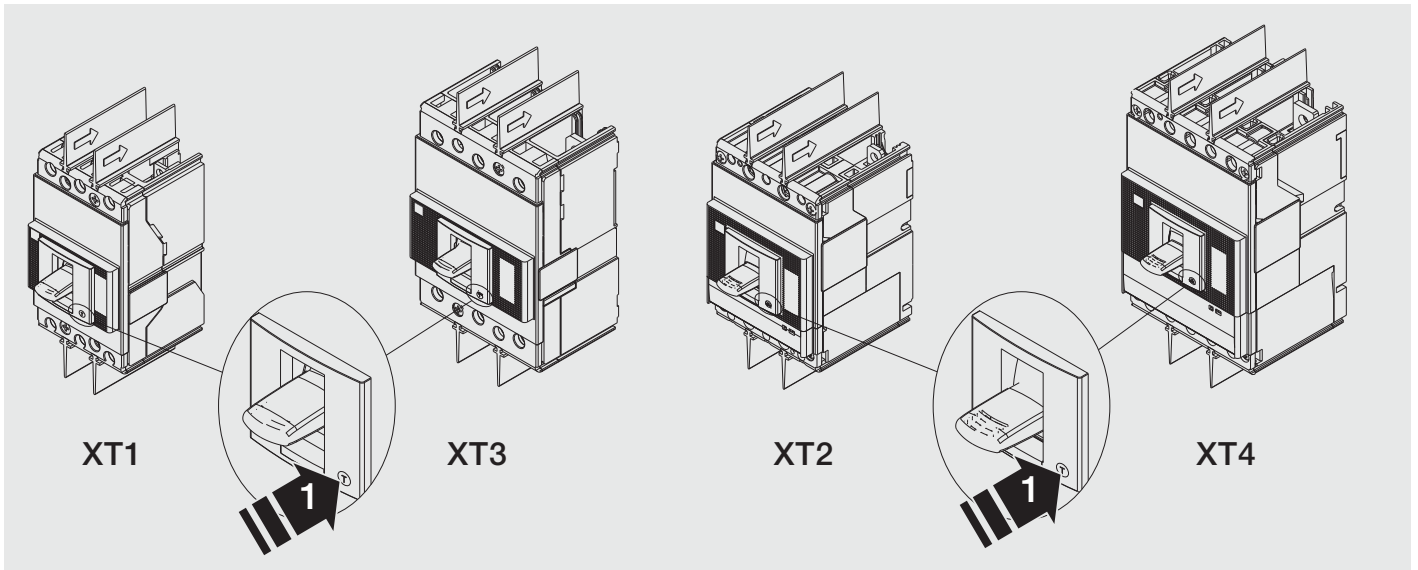
FC CuAl - Front terminals for copper-aluminum cables 240mm² XT1-XT2-XT3-XT4

FC CuAl - Vorderseitige Anschlüsse für Kabel aus Kupfer - Aluminium 240mm² XT1-XT2-XT3-XT4

FC CuAl - Prises avant pour câbles en cuivre - aluminium 240mm² XT1-XT2-XT3-XT4

FC CuAl - Terminales frontales para cables de cobre - aluminio 240mm² XT1-XT2-XT3-XT4

XT1-XT2-XT3-XT4



XT1							
	III	1(2)	1(2)	1(2)	/	/	/
	IV	/	/	/	1(2)	1(2)	1(2)

III	3(6)	3(6)	3(6)	2(4)	2(4)	2(4)	3(6)
IV	4(8)	4(8)	4(8)	3(6)	3(6)	3(6)	4(8)

XT2							
	III	1(2)	1(2)	1(2)	/	/	/
	IV	/	/	/	1(2)	1(2)	1(2)

XT1-XT2-XT3-XT4

III	1(2)	1(2)	1(2)	/	/	/
IV	1(2)	/	/	1(2)	1(2)	1(2)

XT1			XT3		XT4			
	III	2		III		3(6)	III	3(6)
	IV	2		IV		4(8)	IV	4(8)

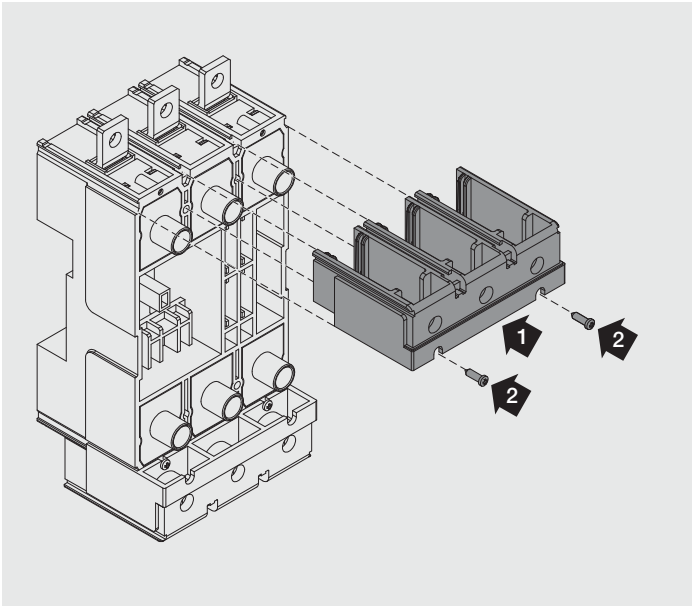
XT1-XT2-XT3-XT4

ON REQUEST
(P-W ONLY)

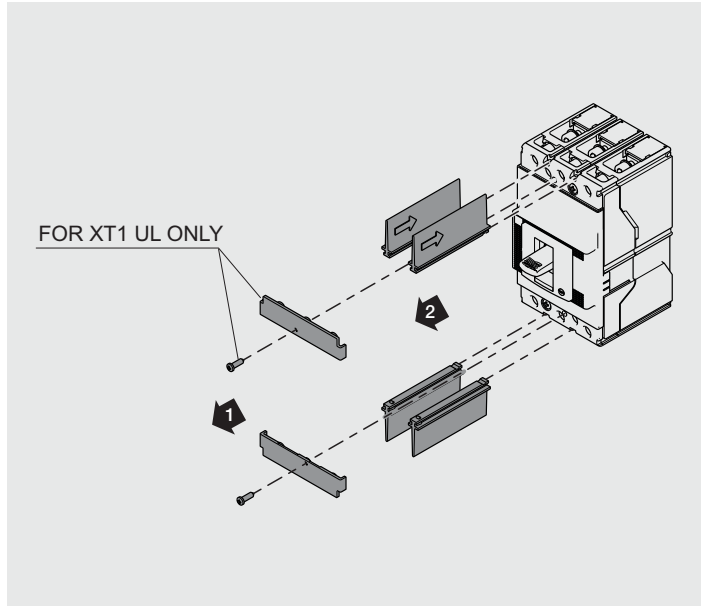
III	1(2)	/	2(4)
IV	/	1(2)	2(4)

A

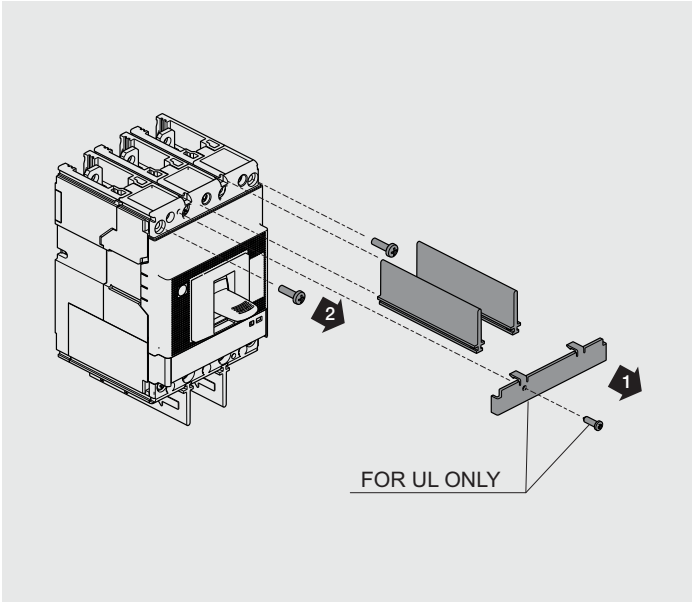
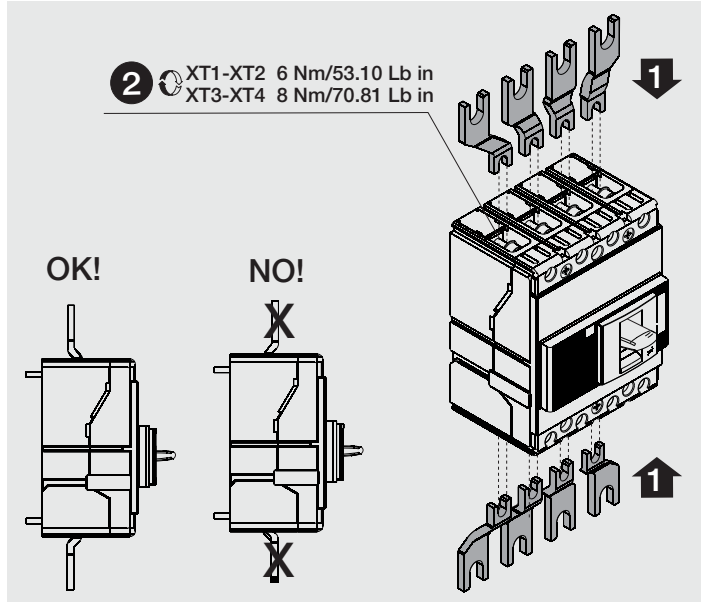
P-W ONLY

**B**

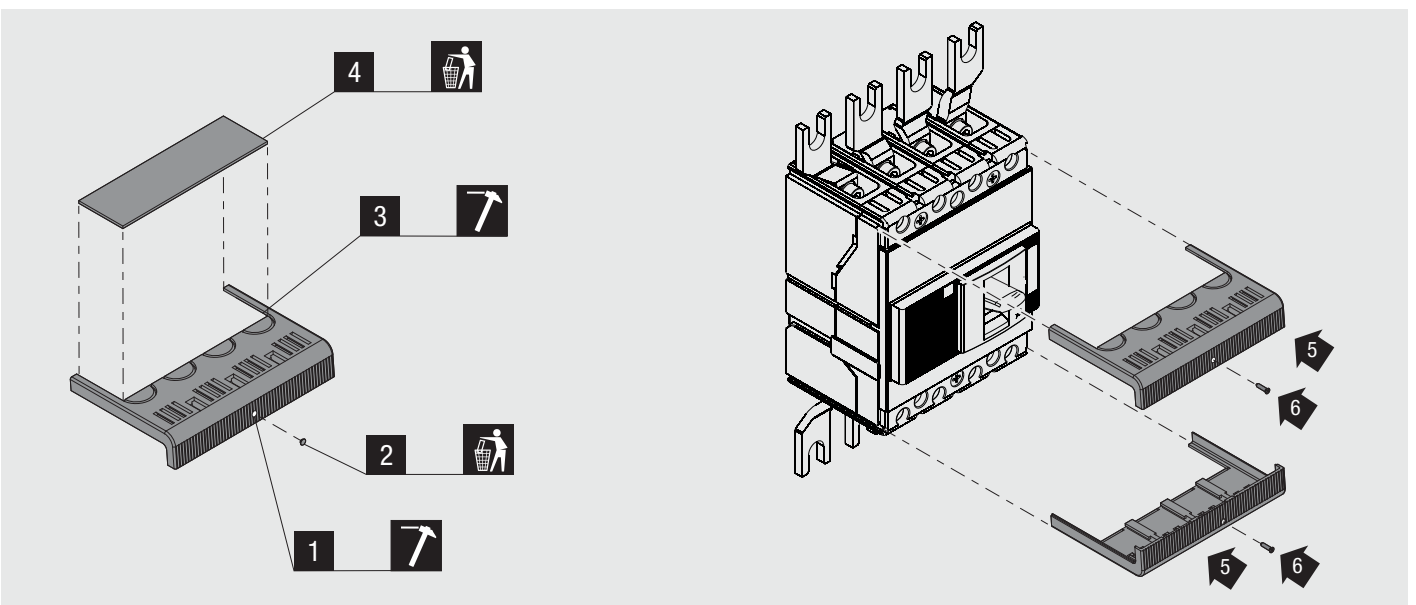
ONLY FOR XT1 F - XT3 F

**C**

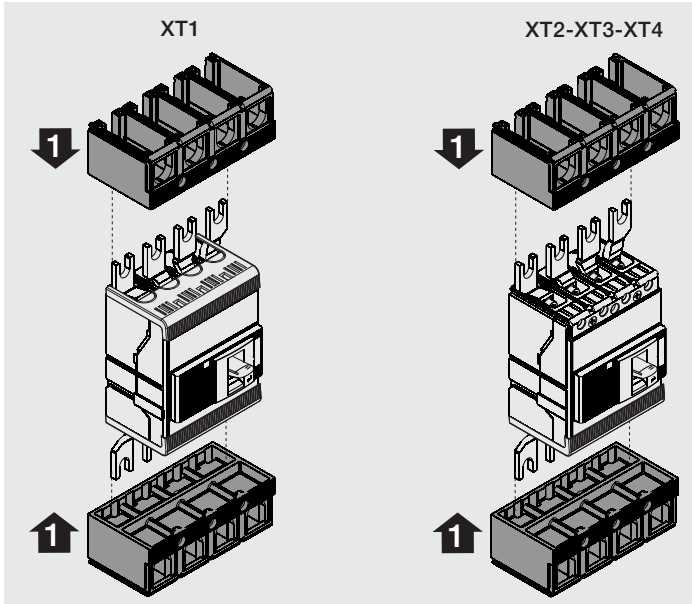
ONLY FOR XT2 F - XT4 F

**D****E**

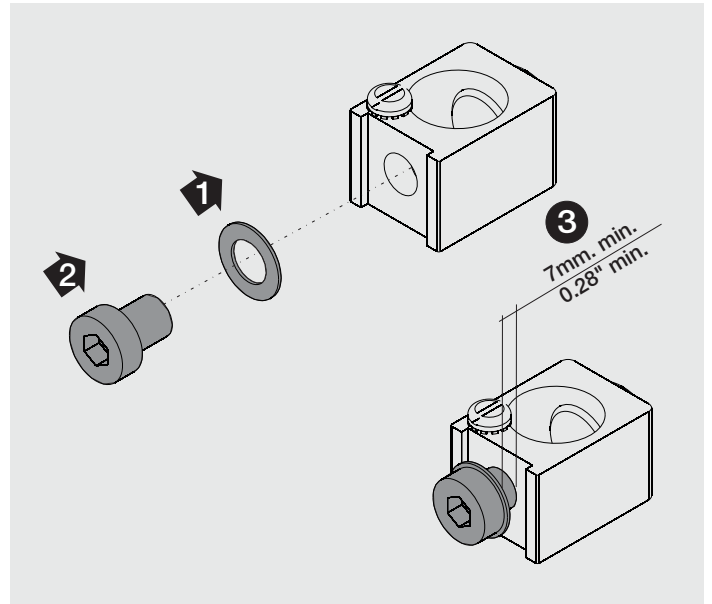
ONLY FOR XT1 F



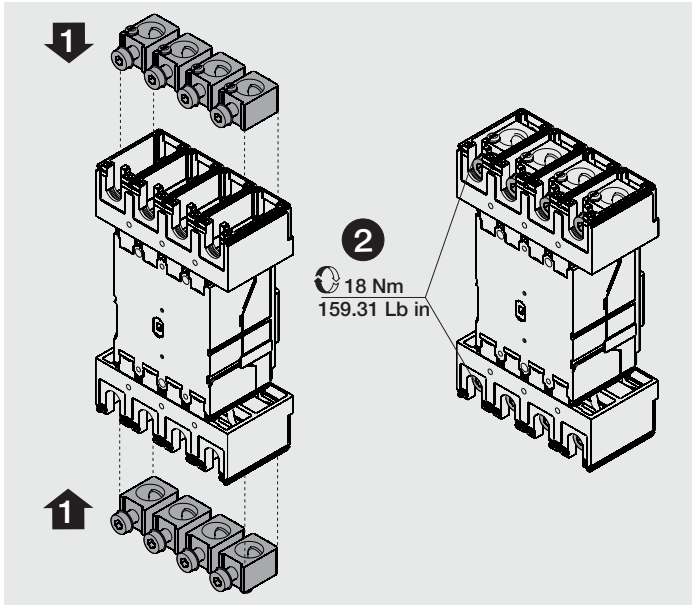
F



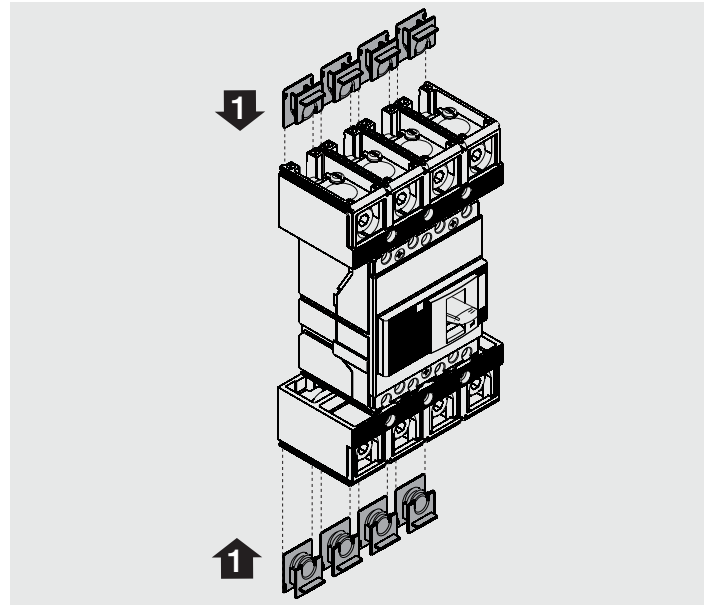
G



H



I

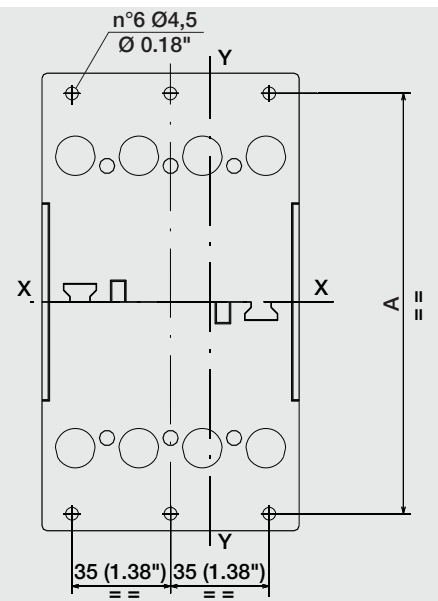
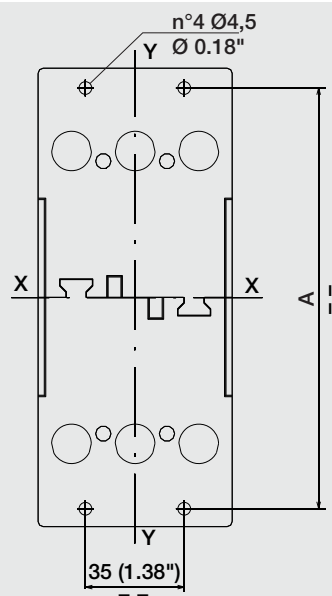


J

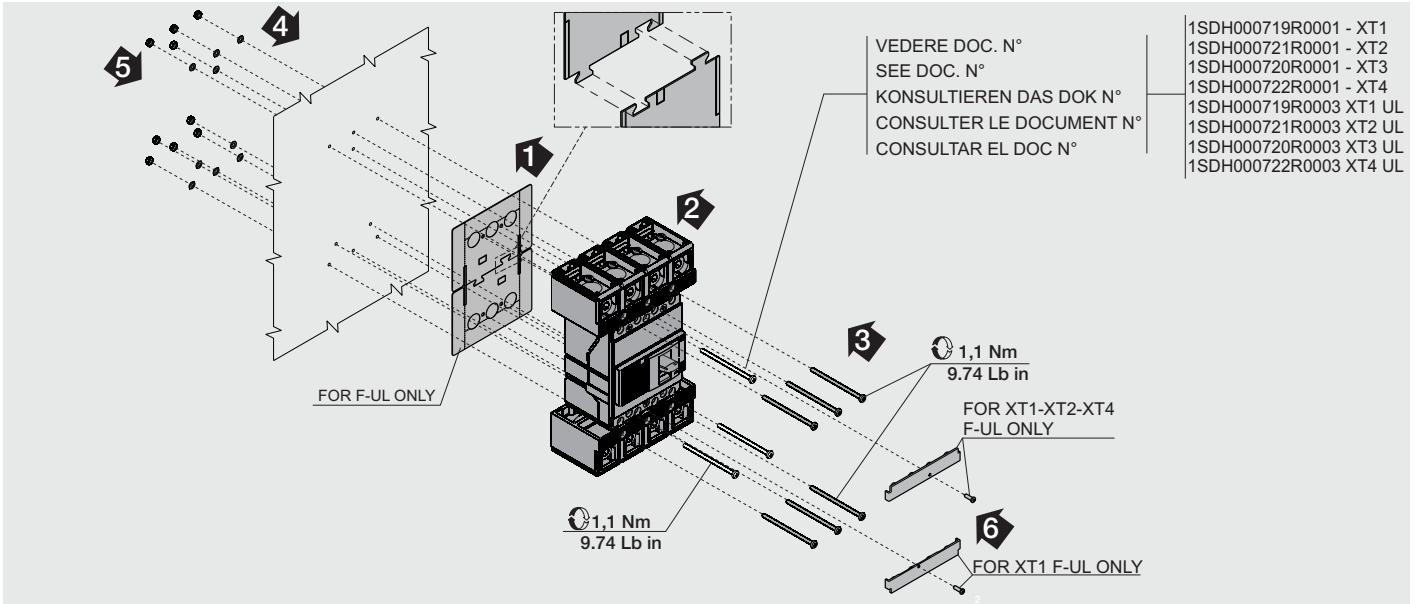
Forare la piastra di isolamento
 Make holes in the insulation plate
 Isolierplatte anbohren
 Percer la plaque d'isolation
 Taladrar la placa de aislamiento

ONLY FOR F

	A
XT1	153 (5.87")
XT2	149 (5.87")
XT3	169 (6.65")
XT4	179 (7.05")

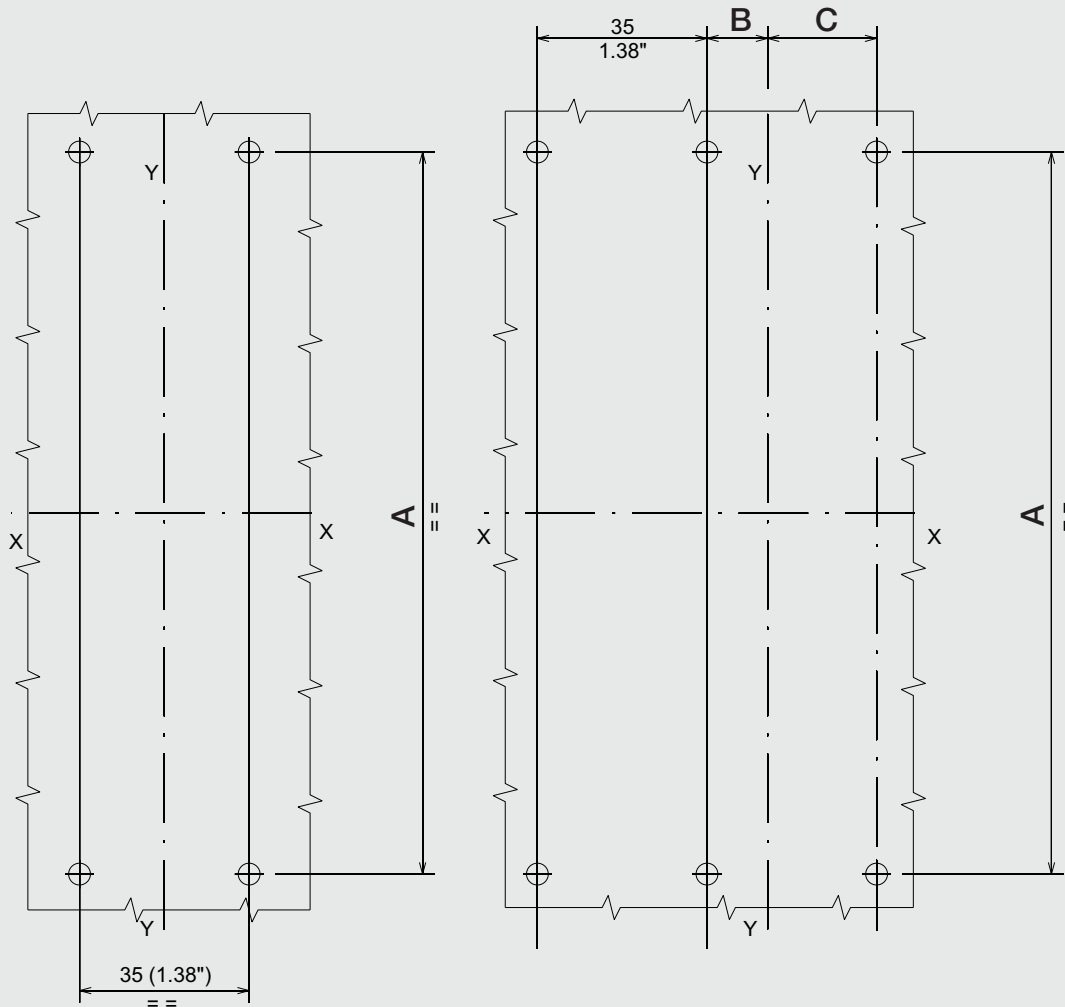


K



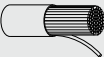


L

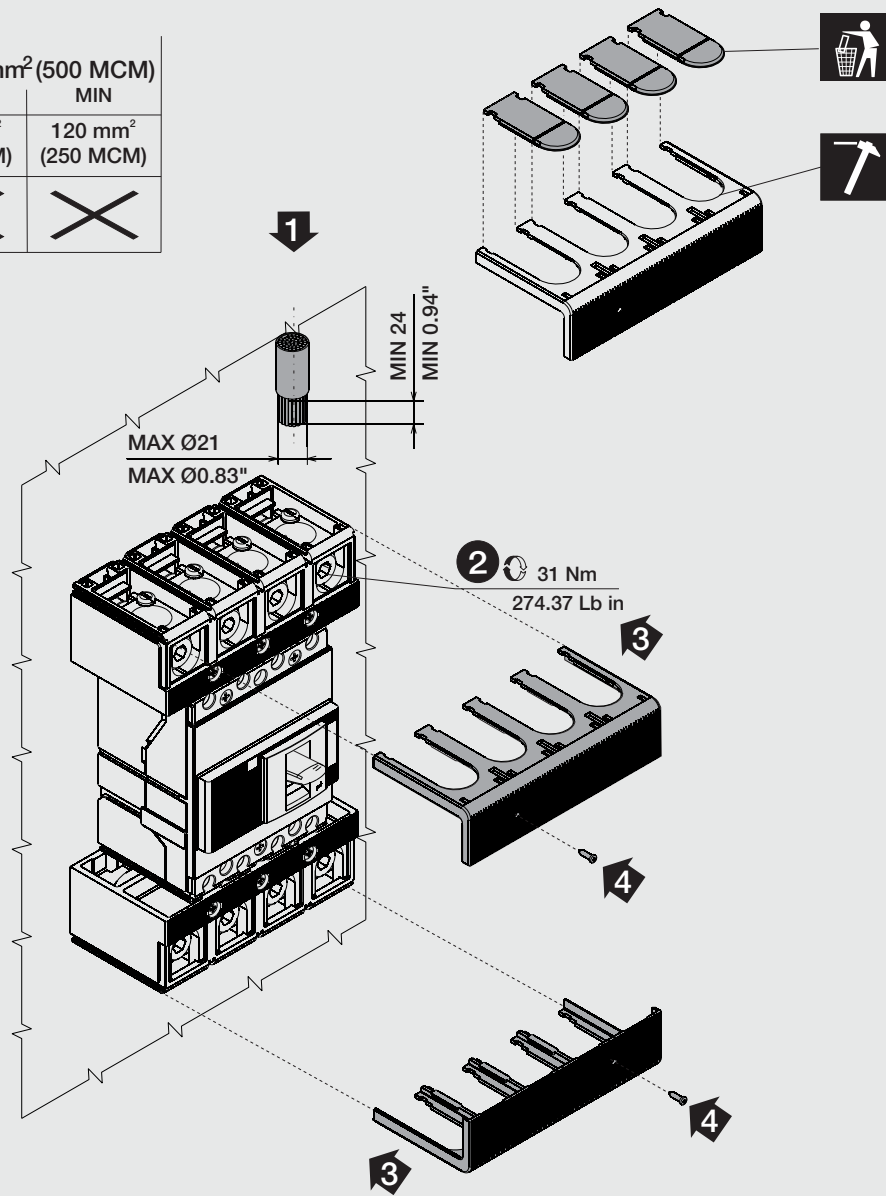
F-P-W



	A		B	C
	(F)	(P-W)		
XT1	153 (5.87")	200 (7.87")	12,5 (0.49")	22,5 (0.89")
XT2	149 (5.87")	207 (8.15")	15 (0.59")	20 (0.79")
XT3	169 (6.65")	244 (9.61")	17,5 (0.69")	17,5 (0.69")
XT4	179 (7.05")	247 (9.72")	17,5 (0.69")	17,5 (0.69")

M

		FC CuAl Ext 240mm ² (500 MCM)	
		MAX	MIN
Stranded		240 mm ² (500 MCM)	120 mm ² (250 MCM)
Flexible			



For more information please contact:
 ABB S.p.A.
 ABB SACE Division
 Via Pescaria, 5
 24123 Bergamo - Italy
 Phone: +39 035 395 111