

Contact us

ABB S.p.A.
Electrification Business
 Viale dell'Industria, 18
 20010 Vittuone (MI) Italy
<https://new.abb.com/low-voltage>



Warning! Installation by person with electrotechnical expertise only.
 Warnung! Installation nur durch elektrotechnische Fachkraft.
 Avvertenza! Fare installare solo da un elettricista qualificato.

July 2019
 2CSG445041D0201



QR Code for online User Manual.

© Copyright 2019 ABB S.p.A. All rights reserved. Specification subject to change without notice.

1. Packaging Content

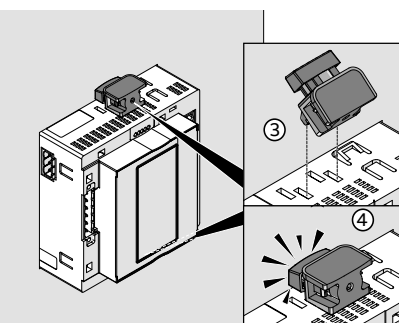
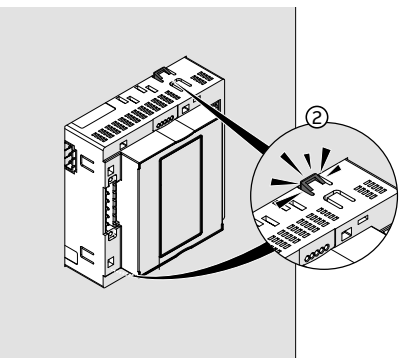
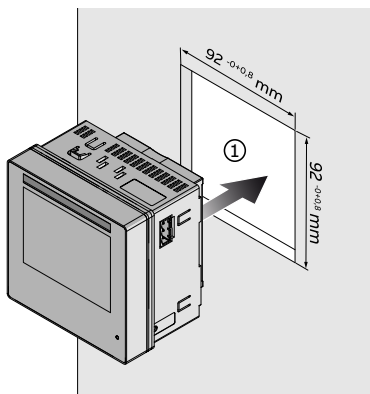
- Network analyzer M4M 30 Rogowski
- Installation manual
- Calibration certificate
- 2 mounting clips
- Removable terminals for wiring



Please note that M4M Rogowski can only be used with ABB R4M-80 and ABB R4M-200 Rogowski coils.

2. Mounting

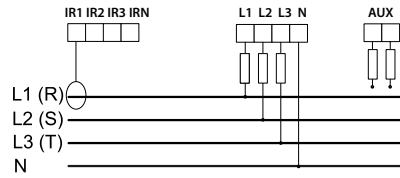
2.1. Assembly



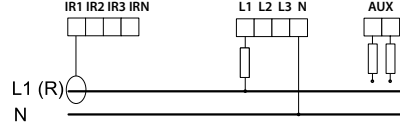
Finalize the installation through removable terminals.



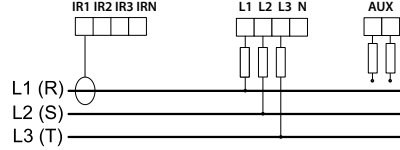
3-phase 4-wire network with 1RogCT



1-phase 2-wire network with 1RogCT



3-phase 3-wire network with 1RogCT

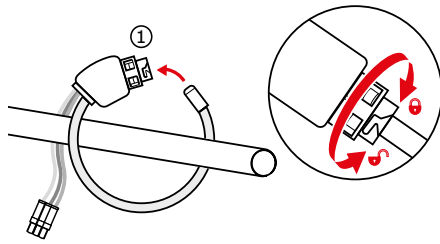


Network analyzer

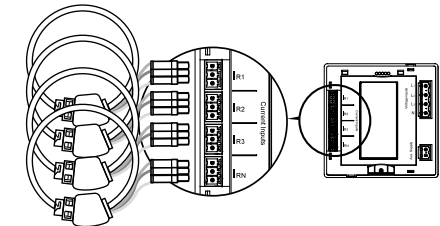
INSTALLATION MANUAL

M4M 30 Rogowski

2.2. Rogowski coil mounting

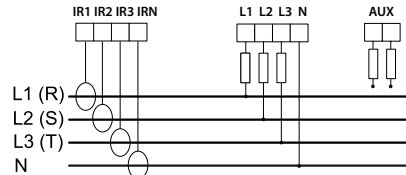


2.3. Rogowski coil connection

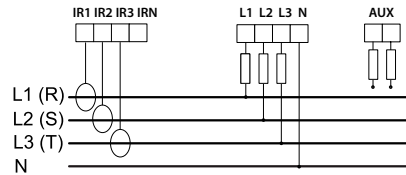


2.4. Wiring Diagram

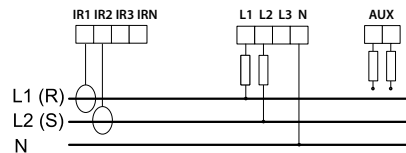
3-phase 4-wire network with 4RogCTs



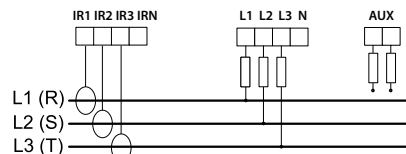
3-phase 4-wire network with 3RogCTs



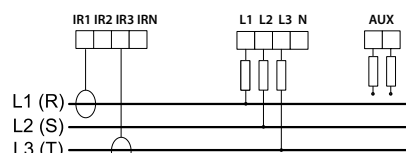
2-phase 3-wire network with 2RogCTs



3-phase 3-wire network with 3RogCTs



3-phase 3-wire network with 2RogCTs



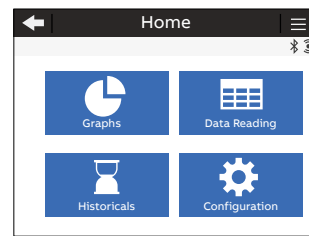
3. Symbol instructions

Button	Function
	Shortcut to Home/Favorite/Notifications pages.
	Return to the previous page.
	Increase or decrease the value. Keeping pressed will increase the speed of the number variation.
	Move cursor up or down.

3.1. Instruction

Icon	Action
	Press this button

4. Access to device



Access to device is done through touch screen. The home page is divided in four sections:

Sections	Description
Graphs	Graphical representation of the main parameters;
Data Reading	Value of the main parameters.
Historicals	Values recorded in the flash memory.
Configuration	Setup of the device.

5. First Commissioning

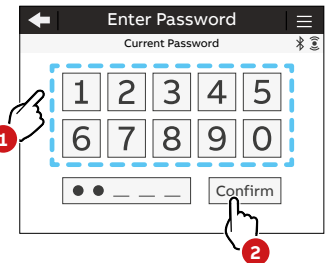
To start to use the analyzer it is mandatory to configure the basic setting (password, language, type of network and VT ratio).



No transformation ratio has to be set for Rogowski coils on M4M 30 Rogowski.

4.1. Setting password

The password is composed by 5 numerical characters. After entering the password it is needed to press **Confirm**.



Default password is 00000. At first use, the password shall be defined. In order to disable the password, please enter 00000.

4.2. Setting language



HOME → Configuration → Unit → Language

Select the desired language for the display among the ones available.

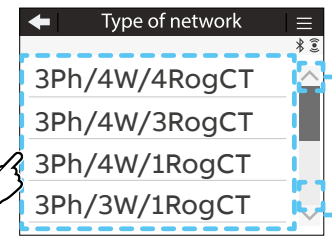
4.3. Type of network

Select the type of network among the following ones



HOME → Configuration → Installation → Type of network

Parameter	Description
3Ph/4W/4RogCT	3-phase 4-wire+4RogCTs
3Ph/4W/3RogCT	3-phase 4-wire+3RogCTs
3Ph/4W/1RogCT	3-phase 4-wire+1RogCT
3Ph/3W/1RogCT	3-phase 3-wire+1RogCT
3Ph/3W/3RogCT	3-phase 3-wire+3RogCTs
3Ph/3W/2RogCT	3-phase 3-wire+2RogCTs
2Ph/3W/2RogCT	2-phase 3-wire+2RogCTs
1Ph/2W/1RogCT	1-phase 2-wire+1RogCT

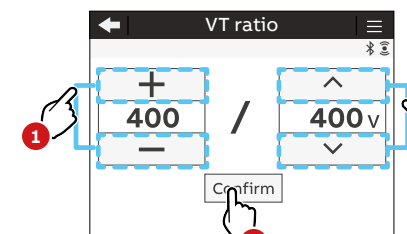


4.4. Voltage Transformer ratio

Enter the voltage transformer ratio (both primary and secondary) manually with + or -



HOME → Configuration → Installation → VT ratio



In case of direct insertion, 400/400V value shall be used.

