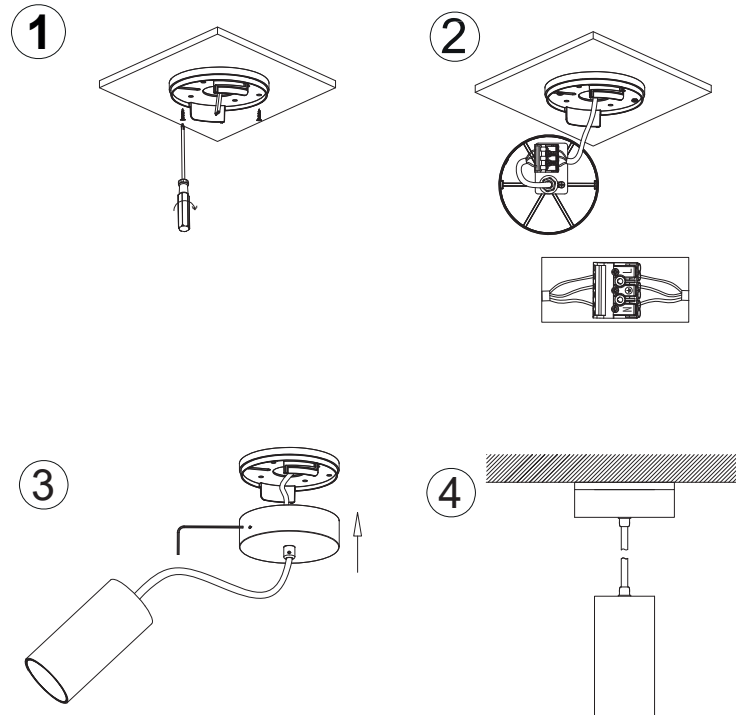


ANETA LIGHTING

LIGHTS FOR HOME AND WORK SINCE 1947

SWAN PENDEL SPOT 71251

www.aneta.no
www.aneta.se



NO: Dette produktet inneholder en lyskilde med energieffektivitetsklasse C.

Diodelyskilden i armaturen er ikke utskiftbar, når lyskildens levetid er slutt skal hele armaturen byttes. L70 levetid 80 000 timer ≈ 27 år (8 timer/dag)

SE: Denna produkt innehåller en ljuskälla med energieffektivitetsklass C.

Lysdioden i armaturen är inte utbytbar, när ljuskällans livstid är slut ska hela armaturen bytas. L70 livstid 80 000 tim ≈ 27 år (8 tim/dag)

FI: Tämä tuote sisältää valonlähteen, jonka energiatehokkuusluokka on C.

Valaisimen valolähde ei ole vaihdettavissa. Kun valolähteen elinkaari on loppu niin koko valaisin on vaihdettava.

L70 lifetime 80 000 tuntia ≈ 27 vuotta (8 t/päivä)

EN: This product contains a light source of energy efficiency class C.

The diode lamp of this luminaire is not replaceable; when the light source reaches its end of life the whole luminaire shall be replaced.

L70 lifetime 80 000 h ≈ 27 years (8 h/day)

Light Source :

Luminus Devices

TYF/PH19171212FLA3039-H3-L-F0Y0T1

Lighting technology used: LED

Mains or non-mains: non-mains

Directional or non-directional: directional

Connected L.S.: no

Color-tunable: no

Envelope: second

High luminance: yes

Anti-glare shield: no

Dimmable: yes

Energy consumption in on-mode:11,25 kWh / 1000 h

Energy efficiency class (A-G): C

Useful luminous flux:..... 1730 lm

CCT colour temperature:..... 3000 K

On-mode power: 14 W

Stand-by power: 0 W

Networked standby power: 0 W

CRI: ≥ 90

R9 color rendering index: 50

Chromaticity coordinates: x:0.434, y:0.409

Lumen maintenance factor: 0,95

Survival factor: 0,9

Measures: 19x19x1mm

* The luminous flux stated here is the value for the light source itself in accordance with Regulation (EU) 2019/2015. On the box the luminous flux for the lighting fitting is stated, where the light is partly absorbed by glass/glare shield/shade and parts of the fitting, why it is lower than for the light source.