

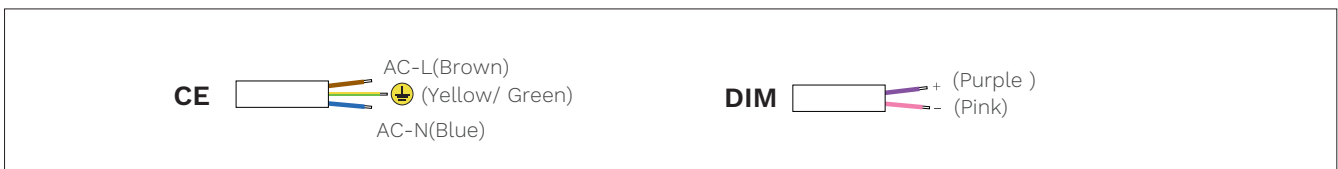
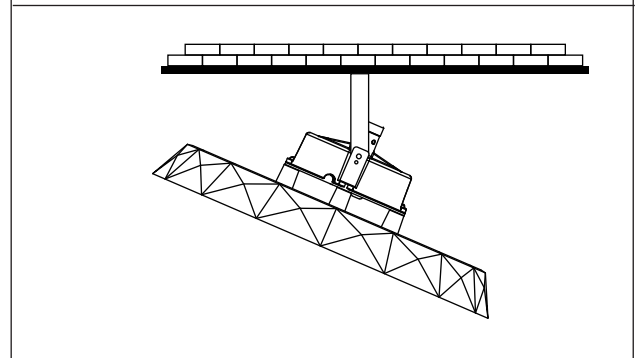
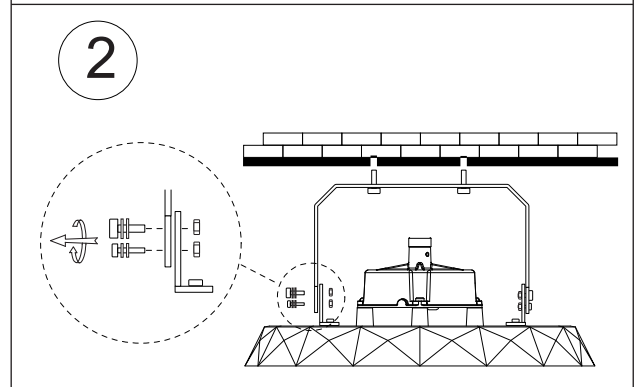
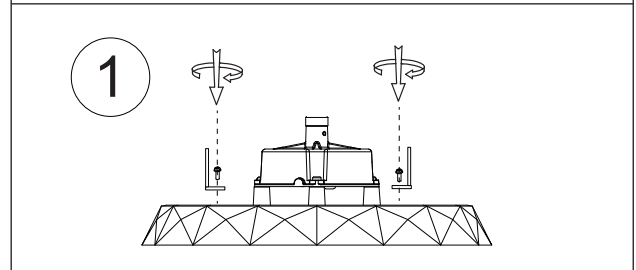
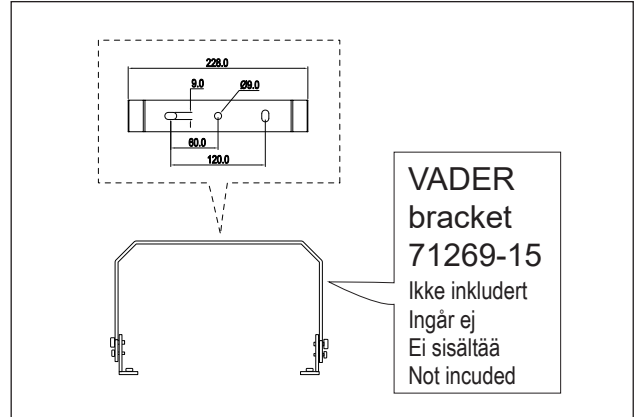
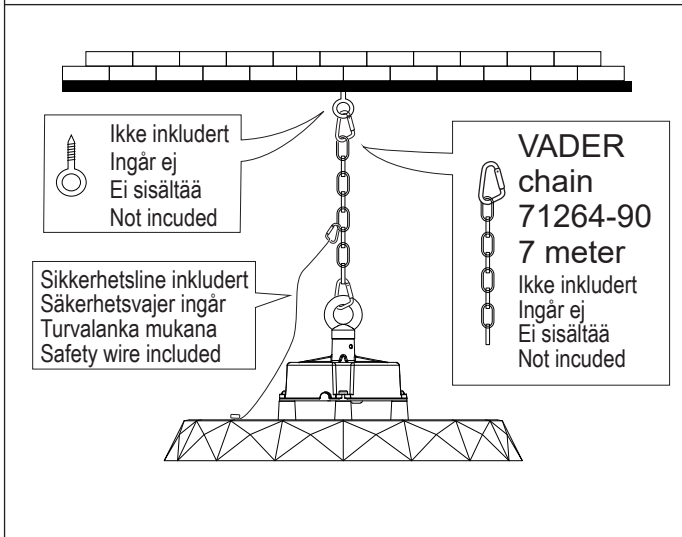
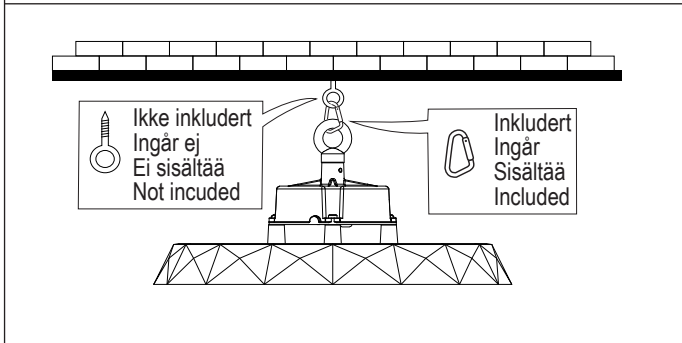
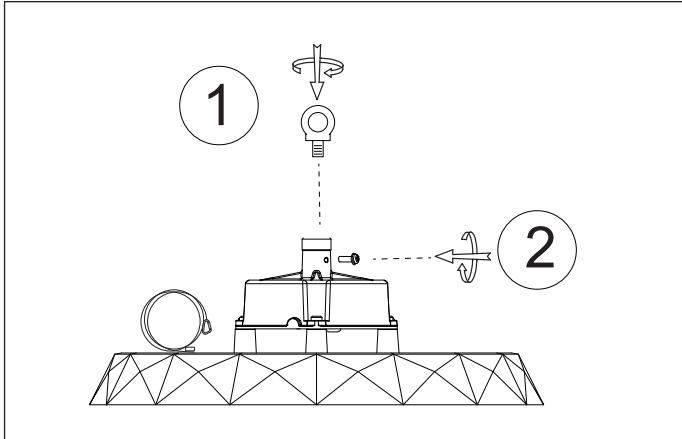
VADER UFO highbay

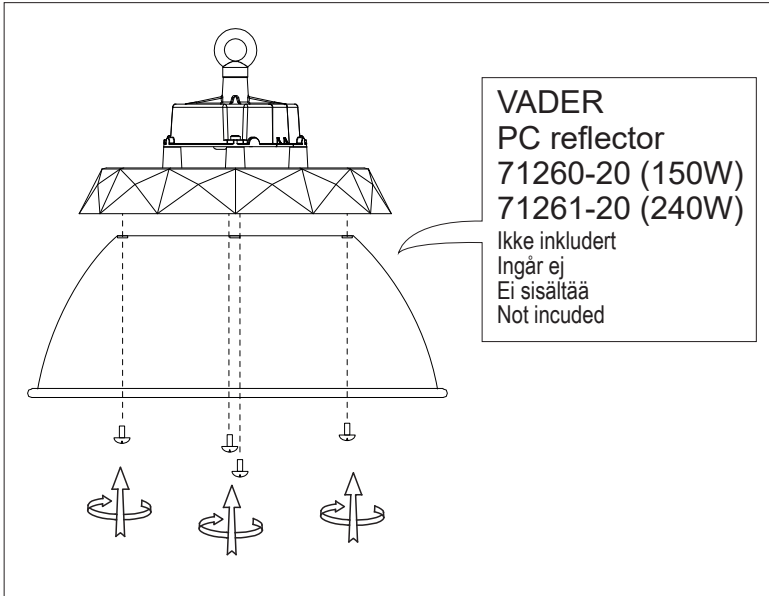
VADER UFO highbay 150W 71262-15

VADER UFO highbay 240W 71263-15

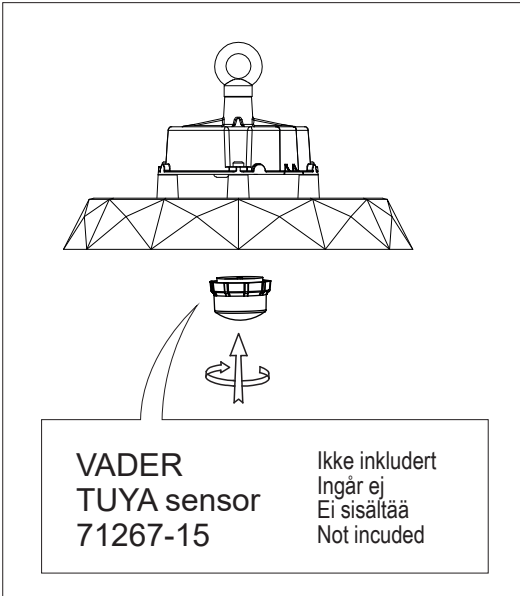
ANETA LIGHTING

LIGHTS FOR HOME AND WORK SINCE 1947

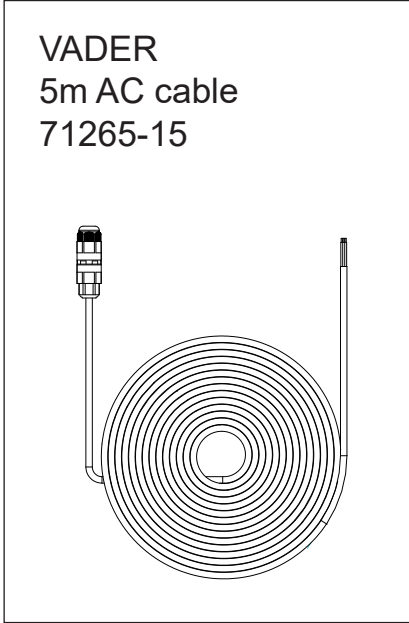




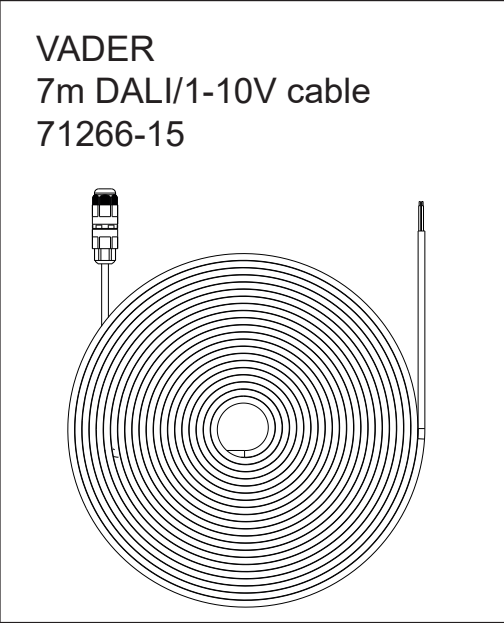
**VADER
PC reflector
71260-20 (150W)
71261-20 (240W)**
Ikke inkludert
Ingår ej
Ei sisältää
Not included



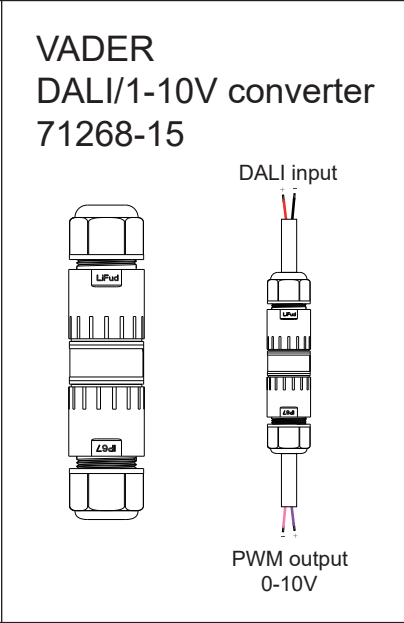
**VADER
TUYA sensor
71267-15**
Ikke inkludert
Ingår ej
Ei sisältää
Not included



**VADER
5m AC cable
71265-15**



**VADER
7m DALI/1-10V cable
71266-15**



**VADER
DALI/1-10V converter
71268-15**

71262	NO: Dette produktet inneholder en lyskilde med energieffektivitetsklasse B. SE: Denna produkt innehåller en ljuskälla med energieffektivitetsklass B.	FI: Tämä tuote sisältää valonlähteen, jolla on energiatehokkuusluokka B. EN: This product contains a light source of energy efficiency class B.
<p>Light Source data (1 pce): Lighting technology used:LED Mains or non-mains:non-mains Directional or non-directional:directional Connected L.S.:no Color-tuneable:no Envelope:second High luminance:yes Anti-glare shield:no Dimmable:yes (1-10V)</p>	<p>Energy consumption in on-mode: .142 kWh / 1000 h Energy efficiency class (A-G): B Useful luminous flux:.....25000lm CCT colour temperature:.....4000K SDCM:< 3 On-mode power:143W Stand-by power:N/A Networked standby power:N/A</p>	<p>CRI:≥ 80 R9 color rendering index:2 Chromaticity coordinates (X, Y): ... x=0,380 y=0,380 Lifetime L₇₀B₅₀:100 000 hours Lumen maintenance factor:>0.85 Survival factor:>0.9</p>
71263	NO: Dette produktet inneholder en lyskilde med energieffektivitetsklasse B. SE: Denna produkt innehåller en ljuskälla med energieffektivitetsklass B.	FI: Tämä tuote sisältää valonlähteen, jolla on energiatehokkuusluokka B. EN: This product contains a light source of energy efficiency class B.
<p>Light Source data (1 pce): Lighting technology used:LED Mains or non-mains:non-mains Directional or non-directional:directional Connected L.S.:no Color-tuneable:no Envelope:second High luminance:yes Anti-glare shield:no Dimmable:yes (1-10V)</p>	<p>Energy consumption in on-mode: .228 kWh / 1000 h Energy efficiency class (A-G): B Useful luminous flux:.....40000lm CCT colour temperature:.....4000K SDCM:< 3 On-mode power:228 W Stand-by power:N/A Networked standby power:N/A</p>	<p>CRI:≥ 80 R9 color rendering index:14 Chromaticity coordinates (X, Y): ... x=0,380 y=0,380 Lifetime L₇₀B₅₀:100 000 hours Lumen maintenance factor:>0.85 Survival factor:>0.9</p>