

## connector - with screwless terminals



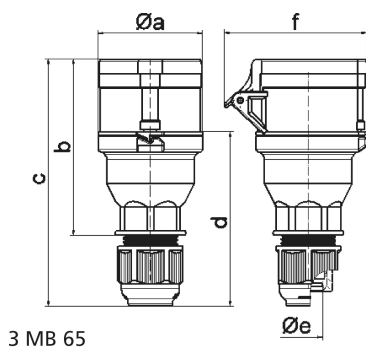
Product description	
BALS-Prd.-Nr	3136
EAN	4024941031363
Product group	Quick-Connect connector Multi-Grip cable gland
Current	16A
Number of poles	5p
Arrangement of the phases	3P+N+PE
Earth 'clock' position	6 h
Voltage	200/346 up to 240/415V
Frequency	50 and 60Hz

Product description	
Protection degree	IP44
Colour code	red
Colour of appliance	Housing cover red, Collar red, Hinged lid red, Cable gland grey
Connection design	screwless spring terminals as cage clamp with Kontext-contact
Maximum conductor size	2,5 qmm
Cable entry	Cable gland
Height	157mm
Width	71mm
Depth	91mm
Material of enclosure	Polyamide
Contacts	The contact carrier is made of polyamide, The contacts are brass

Additional technical information	
	Multi-Grip cable gland with gasket and integrated strain relief, Screwless housing connection with snap fastening, For cable diameter from 8 up to max. 18 mm

Logistics data	
Weight/pcs	0.196 kg / piece
Packaging	carton
Content amount	10 ST
EAN	4024941969802

Logistics data	
Length	245 mm
Width	177 mm
Height	185 mm
Weight	2.093 kg
Volume	7,140 ccm



3 MB 65

Ampere	16	16	16	32	32	32
Polzahl	3	4	5	3	4	5
a ø	53,0	60,0	66,0	74,5	74,5	74,5
b	100,5	112,5	113,5	133,5	133,5	134,5
c	141,0	153,0	154,0	186,0	186,0	187,0
d	97,5	104,5	105,5	127,5	127,5	128,5
e ø	18,0	18,0	18,0	23,0	23,0	23,0
f	76,0	79,0	86,0	92,0	92,0	97,0
Leiter mm <sup>2</sup> min	1	1	1	2,5	2,5	2,5
Leiter mm <sup>2</sup> max	2,5	2,5	2,5	6	6	6