

wall mounting socket outlet - housing dimensions 170x90

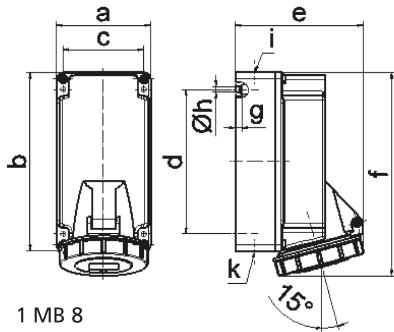


| Product description | |
|-------------------------------|--|
| BALS-Prd.-Nr | 11630 |
| EAN | 4024941116305 |
| product category (PG) | TE wall mounting socket outlet Quick-Connect |
| current (A) | 16A |
| number of poles (P99) | 4p |
| number of poles (P) | 3P+PE |
| position of earth contact (H) | 9 h |
| voltage (V) | 200 up to 250V |
| frequency (HZ) | 50 and 60Hz |

| Product description | |
|-----------------------------|--|
| protection degree (SA) | IP67 |
| colour code 1 (KF1) | blue RAL 5015 |
| Colour of appliance | Hinged lid blue, Bayonet ring grey, Housing bottom grey, Housing top grey |
| connection design (AT) | screwless spring terminals as cage clamp with Kontext-contact |
| maximum conductor size (LQ) | 4,0 qmm |
| cable entry (KE) | top entry M20, bottom entry M25/20 |
| Height | 194mm |
| Width | 90mm |
| Depth | 115mm |
| dimension of enclosure (GG) | 170x90 mm (HxW) |
| material of enclosure (GM) | Polycarbonate |
| contact | The contact carrier is made of high temperature resistant material, the contacts are brass nickel plated |

| Logistics data | |
|----------------|-----------------|
| Weight/pcs | 0.42 kg / Piece |
| Packaging | Carton |
| Content amount | 1 ST |
| EAN | 4024941116305 |
| Length | 205 mm |
| Width | 102 mm |

| Logistics data | |
|----------------|--------------|
| Height | 134 mm |
| Weight | 0.48 kg |
| Volume | 2,118.48 ccm |



1 MB 8

| Ampere | 16 | 16 | 16 | | | |
|----------------------------|--------|--------|--------|--|--|--|
| Polzahl | 3 | 4 | 5 | | | |
| a | 90,0 | 90,0 | 90,0 | | | |
| b | 170,0 | 170,0 | 170,0 | | | |
| c | 77,0 | 77,0 | 77,0 | | | |
| d | 137,5 | 137,5 | 137,5 | | | |
| e | 108,0 | 115,0 | 122,0 | | | |
| f | 191,5 | 191,5 | 195,0 | | | |
| g | 6,5 | 6,5 | 6,5 | | | |
| h ø | 5,5 | 5,5 | 5,5 | | | |
| i | M20 | M20 | M20 | | | |
| k | M20/25 | M20/25 | M20/25 | | | |
| Leiter mm ² min | 1,5 | 1,5 | 1,5 | | | |
| Leiter mm ² max | 4 | 4 | 4 | | | |