

plug - with TE screw terminals, for harsh applications



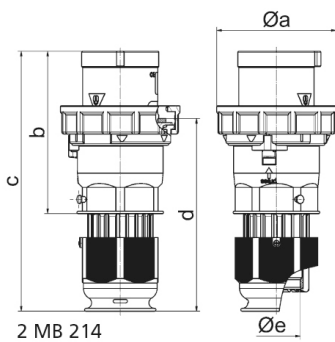
| Product description | |
|-------------------------------|-------------------------------------|
| BALS-Prd.-Nr | 2194 |
| EAN | 4024941021944 |
| product category (PG) | TE plug with Multi-Grip cable gland |
| current (A) | 125A |
| number of poles (P99) | 4p |
| number of poles (P) | 3P+PE |
| position of earth contact (H) | 9 h |
| voltage (V) | 200 up to 250V |
| frequency (HZ) | 50 and 60Hz |

| Product description | |
|-----------------------------|--|
| protection degree (SA) | IP67 |
| colour code 1 (KF1) | blue RAL 5015 |
| Colour of appliance | Pusher grey, Collar blue, Bayonet ring grey, Housing cover grey, Cable gland grey |
| connection design (AT) | screw terminal as box terminal |
| maximum conductor size (LQ) | 50.0 qmm |
| cable entry (KE) | Cable gland |
| Height | 282mm |
| Width | 126mm |
| Depth | 126mm |
| material of enclosure (GM) | Polyamide |
| contact | The contact carrier is made of high temperature resistant material, the contacts are brass nickel plated |

| Additional technical information | |
|----------------------------------|--|
| | For cable diameter from 26 up to max. 50 mm, Screwless housing connection, Multi-Grip cable gland with gasket, integrated cable clamp and additional water evacuation openings |

| Logistics data | |
|----------------|------------------|
| Weight/pcs | 1.135 kg / Piece |
| Packaging | Bag |
| Content amount | 1 ST |
| EAN | 4024941021944 |

| Logistics data | |
|----------------|---------------|
| Length | 126 mm |
| Width | 126 mm |
| Height | 282 mm |
| Weight | 1.136 kg |
| Volume | 4,477.032 ccm |
| Packaging | Carton |
| Content amount | 5 ST |
| EAN | 4024941818759 |
| Length | 345 mm |
| Width | 345 mm |
| Height | 217 mm |
| Weight | 6.01 kg |
| Volume | 24,276 ccm |



| Ampere | 125 | 125 | 125 | | | | |
|----------------------------|-------|-------|-------|--|--|--|--|
| Polzahl | 3 | 4 | 5 | | | | |
| a ø | 126,0 | 126,0 | 126,0 | | | | |
| b | 181,0 | 181,0 | 181,0 | | | | |
| c | 282,0 | 282,0 | 282,0 | | | | |
| d | 206,0 | 206,0 | 206,0 | | | | |
| e ø | 50,0 | 50,0 | 50,0 | | | | |
| Leiter mm ² min | 16 | 16 | 16 | | | | |
| Leiter mm ² max | 50 | 50 | 50 | | | | |
| | | | | | | | |
| | | | | | | | |
| | | | | | | | |
| | | | | | | | |