

800SA

**SURGE ARRESTER FOR 480TB,
484TB, 489TB, 800PB, 804PB
AND 809PB CONNECTOR**

APPLICATION

Surge arrester designed to protect 12, 24, 36 and 42 kV class components, including transformers, equipment, cable and accessories from high voltage surges resulting from lightning or switching. It has been designed to be used with the 480TB, 484TB and 489TB separable tee connectors.

DESIGN

Surge arrester comprising:

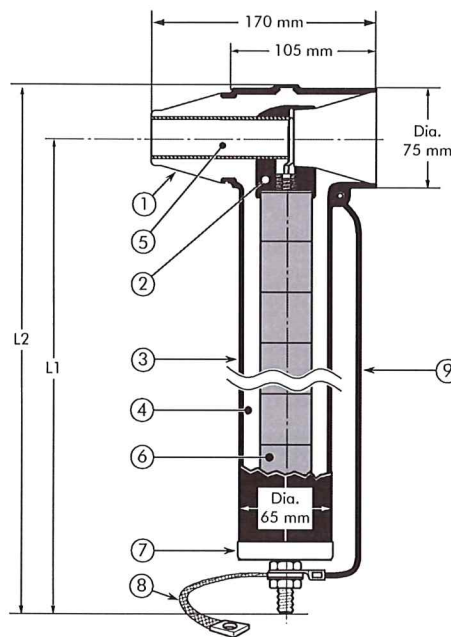
1. Interface designed to fit the 480TB, 484TB and 489TB tee connector.
2. Conductive EPDM insert.
3. Conductive EPDM jacket.
4. Insulating EPDM layer moulded between the insert and the jacket.
5. Receptacle for contact rod.
6. Metal oxide valve elements.
7. Steel cap.
8. Earth connection.
9. Earthing lead.

SPECIFICATIONS AND STANDARDS

The 800SA surge arresters meet the test requirements of IEC 60099-4.

TECHNICAL CHARACTERISTICS

- This surge arrester is a metal oxide varistor surge arrester in an elbow configuration.
- Each arrester is tested for AC withstand, partial discharge and critical voltage prior to leaving the factory.



**6/10 (12) kV
6.35/11 (12) kV
8.7/15 (17.5) kV
12/20 (24) kV
12.7/22 (24) kV
18/30 (36) kV
19/33 (36) kV
20.8/36 (42) kV**

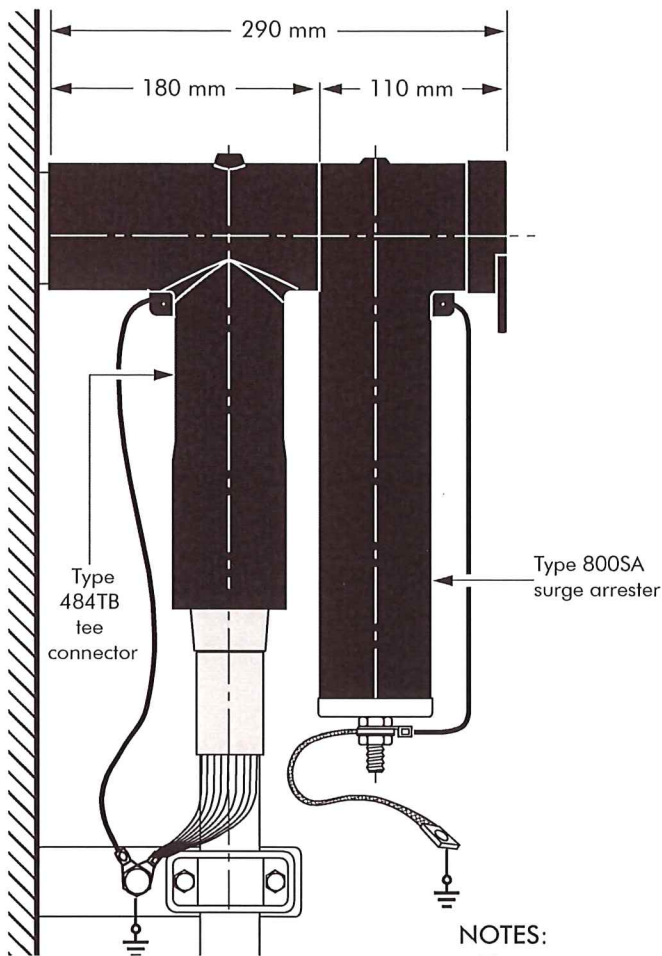
Up to 42 kV

EUROMOLD®

Surge arrester type	Nominal discharge current I _n (kA)	Rated voltage U _r (kV)	Max. continuous operating voltage U _c (kV)	Dimensions (mm)	
				L1	L2
800SA-10-6N	10	6	4.8	270	310
800SA-10-9N	10	9	7.2	270	310
800SA-10-12N	10	12	9.6	270	310
800SA-10-15N	10	15	12.0	270	310
800SA-10-18N	10	18	14.4	270	310
800SA-10-22N	10	22	17.6	270	310
800SA-10-24N	10	24	19.2	370	410
800SA-10-30N	10	30	24.0	370	410
800SA-10-33N	10	33	26.4	370	410
800SA-10-36N	10	36	28.8	370	410
800SA-10-45N	10	45	36.0	470	510
800SA-10-51N	10	51	40.8	470	510

08/2020

TYPICAL APPLICATION AND DIMENSIONS



NOTES:

- The surge arrester body needs to be positioned vertically after installation.
- Prior to cable testing, the surge arrester shall be removed.

ORDERING INSTRUCTIONS

To order the surge arrester, specify the surge arrester type, as described on previous page.

EXAMPLE:

For a maximum continuous operating voltage (r.m.s.) of 24 kV and a nominal discharge current of 10 kA.

Order a 800SA-10-30N surge arrester.



For use in potentially explosive atmospheres (for 12 kV max).
Order: ATEX-IECEx

TECHNICAL DATA

Surge arrester type	Steep current residual voltage @ 10 kA [1/20 μs] (kV)	Lightning current residual voltage [8/20 μs] (kV)			Switching impulse residual voltage [36/90 μs] (kV)		High current impulse withstand (kA)
		@ 5 kA	@ 10 kA	@ 20 kA	@ 125 A	@ 500 A	
800SA-10-6N	20.4	16.8	18.3	20.5	12.9	13.7	100
800SA-10-9N	28.5	23.5	25.6	28.7	18.0	19.2	100
800SA-10-12N	38.0	31.4	34.2	38.3	24.1	25.7	100
800SA-10-15N	48.1	39.7	43.2	48.4	30.5	32.5	100
800SA-10-18N	58.1	48.0	52.2	58.5	36.8	39.2	100
800SA-10-22N	70.1	57.9	63.0	70.6	44.4	47.3	100
800SA-10-24N	77.0	63.6	69.2	77.6	48.8	52.0	100
800SA-10-30N	97.0	80.1	87.2	97.7	61.5	65.5	100
800SA-10-33N	103.4	85.4	93.0	104.2	65.6	69.9	100
800SA-10-36N	115.9	95.7	104.2	116.8	73.5	78.3	100
800SA-10-45N	144.1	119.0	129.5	145.1	91.3	97.3	100
800SA-10-51N	166.0	137.1	149.2	167.2	105.2	112.1	100