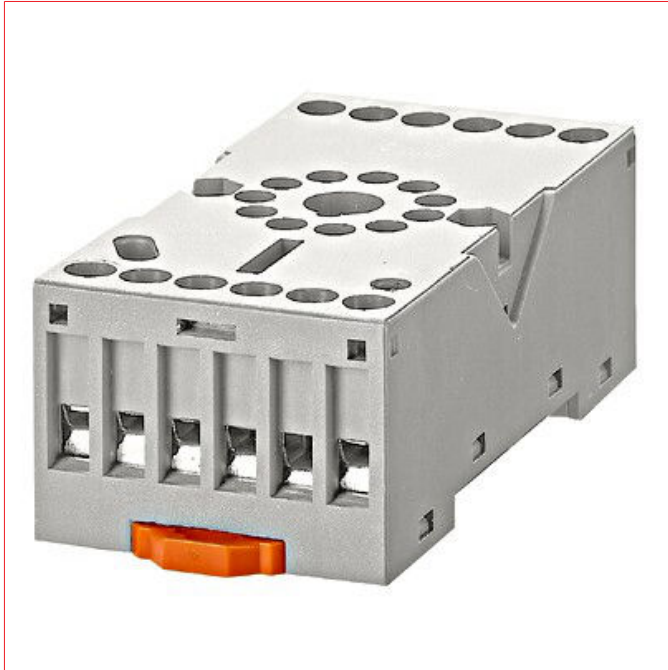


Data Sheet for Article: YMU78740--

Socket, screw connection, 11 pole, 12A for 3 pole MU relays

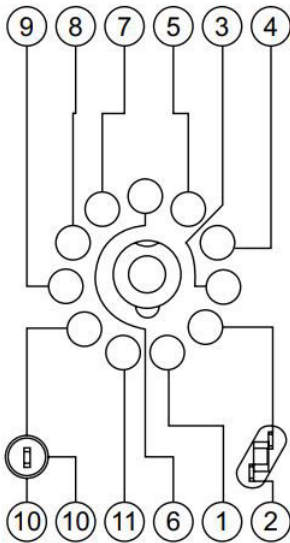
Compatible with 3 pole MT-Relay



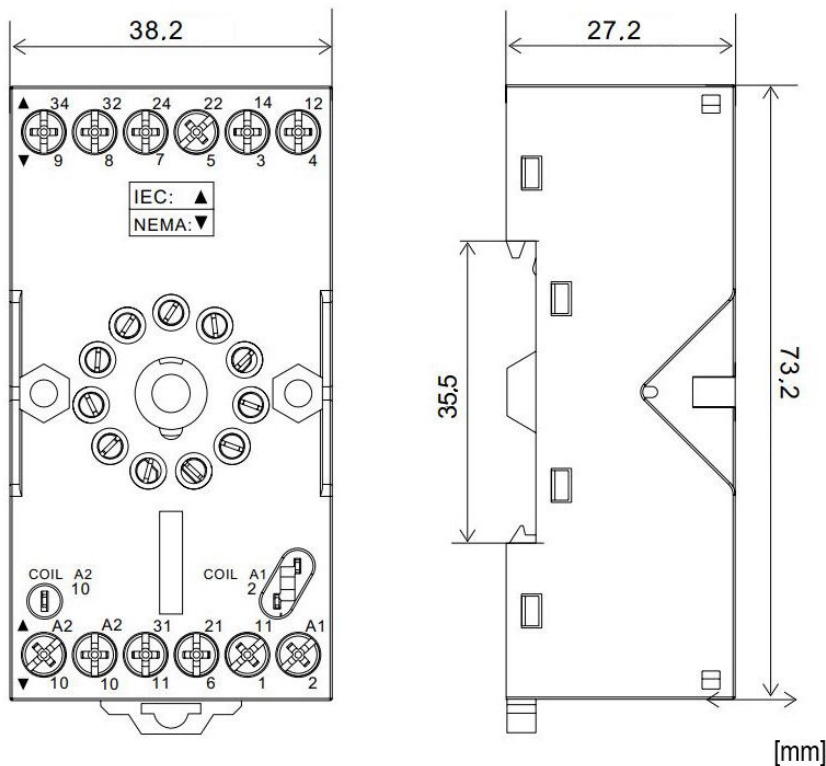
Technical Data

Net weight (kg)	0,06
Min. ambient temperature (°C)	-40
Max. ambient temperature (°C)	85
Contact current (A)	12
Rated voltage	300V
Rated current (A)	12A
Dielectric strength	2500V
Max. tightening torque (Nm)	1Nm

Circuit diagram: Socket, screw connection, 11 pole, 12A for 3 pole MU relays



Dimensioned drawing: Socket, screw connection, 11 pole, 12A for 3 pole MU relays



Article Table

DESCRIPTION	Order No.
Socket, screw connection, 11 pole, 12A for 3 pole MU relays Compatible with 3 pole MT-Relay	YMU78740
Optional Accessories	
LED module 6-24VAC/DC for socket YMU S-Relay	YMUL0024
Protection diode module A1+, 6-250VDC for socket YMU S-Relay	YMUT00A0
RC-Network module 110/240VAC for socket YMU S-Relay	YMUU0730
Metal retaining clip for MU relay S-Relay, Serie MU	YMU28800
Marking tag for YMU socket S-Relay, Serie MU	YMU2000
Multifunction module for socket MT78740	MTMFOW00