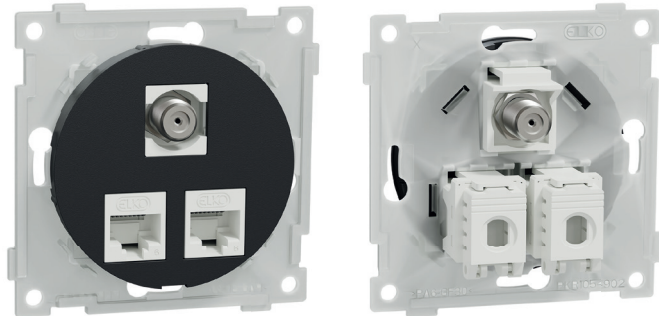


Data Sheet EKO50124

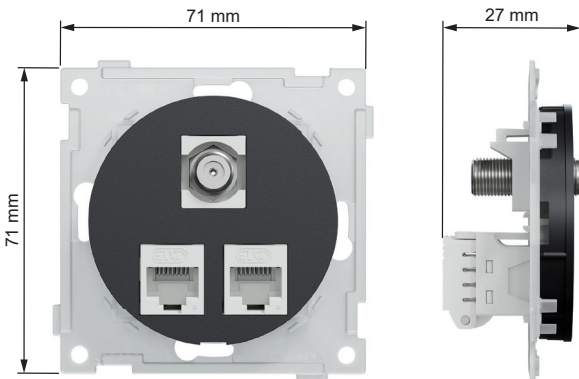
Product:	Modular outlet 2xUTP C6 & 1x F/F
E-number NO:	69 499 35
E-number SV:	51 004 51
E-number FI:	72 042 48
EAN:	7020160501240
Packing:	5
Color:	Black



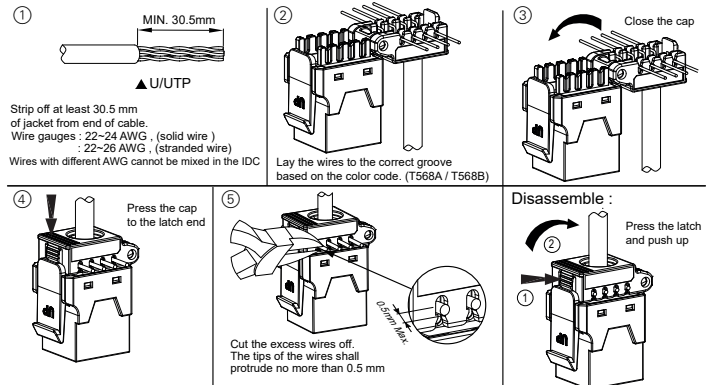
Product description: ELKO One TV + data socket is a RJ45 basic element with central cover plate with F connector. The Communication network category is 6. For the RJ45, it is compatible with AWG22 to AWG24 solid wires. To be mounted in suitable 1 to 5-gang cover frame for flush cc 60mm wall-box installation or 1 to 3-gang high surface mounted box for surface installation, as well as in corner box. The dimensions of the product are (W) 71mm x (H) 71mm x (D) 27mm. It is made of recycled Polycarbonate (PC). The color of the product is black (RAL 9005) with matt surface finish. It reaches IP20 degrees of protection.

One range by ELKO is covering Wiring Devices, Stand Alone Electronics and Network Connectivity functions for both flush as well as surface installation. The One range has been developed with sustainability in mind, using recycled plastic and recycled packaging material. Modern and slim design with a smooth matt surface finish that is reflecting the light in a glowing way due to it's shape.

Dimensions



Mounting



Wiring diagram

