



GHG 791 0201 R0001



GHG 791 0201 R0006



GHG 791 0101 R0002



GHG 791 0101 R0001

Technical data

GHG 791 01 up to 6 terminals / GHG 791 02 up to 8 terminals

Marking accd. to 2014/34/EU	Ⓜ II 2 G Ex e IIC T5/T6 Gb / Ⓜ II 2 D Ex tb IIIC T80°C Db
EU-Type Examination Certificate	BVS 16 ATEX E 031
IECEx Certificate of Conformity	IECEx BVS 16.0024
Marking accd. to IECEx	Ex e IIC T5/T6 Gb Ex tb IIIC T80°C Db
Permissible ambient temperature	-20 °C to +40 °C / -55 °C to +55 °C (option)
Rated voltage	690 V / 550 V ¹⁾
Terminal cross section	max. 3 x 4 mm ² max. 3 x 6 mm ² or 4 x 4 mm ² solid-wire
Protection class	I
Degree of protection accd. to EN 60529	IP66
Enclosure material	Polyamide

GHG 791 01 up to 6 terminals

Cable entry/enclosure drilling	max. 4 x M25 Ø 10 - 17 mm max. 4 x M20 metal thread
Connecting terminals	4 x + 1 PE
Rated current	max. 32 A, depends on terminal cross section
Dimensions (L x W x H)	81.5 x 100 x 61 mm
Weight	approx. 0.3 kg

GHG 791 02 up to 8 terminals

Cable entry/enclosure drilling	max. 6 x M25 Ø 10 - 17 mm max. 6 x M32 cable gland max. 6 x M20 metal thread
Connecting terminals	6 x + 2 PE
Rated current	max. 28 A, depends on terminal cross section
Dimensions (L x W x H)	117.5 x 113.5 x 73.5 mm
Weight	approx. 0.5 kg

¹⁾ for cage clamp terminals

Ex-junction box GHG 791



GHG 791 0101 R0001



GHG 791 0101 R0019



GHG 791 0101 R0068



GHG 791 0201 R0006

Ordering details

Content	Cable gland	No. of terminals	Order No.
GHG 791 01 up to 6 terminals			
	2 x M25 Ø 10-17 mm	4 x Ex-e, 1 x PE	GHG 791 0101 R0001
	4 x M25 Ø 10-17 mm incl. 2 x blanking plug M25	4 x Ex-e, 1 x PE	GHG 791 0101 R0002
	4 x M20 metal thread incl. 2 x threaded plug M20	4 x Ex-e, 1 x PE	GHG 791 0101 R0019
	4 x M25 Ø 10-17 mm incl. 2 x blanking plug M25	4 x 4 Ex-e ¹⁾ , 2 x PE	GHG 791 0101 R0069
	4 x M20 metal thread incl. 2 x threaded plug M20	4 x 4 Ex-e ¹⁾ , 2 x PE	GHG 791 0101 R0068
GHG 791 02 up to 8 terminals			
	4 x M25 Ø 10-17 mm incl. 2 x blanking plug M25	6 x Ex-e, 2 x PE	GHG 791 0201 R0006
	4 x M32 cable gland incl. 2 x blanking plug M32	6 x Ex-e, 2 x PE	GHG 791 0201 R0007
	6 x M25 Ø 10-17 mm incl. 4 x blanking plug M25	6 x Ex-e, 2 x PE	GHG 791 0201 R0001
	6 x M32 cable gland incl. 4 x blanking plug M32	6 x Ex-e, 2 x PE	GHG 791 0201 R0002
	6 x M20 metal thread incl. 4 x threaded plug M20	8 x Ex-e, 1 x PE	GHG 791 0201 R0003

Other applications available on request.

¹⁾ Cage clamp terminal, certified only according ATEX directive. Permissible ambient temperature -20°C up to +40 °C

Accessories

Type	Application	Fixing method	Order No.
Mounting plate for junction box 791 01			
Size 1	Wall mounting	snap on	GHG 610 1953 R0101
Size 1	for trellis mounting	snap on	GHG 610 1953 R0103
Size 1	pipe clamp	snap on	GHG 610 1953 R0102
Protective canopy size 2	for mounting plate size 1		GHG 610 1955 R0101
Mounting plate for junction box 791 02			
Size 2	Wall mounting	snap on	GHG 610 1953 R0104
Size 2	for trellis mounting	snap on	GHG 610 1953 R0106
Size 2	pipe clamp	snap on	GHG 610 1953 R0105
Protective canopy size 2	for mounting plate size 2		GHG 610 1955 R0102

Details for accessories see page 2.2.80 up to 2.2.84.



GHG 791 0201 R0006



GHG 791 0101 R0068

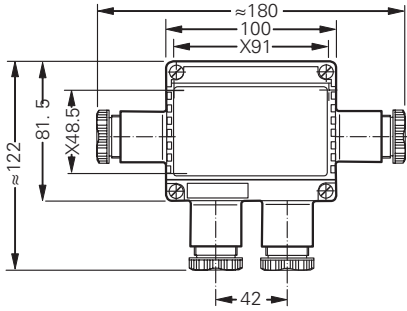


GHG 791 0101 R0019

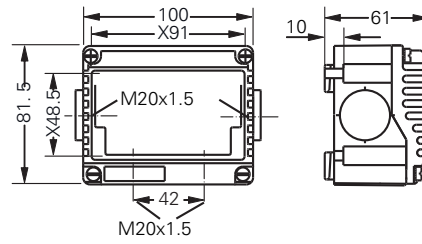
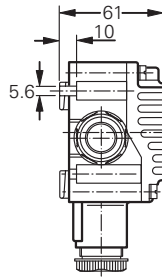


GHG 791 0101 R0001

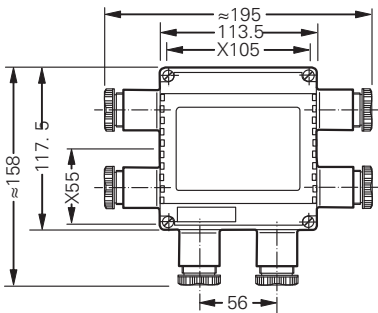
Dimension drawing



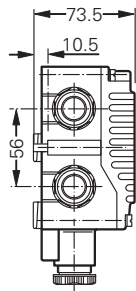
Type 791 01



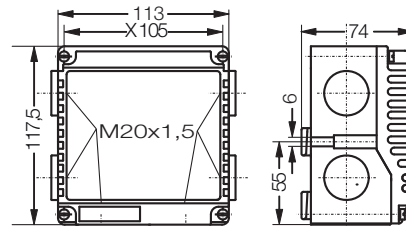
Type 791 01 for metal cable glands



Type 791 02



X = fixing dimensions



Type 791 02 for metal cable glands