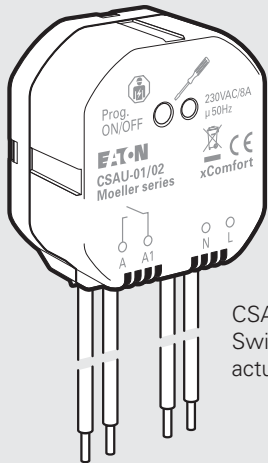
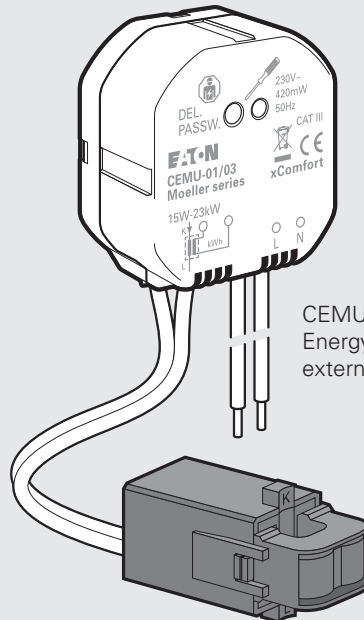


Quick Installation Guide

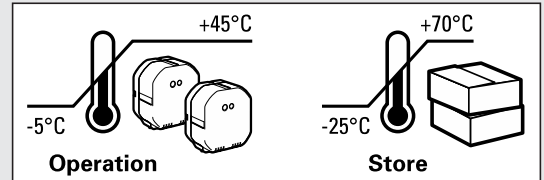
Hurtig installasjon kort - Snelle installatiekaart - Schnellinstallationskarte - Karta pro rychlou instalaci



CSAU-01/02
Switching
actuator



CEMU-01/03
Energy sensor,
external sensor



	MRF	Version 2.60
	SHC-RF	Version 2.21
	ECI-RF	Version 2.00
	USB-RF	Version 2.00

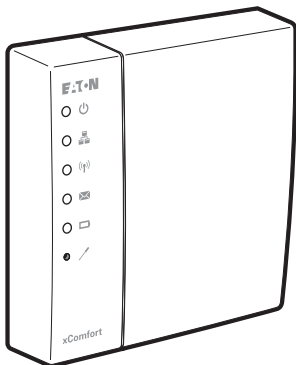


Technical Data / Technische gegevens / Tekniske data / Technische Daten / Technická data

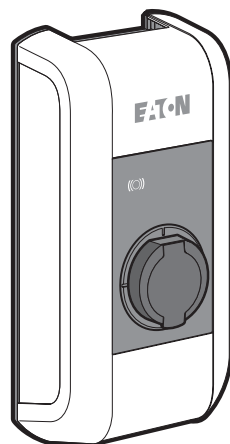
CSAU-01/02		CEMU-01/03	
Power supply	230 VAC +10% -15%, 50 Hz	Power supply	230 VAC +10% -15%, 50 Hz
Load	230VAC, 50Hz, 8A Resistive; 24VDC 8A	Measure range	15W < x < 23kW (max 100A)
Dimensions	48.6 x 45.3 x 26.2 mm (H x W x D)	Accuracy	10%
		Dimensions	48.6 x 45.3 x 26.2 mm (H x W x D)

Required - Må - Vereist - Erforderlich - Povinný

(not included) - (ikke inkludert) - (niet inbegrepen) - (nicht enthalten) - (není v ceně)



CHCA-00/01
Smart Home Controller



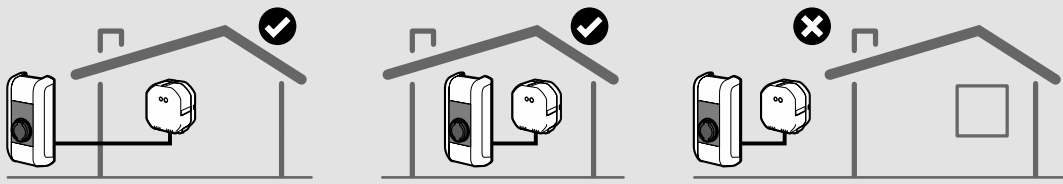
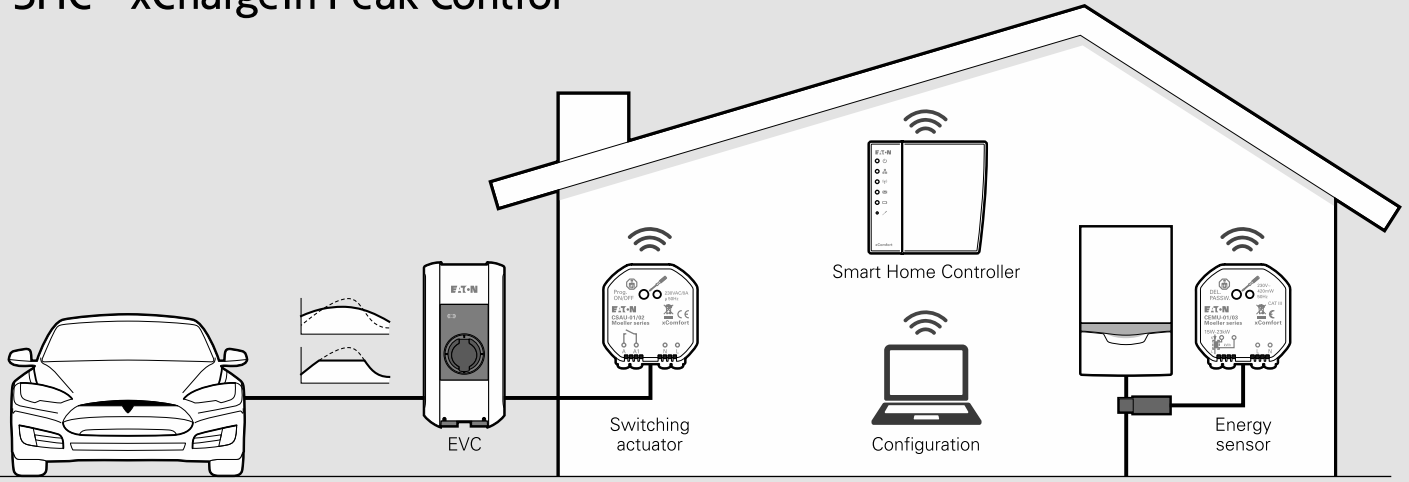
xChargeln X, S or M type
Electrical Vehicle Charging



xChargeln without key switch, and with RFID disabled
xChargeln uten nøkkelbryter, og med RFID deaktivert
xChargeln zonder sleutelschakelaar, en met RFID gedeactiveerd
xChargeln ohne Schlüsselschalter und mit RFID deaktiviert
xChargeln bez klíčového spínače a bez RFID

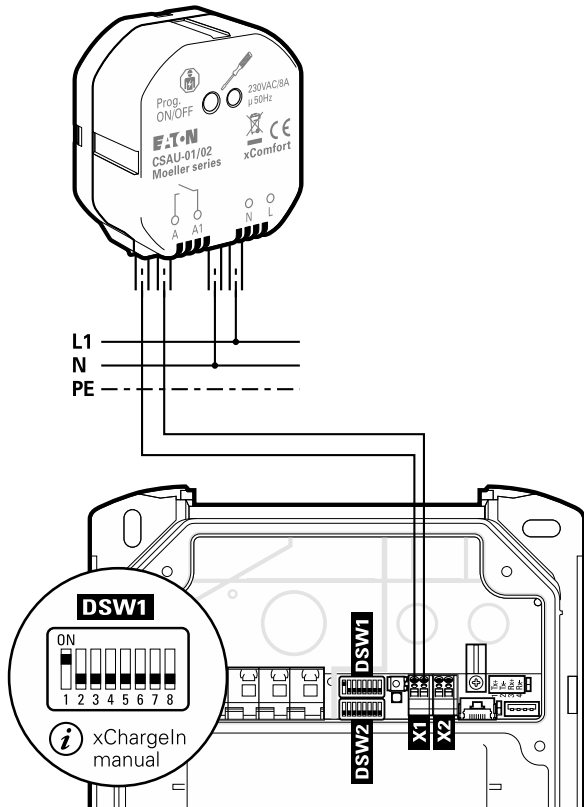


SHC - xChargeIn Peak Control



1 Connect xChargeIn

CSAU-01/02
Switching actuator

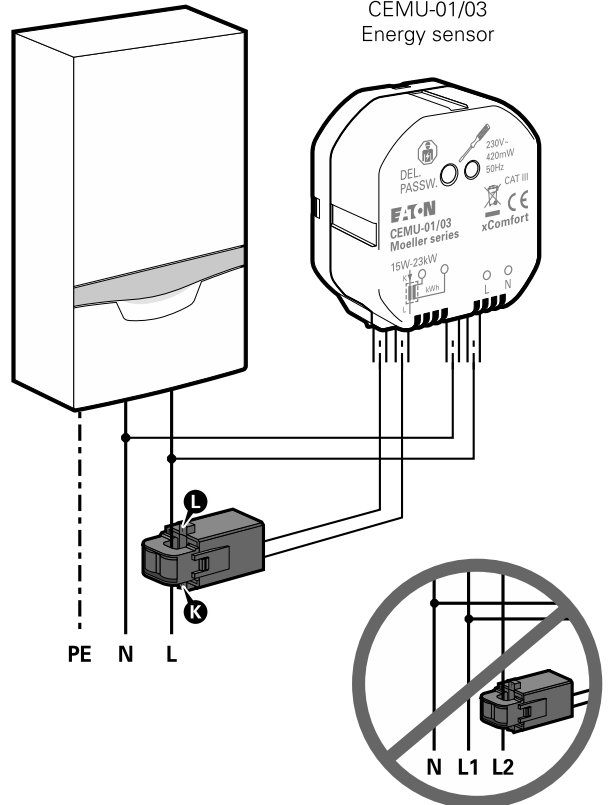


xChargeIn X, S or M series

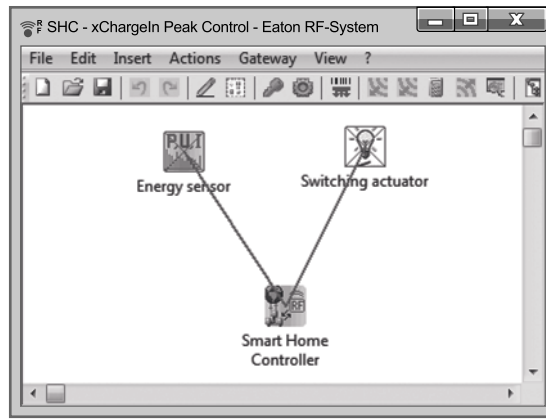
2 Connect Energy Sensor

High Load (kWh)
e.g. Boiler,
Heater, etc.

CEMU-01/03
Energy sensor



3 MRF configuration



Smart Home Controller

Interfaces Devices & Zones General

Here you can change the configuration of all connected devices, Zone information and Zone assignment. For further information press the button 'Help'.

Connection list:

in select.	Zone	Interface	DP	D..	Device Type	Name in MRF	Name in SHC	Function	Extra 1	Extra 2
<input checked="" type="checkbox"/>		SHC	5	=>	Switching actuator	Switching actuator	Enable xChargeIn	General		
<input type="checkbox"/>		SHC	1	<=	Energy sensor	Energy sensor Energy	Monitored Load Energy	Energy consumption		
<input checked="" type="checkbox"/>		SHC	2	<=	Energy sensor	Energy sensor Power	Monitored Load Power			
<input type="checkbox"/>		SHC	3	<=	Energy sensor	Energy sensor Current	Energy sensor Current			
<input type="checkbox"/>		SHC	4	<=	Energy sensor	Energy sensor Voltage	Energy sensor Voltage			

Only show connections of the selected Zone

Zones:

Nr	Name	Connected device channels
1	Peak Control	2

Buttons: Add Zone, Remove Zone, Rename Zone

Optional columns in Connections list:

- Column "Interface"
- Column "DP"
- Column "Direction"
- Column "Device Type"
- Column "Name in MRF"

Export/Import: siehe Tab "Allgemein"

Buttons: Add new Marker, Delete Marker, OK, Cancel, Apply, Help

4 SHC configuration

Smart Home Controller - x

Secure | https://mysmarthome.eaton.com/system/console/Options#tab_functi

Smart Home Controller 3. Advanced

0. Quick Install 1. Diagnostics 2. System 3. Advanced

Functions Planner Alarm Macros & Scenes

Zone: Peak Control

Energy Function	<input type="checkbox"/>
Status & Control Function	<input checked="" type="checkbox"/>
Power Consumption Meter: Monitored Load Power	<input checked="" type="checkbox"/>
Switch Actuator: Enable xChargeIn	<input checked="" type="checkbox"/>
Macro Function	<input checked="" type="checkbox"/>
Power Consumption Meter: Monitored Load Power	<input checked="" type="checkbox"/>
Switch Actuator: Enable xChargeIn	<input checked="" type="checkbox"/>
Last Action: - (-)	

Smart Home Controller - x

Secure | https://mysmarthome.eaton.com/system/console/Options/macros#ta

Smart Home Controller 3. Advanced

0. Quick Install 1. Diagnostics 2. System 3. Advanced

Functions Planner Alarm Macros & Scenes

Zone: Peak Control

New Macro Add Macro Available Events

- Peak Shaving ON
 - Events
 - Monitored Load Power: power > 1000W
 - Conditions
 - Actions
 - Enable xChargeIn: Switch off (0s)
- Peak Shaving OFF
 - Events
 - Monitored Load Power: power < 1000W
 - Conditions
 - Actions
 - Enable xChargeIn: Switch On (0s)

Declaration of Conformity

We, EATON Industries (Austria) GmbH
3943 Schrems, Eugenia 1
Austria

declare under our sole responsibility that the product (family)

Eaton - Switching actuator,

CSAU-01/01, CSAU-01/02, CSAU-01/03, CSAU-01/04

(the declaration of conformity applies to all listed types within our actual product catalogue)

provided that it is installed, maintained and used in the application intended for, with respect to the relevant manufacturers instructions, installation standards and "good engineering practices"

complies with the provisions of Council directive(s):

RED Directive 2014/53/EU

RoHS Directive 2011/65/EU

based on compliance with following standard(s):

EN 301489-3 V2.1.1, EN 300220-2 V3.1.1, EN 50491-5-1:2010,
EN 50491-5-2:2010, EN 62479:2010, EN 50428:2005 + A1:2007 +
A2:2009, EN 50581:2012

EU- type examination performed by:
TUV Austria Services GmbH, Notified Body
1230 Vienna, Deutschstrasse 10, Austria

Affixing date of CE mark: 2003

Doc.Id.: CSAU-0101_CSAU-0102_CSAU-0103_CSAU-0104_171117

17.11.2017

Ferdinando Ceccarelli
Senior Vice President
General Manager

17.11.2017

Friedrich Schröder
Director Quality
& Systems



Declaration of Conformity

We, EATON Industries (Austria) GmbH
3943 Schrems, Eugenia 1
Austria

declare under our sole responsibility that the product (family)

Eaton - Energy Measuring Sensor,

CEMU-...

(the declaration of conformity applies to all listed types within our actual product catalogue)

provided that it is installed, maintained and used in the application intended for, with respect to the relevant manufacturers instructions, installation standards and "good engineering practices"

complies with the provisions of Council directive(s):

RED Directive 2014/53/EU

RoHS Directive 2011/65/EU

based on compliance with following standard(s):

EN 301489-3 V2.1.1, EN 300220-2 V3.1.1, EN 50491-5-1:2010,
EN 50491-5-2:2010, EN 62479:2010, EN 61010-1:2010, EN 50581:2012

EU- type examination performed by:
TUV Austria Services GmbH, Notified Body
1230 Vienna, Deutschstrasse 10, Austria

Affixing date of CE mark: 2009

Doc.Id.: CEMU_171117

17.11.2017

Ferdinando Ceccarelli
Senior Vice President
General Manager

17.11.2017

Friedrich Schröder
Director Quality
& Systems

