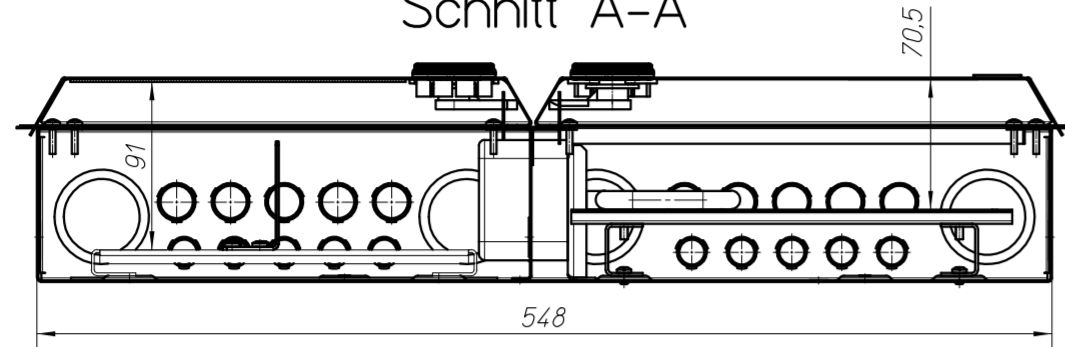
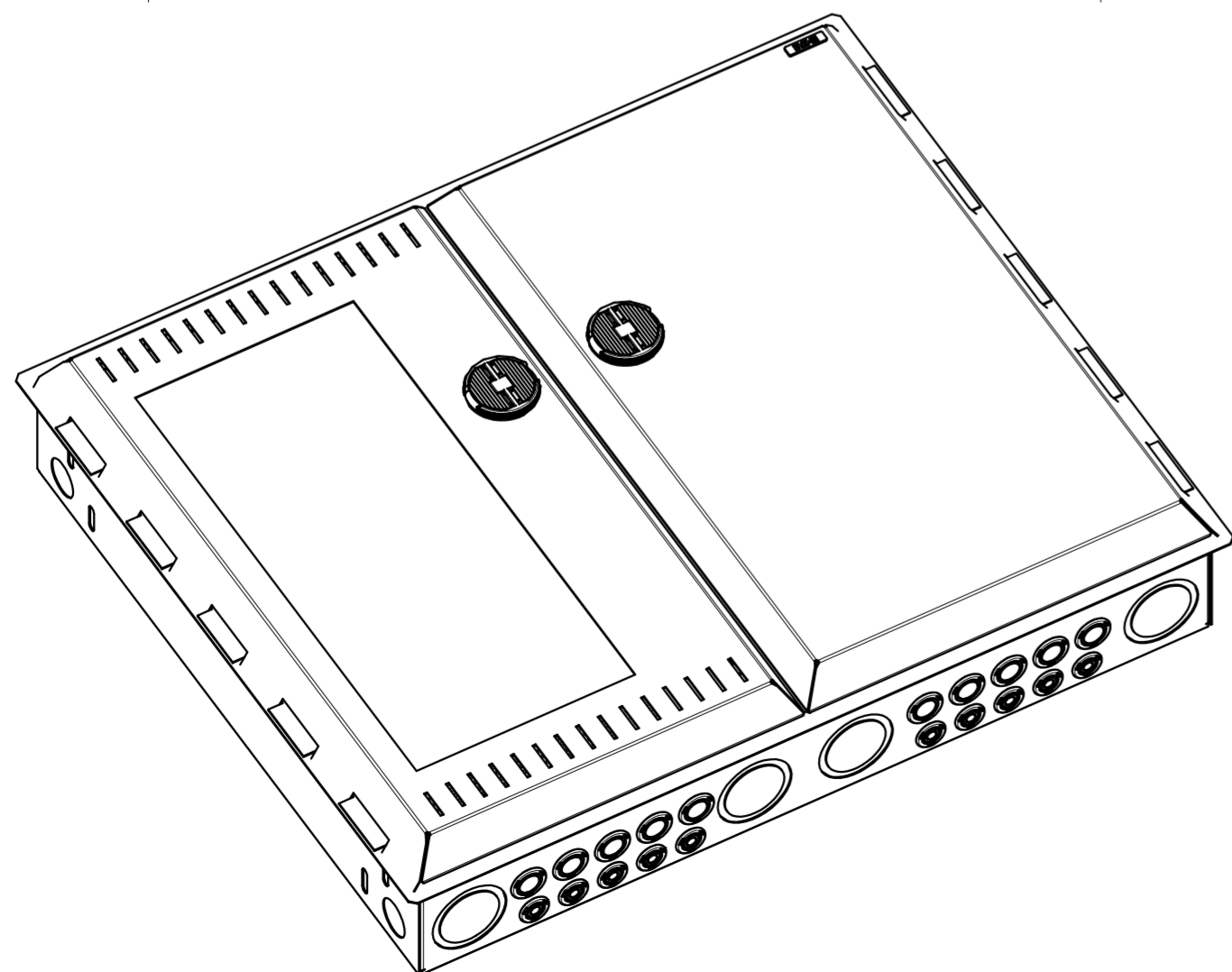
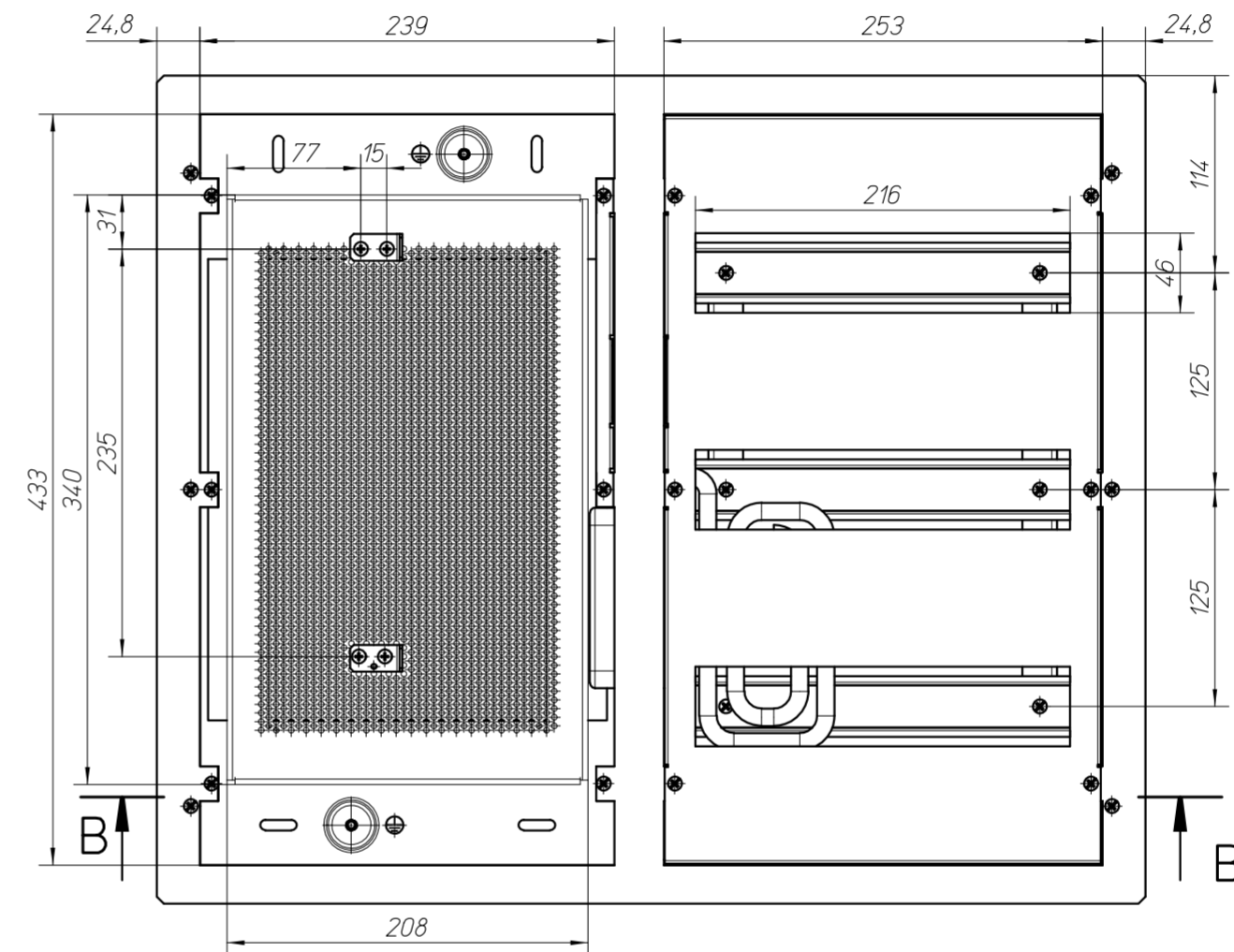
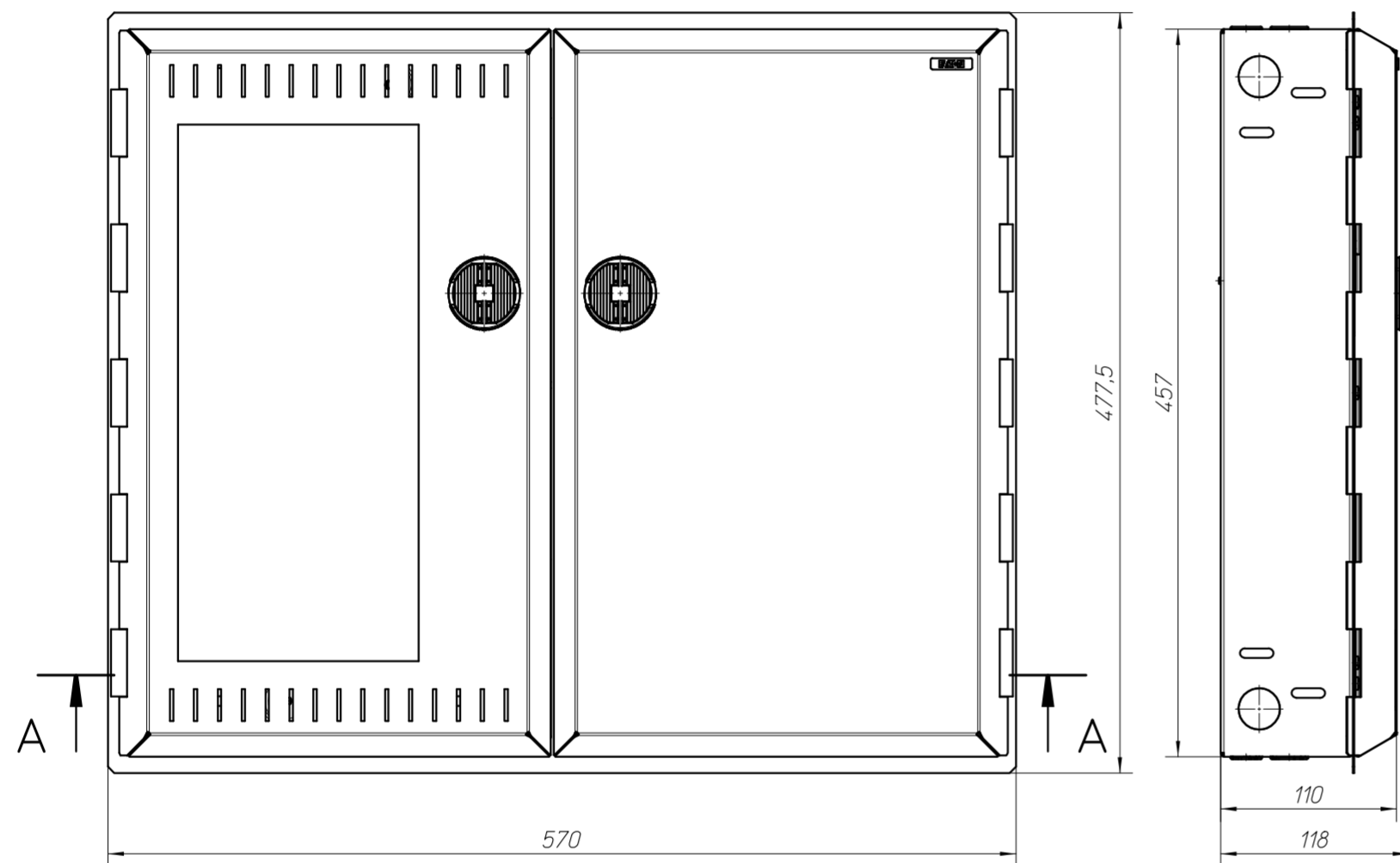
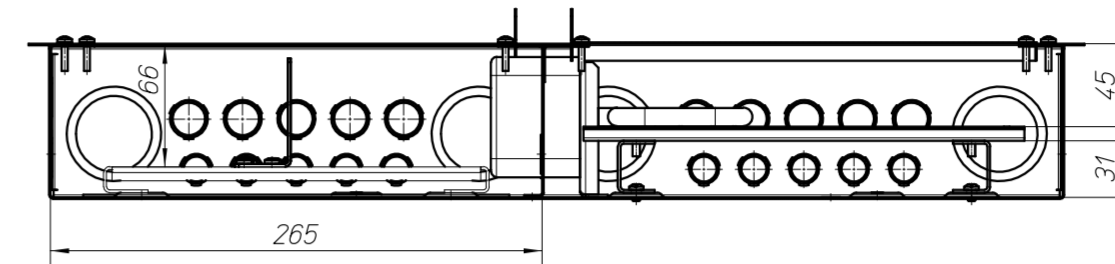



Schnitt A-A



Schnitt B-B



THIS DOCUMENT, INCLUDING THE DRAWING AND INFORMATION CONTAINED THEREIN, IS CONFIDENTIAL AND IS THE EXCLUSIVE PROPERTY OF EATON. IT IS TO BE KEPT IN STRICTLY CONFIDENTIAL AND NOT TO BE REPRODUCED, COPIED, OR TRANSMITTED IN ANY FORM OR BY ANY MEANS, ELECTRONIC OR MECHANICAL, INCLUDING PHOTOCOPYING, RECORDING, OR BY ANY INFORMATION STORAGE AND RETRIEVAL SYSTEM, WITHOUT THE WRITTEN PERMISSION OF EATON. THE INFORMATION CONTAINED HEREIN IS FOR YOUR INFORMATION ONLY AND IS NOT TO BE USED FOR ANY OTHER PURPOSE. EATON ACCEPTS NO LIABILITY FOR ANY DAMAGE, INCLUDING CONSEQUENTIAL DAMAGES, ARISING FROM THE USE OF THIS DOCUMENT. THIS NOTICE SHALL GOVERN THE STATUS OF THIS DOCUMENT. © 2010 Eaton - All Rights Reserved.

Pos.	Unit	Name	Drawing no.	Material, dimensions, processing
Mat.:		Eaton Industries (Austria) GmbH Eaton Electrical Sector Eugenia 1 39423 Salmanns, Aulha TEL. +43 2853 702-0*, Fax +43 2853 78509		 Powering Business Worldwide
processing:		part list:		
Dim. without tol. spec. accord. to:		Designed:		CAD VE187894
Change: from: at:		Drawn:		
		Checked:		
Scale:		I-36_3R-3-MUL TIMEDIA-DHP_DHS		Replacement for:
M1:4				Replaced by: