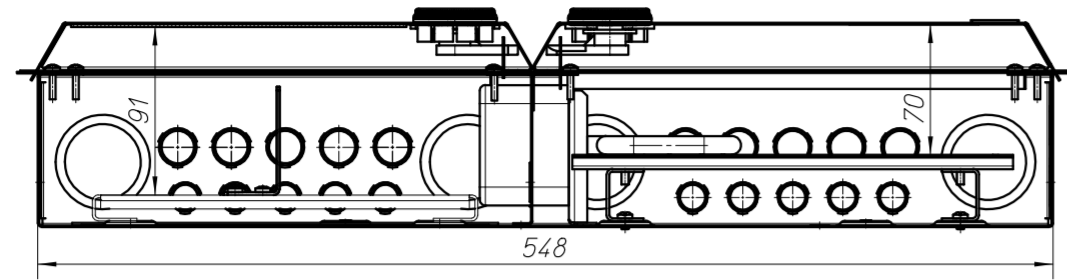
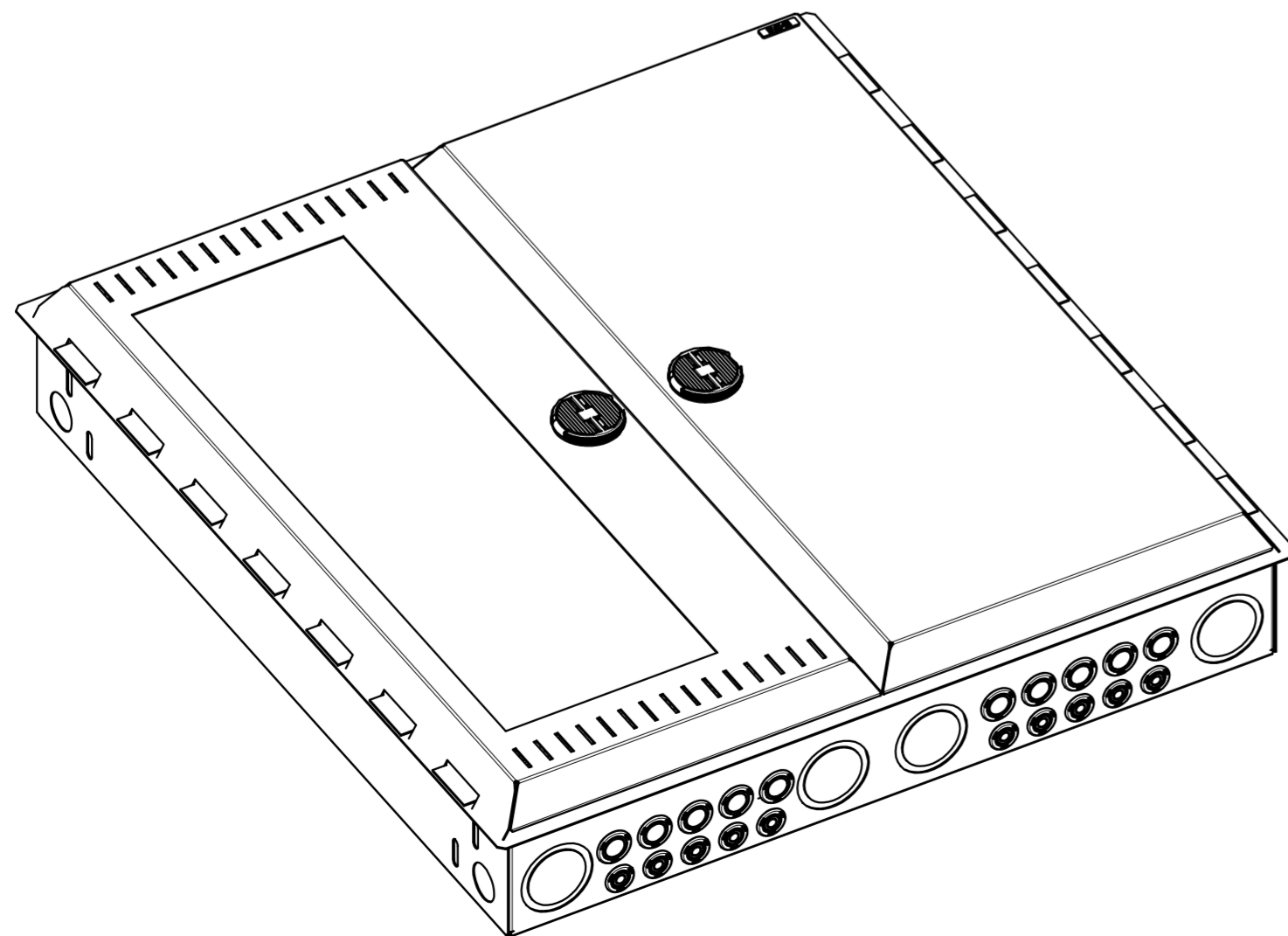
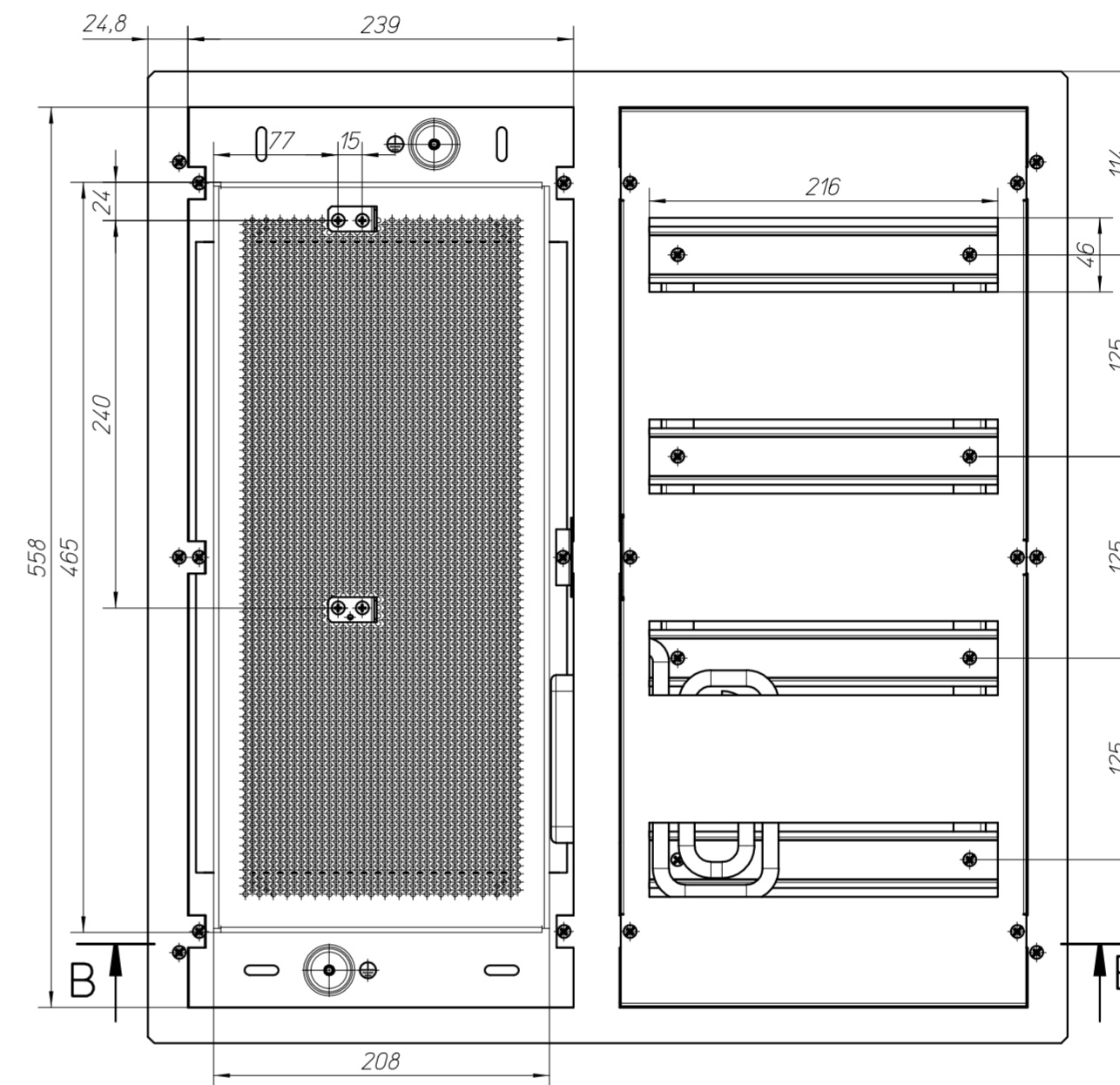
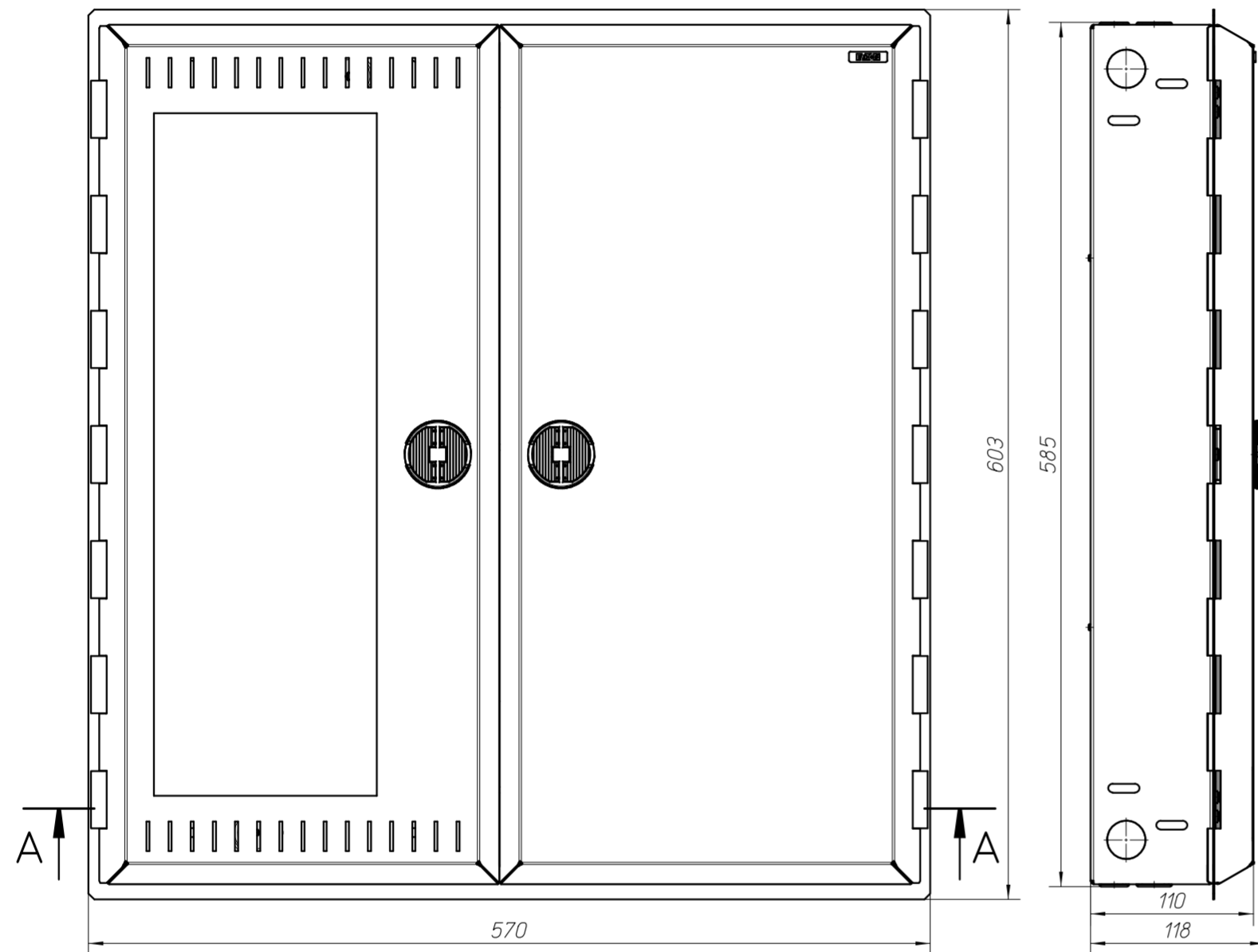
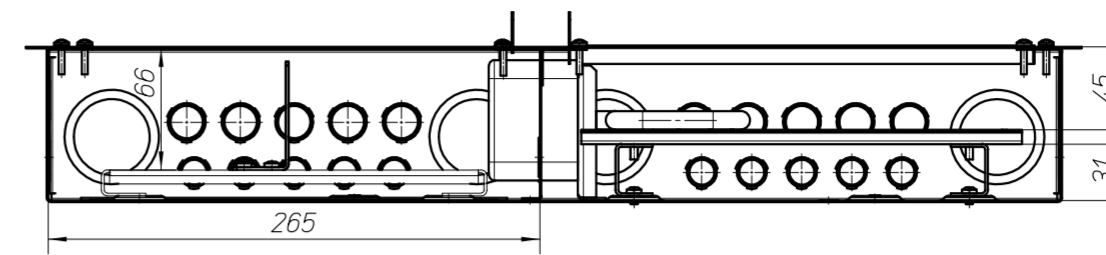



Schnitt A-A



Schnitt B-B



THIS DOCUMENT, INCLUDING THE DRAWING AND INFORMATION CONTAINED THEREIN, IS CONFIDENTIAL AND IS THE EXCLUSIVE PROPERTY OF EATON. IT IS TO BE KEPT IN STRICTLY CONFIDENTIAL AND IS NOT TO BE REPRODUCED, COPIED, OR DISCLOSED TO OTHERS, IN ANY MANNER, WITHOUT THE WRITTEN CONSENT OF EATON. IN THE CASE OF CONTRACTING CONTRACTORS, THIS NOTICE SHALL GVERN THE STATUS OF THIS DOCUMENT.  
 COMPARTMENTAL AND PROPRIETARY  
 NOTICE TO PERSONS RECEIVING THIS DOCUMENT  
 THIS DOCUMENT, INCLUDING THE DRAWING AND INFORMATION CONTAINED THEREIN, IS CONFIDENTIAL AND IS THE EXCLUSIVE PROPERTY OF EATON. IT IS TO BE KEPT IN STRICTLY CONFIDENTIAL AND IS NOT TO BE REPRODUCED, COPIED, OR DISCLOSED TO OTHERS, IN ANY MANNER, WITHOUT THE WRITTEN CONSENT OF EATON. IN THE CASE OF CONTRACTING CONTRACTORS, THIS NOTICE SHALL GVERN THE STATUS OF THIS DOCUMENT.  
 © 2010 Eaton - All Rights Reserved.

Pos.	Unit	Name	Drawing no.	Material, dimensions, processing
Mat.:		Eaton Industries (Austria) GmbH Eaton Electrical Sector Eugenia 1 39423 Saltrons, Aulha TEL. +43 2853 702-0*, Fax +43 2853 78509		 Powering Business Worldwide
processing:		part list:		
Dim. without tol. spec. accord. to:		Designed:		CAD VE187895
Change: from: at:		Drawn:		
		Checked:		
Scale: M1:4		I-48_4R-3-MUL TIMEDIA-DHP_DHS		Replacement for: Replaced by: