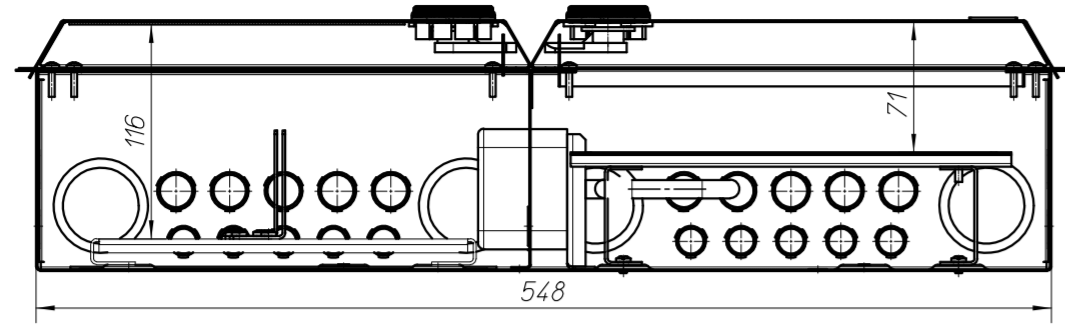
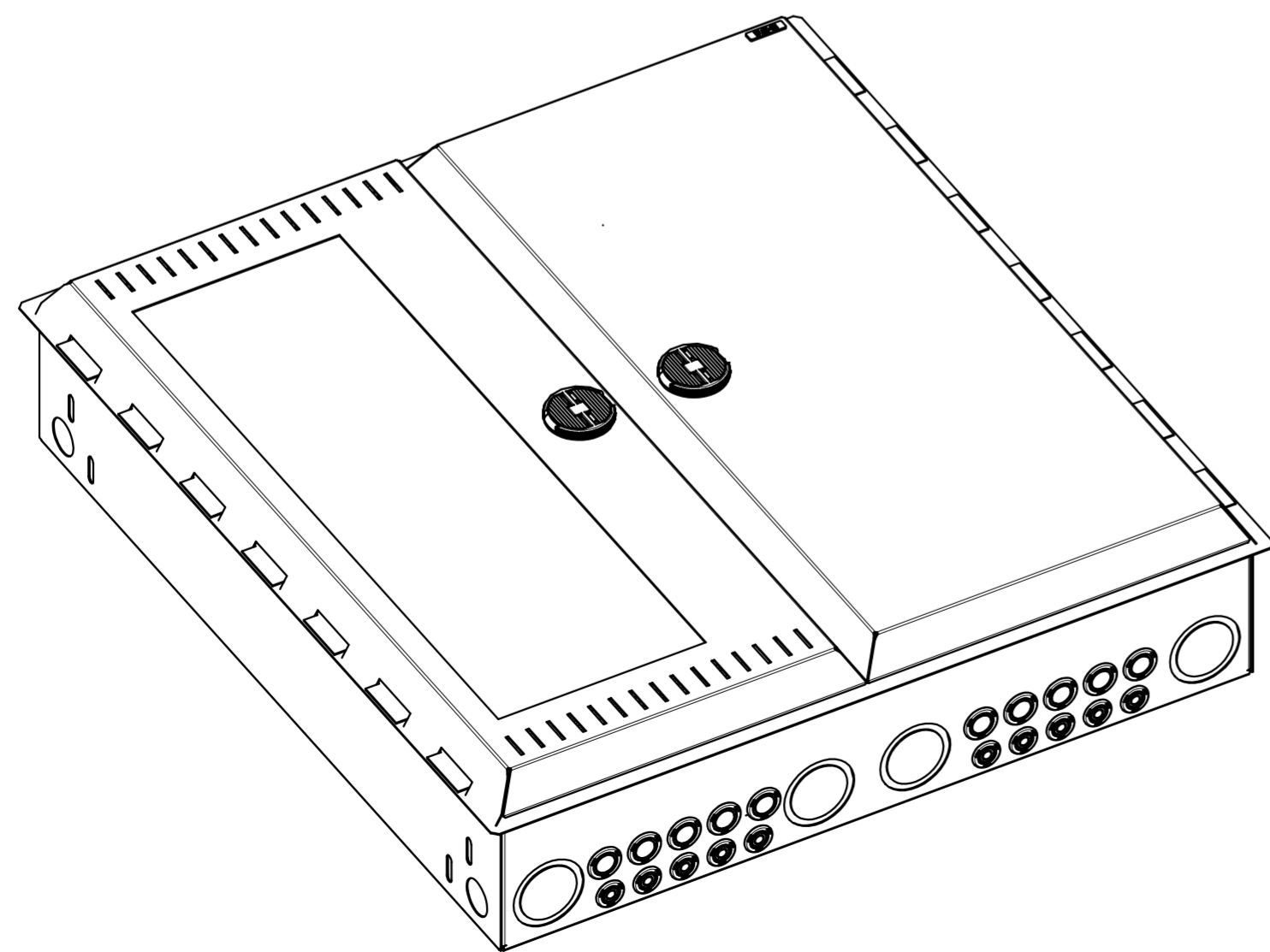
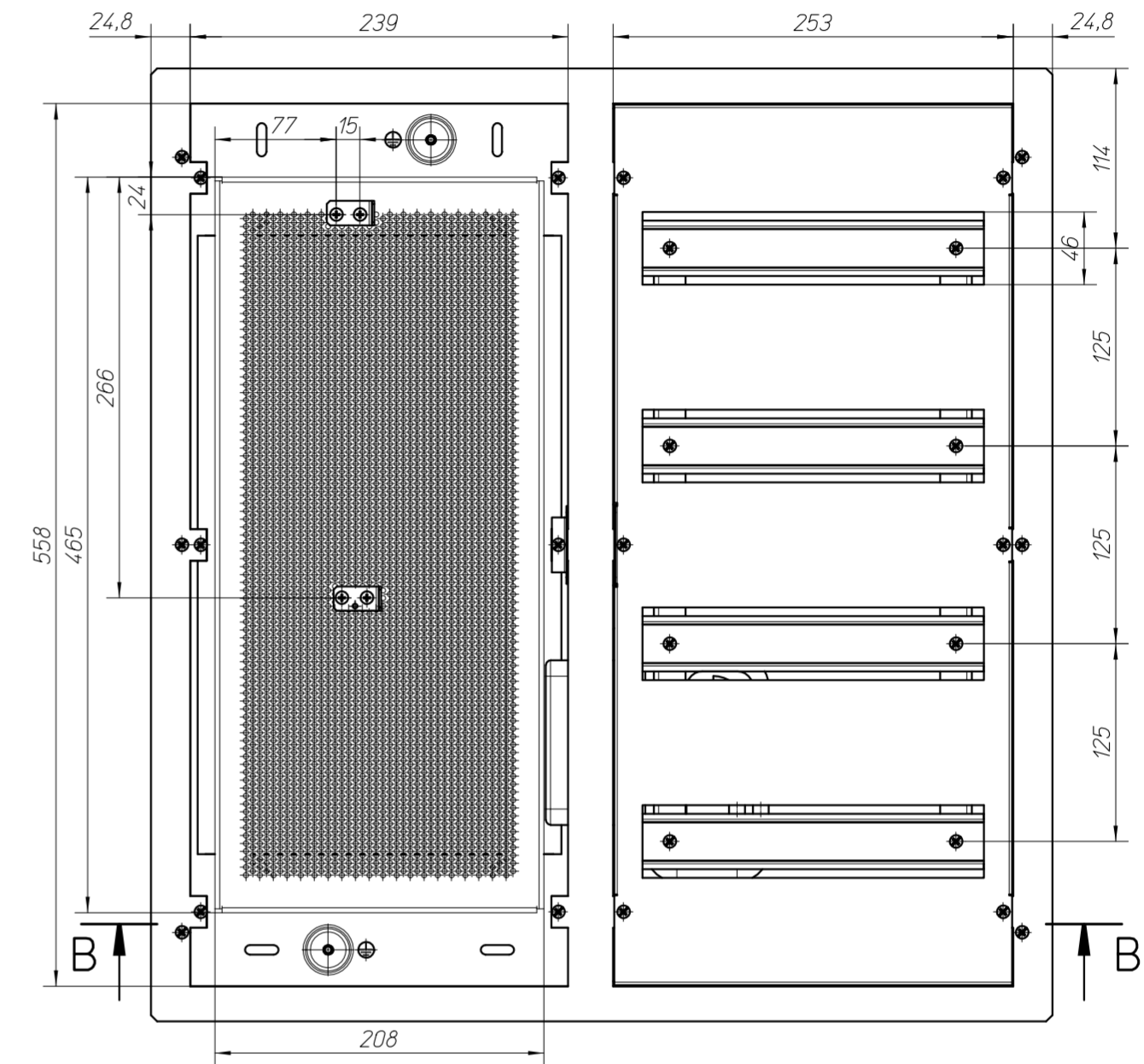
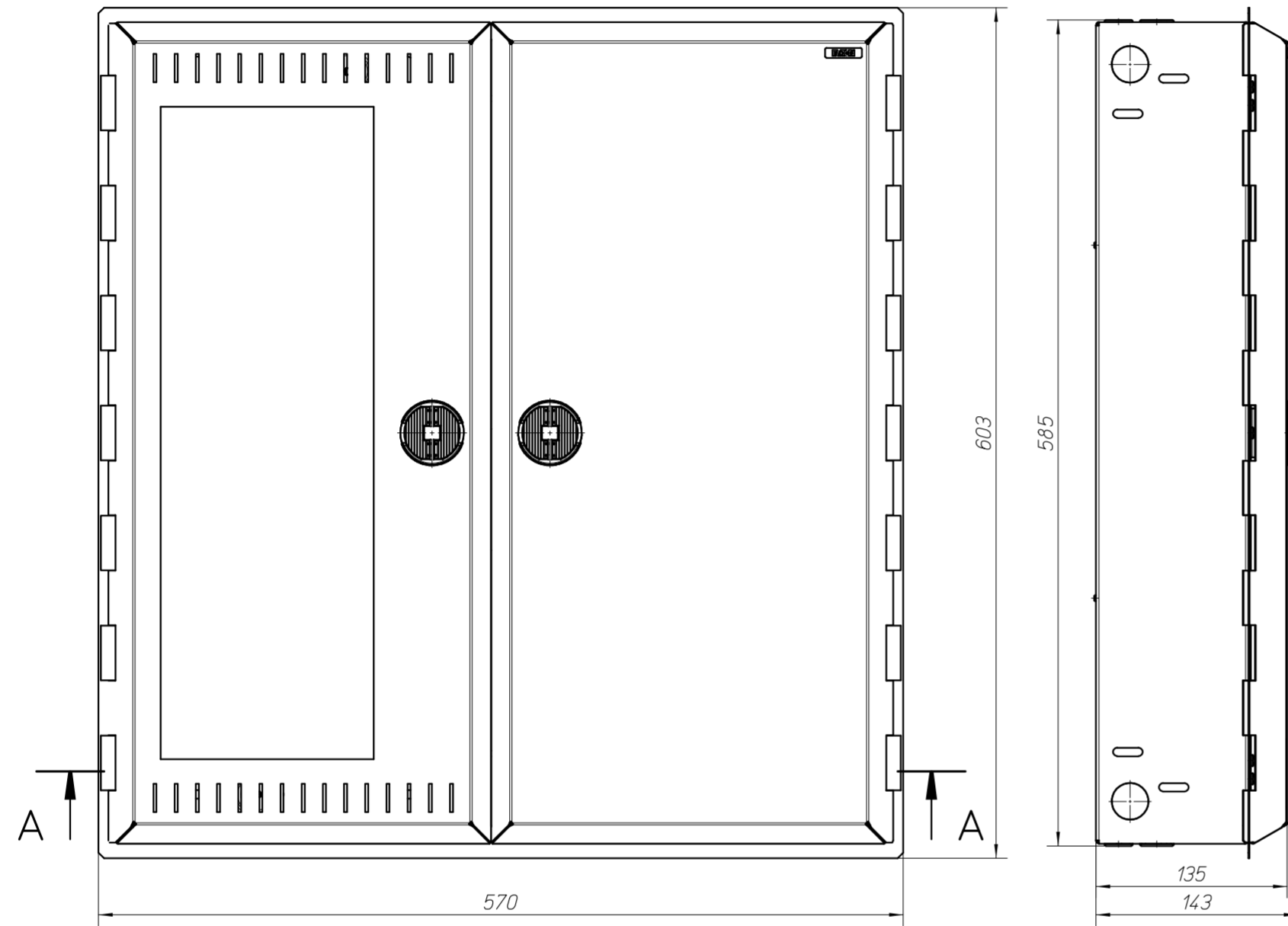
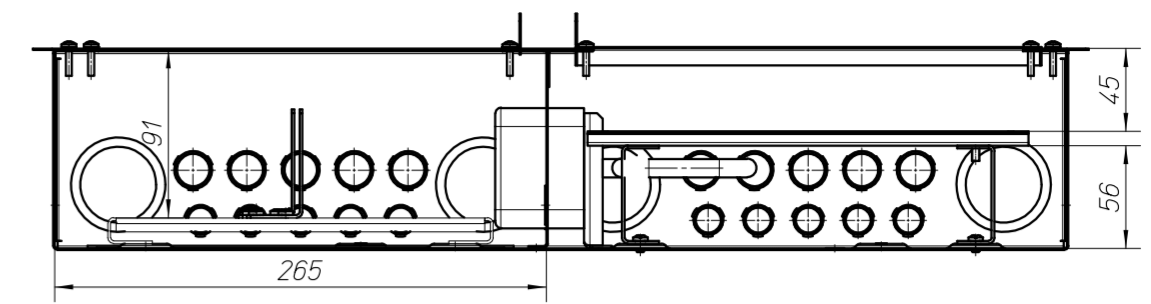



Schnitt A-A



Schnitt B-B



CONFIDENTIAL AND PROPRIETARY
 THIS DOCUMENT, INCLUDING THE DRAWING AND INFORMATION CONTAINED THEREIN, IS CONFIDENTIAL AND IS THE EXCLUSIVE PROPERTY OF EATON. IT IS TO BE KEPT IN STRICTLY CONFIDENTIAL AND NOT TO BE REPRODUCED, COPIED, OR DISCLOSED TO OTHERS WITHOUT THE WRITTEN CONSENT OF EATON. IN THE EVENT OF A CONTRACTING CONTRACTUAL PROVISIONS, THIS NOTICE SHALL GOVERN THE STATUS OF THIS DOCUMENT.
 © 2010 Eaton - All Rights Reserved.

Pos.	Unit	Name	Drawing no.	Material, dimensions, processing
Mat.:		Eaton Industries (Austria) GmbH Eaton Electrical Sector Eugenia 1 39423 Schrams, Ausha TEL. +43 2853 702-0*, Fax +43 2853 78509		 Powering Business Worldwide
processing:		part list:		
Dim. without tol. spec. accord. to:		Designed:		CAD VE187897
Change: from: at:		Drawn:		
		Checked:		
Scale:		1-48/4R-4-MULTIMEDIA-DHP+DHS		Replacement for:
				Replaced by: