



Cable gland, M20, RAL 7035, IP68_x

Part no. V-M20
Article no. 206910

Delivery program

Product range			General switchboard accessories
Accessories			Cable management
Product range			RMQ-Titan (drilling dimensions 22.5 mm)
Basic function			Accessories
Basic function accessories			Cable screw gland
Cable entry			M20
Hole diameter		mm	20,5
Outer cable diameter		mm	6 - 13
Example of application: NYM/NYY cable, 4-core		mm ²	H05VV-F4 x 2.5/3 x 4, NYM 5 x 1.5/5 x 2.5
Description			Flammability classification V2 according to UL94 With lock nut and built-in strain relief
Material			Polyamide Halogen free
Surface finish			RAL 7035
Information about equipment supplied			With lock nut and built-in strain relief
Degree of Protection			IP68 up to 5 bar (30 min)
Single unit/Complete unit			Single unit
Connection to SmartWire-DT			no

Technical data

General

Standards			IEC/EN 60947 VDE 0660
Climatic proofing			Damp heat, constant, to IEC 60068-2-78 Damp heat, cyclic, to IEC 60068-2-30
Ambient temperature			-25 - +70
Mounting position			As required
Overtoltage category/pollution degree			III/3
Degree of Protection			IP68 up to 5 bar (30 min)

Contacts

Rated insulation voltage	U _i	V	500
Overtoltage category/pollution degree			III/3

Material characteristics

Material			Polyamide Halogen free
Colour			Gray, RAL 7035
Temperature resistant			-20 °C - 100 °C, short-time up to approx. 120 °C
Chemical resistant			Resistant against : Acetone, petrol, paraffin, diesel, grease, oil, solvent for paints and varnishes
Danger of stress fracture			low
Flame retardant			Glow wire test 750 °C according to EN 60695-2-11
Flammability classification according to UL94			V2

Mechanical variables

Overtoltage category/pollution degree			III/3
---------------------------------------	--	--	-------

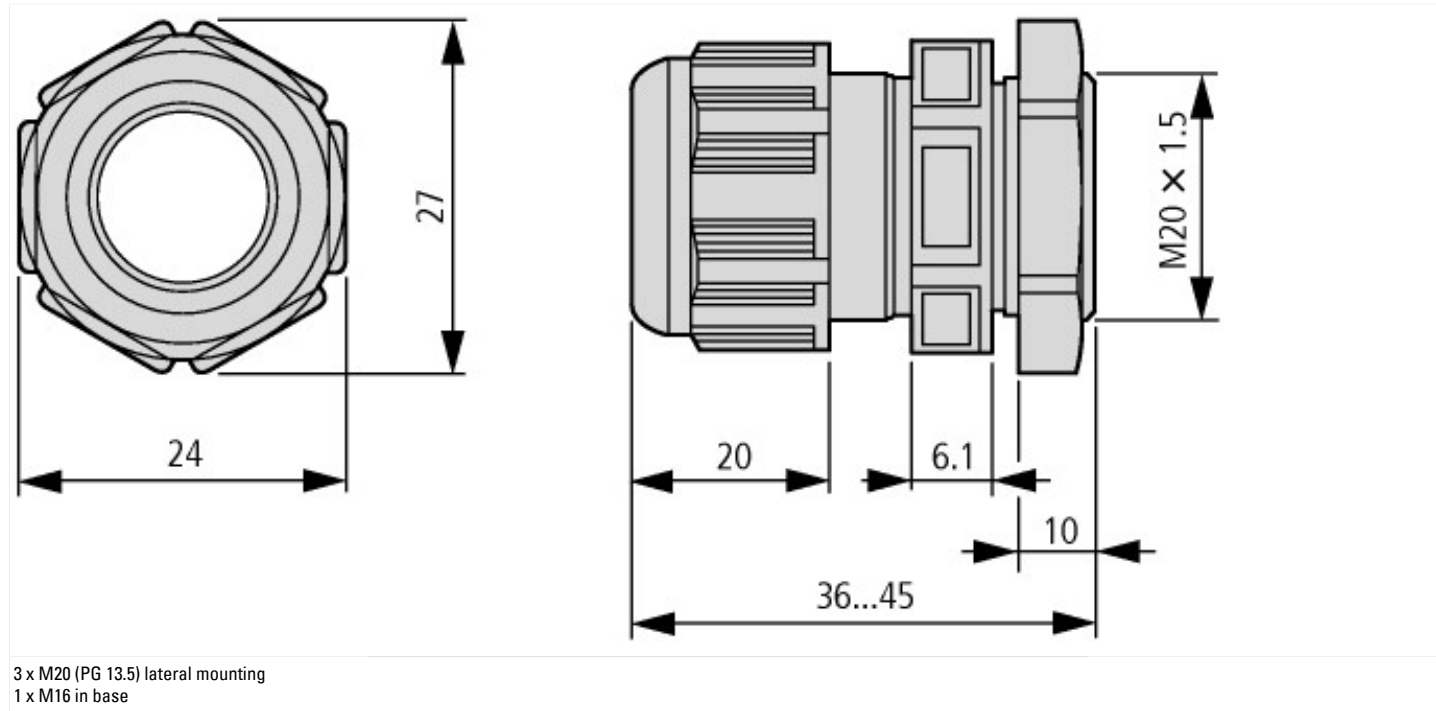
Design verification as per IEC/EN 61439

Technical data for design verification			
Operating ambient temperature min.		°C	-25
Operating ambient temperature max.		°C	70

Approvals

Specially designed for North America	No
Degree of Protection	UL/CSA Type 3R, 4X, 12, 13

Dimensions



Additional product information (links)

Motor starters and "Special Purpose Ratings" for the North American market	http://www.moeller.net/binary/ver_techpapers/ver953en.pdf
Busbar Component Adapters for modern Industrial control panels	http://www.moeller.net/binary/ver_techpapers/ver960en.pdf