



Flange plate, IP66_x, insulating material, 24xM16 13xM20



Powering Business Worldwide™

Part no. F3A-34

Article no. 078928

Delivery program

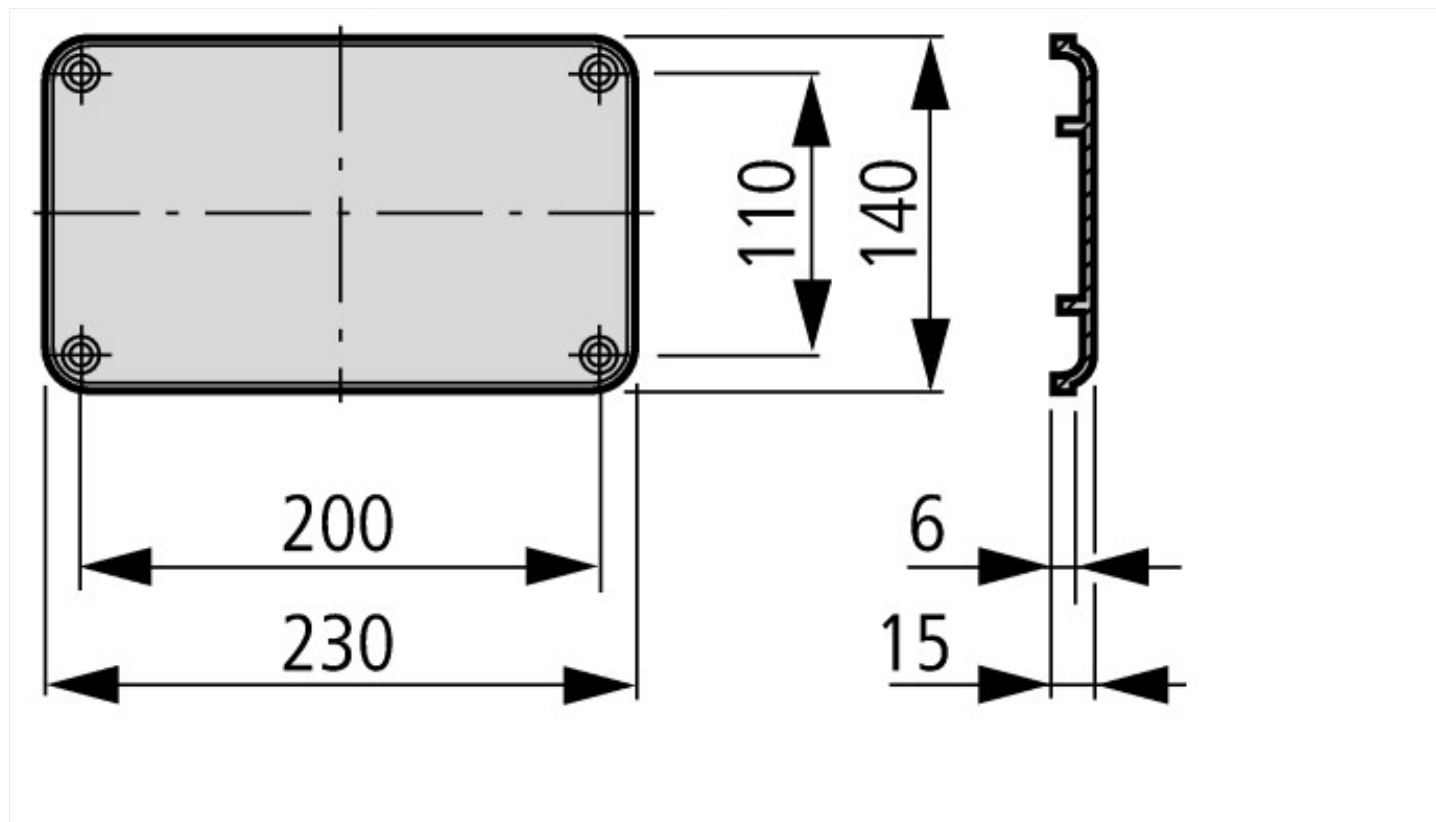
Product range		Accessories CS
Accessories		Flanges
Description		with metric cable entry knockouts
Material		Insulating material
Cable entry		24 x M16 13 x M20
Surface finish		RAL 7035

Technical data

Material characteristics

Material		Insulating material
Surface finish		RAL 7035

Dimensions



Additional product information (links)

Declaration of conformity	http://intranet.moeller.net/technik_daten/file/produkt_deklarationen/file/konformitaeten/00002/00002259.pdf
---------------------------	---