



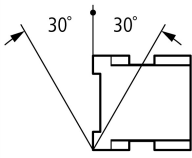
Contactor relay, 24 V DC, N/O = Normally open: 3 N/O, Screw terminals, DC operation

Part no. DILAT-30(RDC24)
Catalog No. 190967

Delivery program

Product range			Contactor relays DILAT
Application			Contactor relays
Connection technique			Screw terminals
Rated operational current			
AC-15			
220 V 230 V 240 V	I_e	A	4
380 V 400 V 415 V	I_e	A	1.9
Contacts			
N/O = Normally open			3 N/O
Actuating voltage			24 V DC
Voltage AC/DC			DC operation
Connection to SmartWire-DT			no

Technical data

General			
Standards			IEC/EN 60947, VDE 0660
Maximum operating frequency	Operations/h		3600
Climatic proofing			Damp heat, constant, to IEC 60068-2-78 Damp heat, cyclic, to IEC 60068-2-30
Ambient temperature			
Open		°C	-25 - +55
Ambient temperature, storage		°C	-40 - 80
Mounting position			
Mounting position			
Degree of Protection			IP20
Protection against direct contact when actuated from front (EN 50274)			Finger and back-of-hand proof
Weight			
DC operated		kg	0.17
Terminal capacities		mm ²	
Screw terminals			
Solid		mm ²	1 x (0.75 - 2.5) 2 x (0.75 - 2.5)
Flexible with ferrule		mm ²	1 x (0.75 - 2.5) 2 x (0.75 - 2.5)
Pozidriv screwdriver		Size	2
Max. tightening torque		Nm	0.8

Contacts			
Rated impulse withstand voltage	U_{imp}	V AC	6000
Overvoltage category/pollution degree			III/3
Rated insulation voltage	U_i	V AC	690
Rated operational voltage	U_e	V AC	690
Rated operational current		A	

Conventional free air thermal current, 1 pole			
Open			
at 55 °C	$I_{th} = I_e$	A	10
AC-15			
220 V 230 V 240 V	I_e	A	4
380 V 400 V 415 V	I_e	A	1.9
500 V	I_e	A	1.4

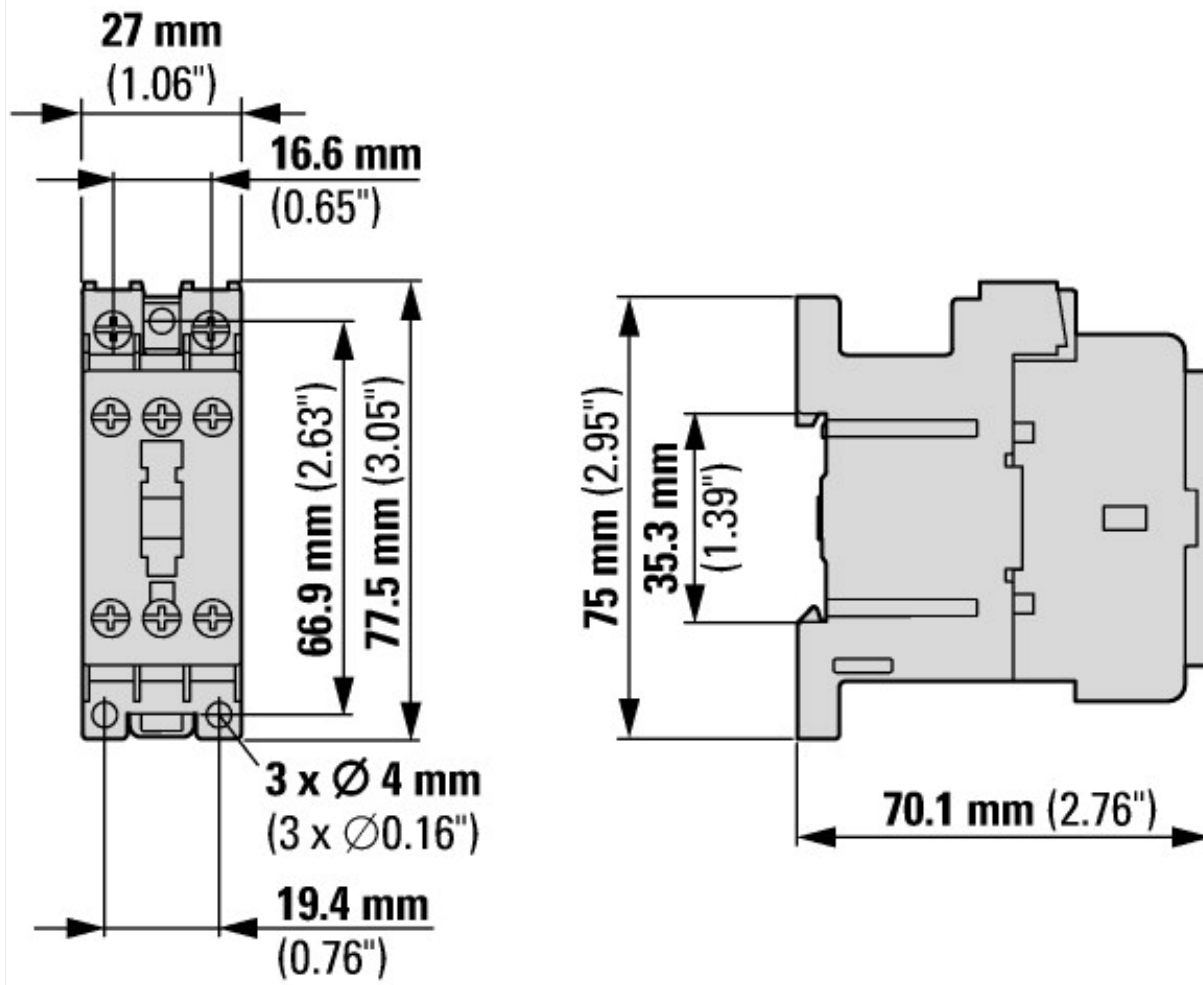
Design verification as per IEC/EN 61439

Technical data for design verification			
Operating ambient temperature min.		°C	-25
Operating ambient temperature max.		°C	55

Technical data ETIM 7.0

Low-voltage industrial components (EG000017) / Contactor relay (EC000196)			
Electric engineering, automation, process control engineering / Low-voltage switch technology / Contactor (LV) / Contactor relay (ecl@ss10.0.1-27-37-10-01 [AAB716014])			
Rated control supply voltage U_s at AC 50HZ		V	0 - 0
Rated control supply voltage U_s at AC 60HZ		V	0 - 0
Rated control supply voltage U_s at DC		V	24 - 24
Voltage type for actuating			DC
Rated operation current I_e , 400 V		A	1.9
Connection type auxiliary circuit			Screw connection
Mounting method			DIN-rail/screw
Interface			No
Number of auxiliary contacts as normally closed contact			0
Number of auxiliary contacts as normally open contact			3
Number of auxiliary contacts as normally closed contact, delayed switching			0
Number of auxiliary contacts as normally open contact, leading			0
With LED indication			No
Number of auxiliary contacts as change-over contact			0
Manual operation possible			No

Dimensions



3 x M4

9.7 mm
(0.38")

19.4 mm
(0.76")

66.8 mm (2.63")

