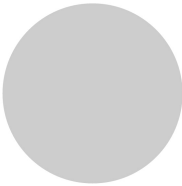




Surface mounting enclosure, 6 mounting locations

Part no. M22-I6
Catalog No. 216540
Alternate Catalog No. M22-I6Q
EL-Nummer (Norway) 4355388

Delivery program

Basic function accessories			Surface mounting enclosure
Housing			Insulated material With high-grade steel screws
Number of locations		Qty.	6
Cable entry knockouts			
Cable entry			rear: 2 x M20 at top: 2 x M20 lateral: 2 x M20/M25 (1 x each side)
Degree of Protection			IP66
Colour			
			
RAL Value			RAL 7035
Colour			Enclosure base anthracite
Connection to SmartWire-DT			no
For use with			6 x ∅ 22.5
For use with			(Illuminated) pushbuttons (Illuminated) selector switches Key-operated pushbuttons Indicator light controlled stop/emergency-stop buttons with yellow label
Actuator travel and actuation force as per DIN EN 60947-5-1, K.5.4.1			
Minimum force for positive opening	N		0

Technical data

General

Degree of Protection			IP66
Ambient temperature			
Open		°C	-25 - +70

Design verification as per IEC/EN 61439

Technical data for design verification			
Operating ambient temperature min.		°C	-25
Operating ambient temperature max.		°C	70
IEC/EN 61439 design verification			
10.2 Strength of materials and parts			
10.2.2 Corrosion resistance			Meets the product standard's requirements.
10.2.3.1 Verification of thermal stability of enclosures			Meets the product standard's requirements.
10.2.3.2 Verification of resistance of insulating materials to normal heat			Meets the product standard's requirements.
10.2.3.3 Verification of resistance of insulating materials to abnormal heat and fire due to internal electric effects			Meets the product standard's requirements.
10.2.4 Resistance to ultra-violet (UV) radiation			Please enquire
10.2.5 Lifting			Does not apply, since the entire switchgear needs to be evaluated.
10.2.6 Mechanical impact			Does not apply, since the entire switchgear needs to be evaluated.

10.2.7 Inscriptions		Meets the product standard's requirements.
10.3 Degree of protection of ASSEMBLIES		Does not apply, since the entire switchgear needs to be evaluated.
10.4 Clearances and creepage distances		Meets the product standard's requirements.
10.5 Protection against electric shock		Does not apply, since the entire switchgear needs to be evaluated.
10.6 Incorporation of switching devices and components		Does not apply, since the entire switchgear needs to be evaluated.
10.7 Internal electrical circuits and connections		Is the panel builder's responsibility.
10.8 Connections for external conductors		Is the panel builder's responsibility.
10.9 Insulation properties		
10.9.2 Power-frequency electric strength		Is the panel builder's responsibility.
10.9.3 Impulse withstand voltage		Is the panel builder's responsibility.
10.9.4 Testing of enclosures made of insulating material		Is the panel builder's responsibility.
10.10 Temperature rise		The panel builder is responsible for the temperature rise calculation. Eaton will provide heat dissipation data for the devices.
10.11 Short-circuit rating		Is the panel builder's responsibility. The specifications for the switchgear must be observed.
10.12 Electromagnetic compatibility		Is the panel builder's responsibility. The specifications for the switchgear must be observed.
10.13 Mechanical function		The device meets the requirements, provided the information in the instruction leaflet (IL) is observed.

Technical data ETIM 7.0

Low-voltage industrial components (EG000017) / Enclosure for control circuit devices (EC000200)

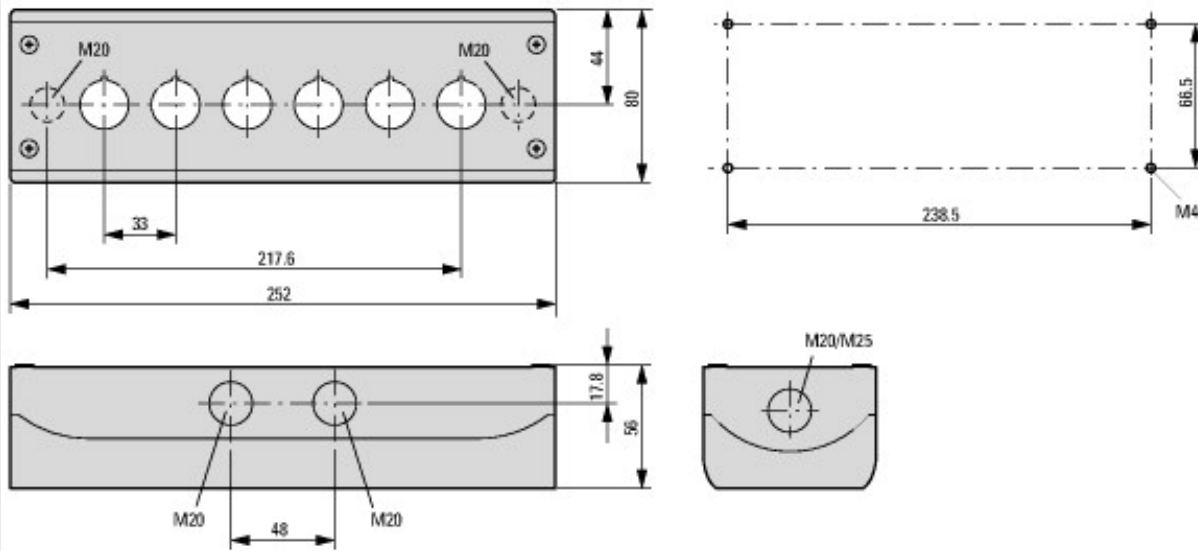
Electric engineering, automation, process control engineering / Low-voltage switch technology / Command and alarm device / Housing for command and alarm devices (ecl@ss10.0.1-27-37-12-05 [AKF023014])

Number of command positions		6
Construction type housing		Surface mounting housing
Material housing		Plastic
Material quality housing		Other
Diameter openings	mm	22
Colour housing cover		Grey
Degree of protection (IP)		IP66
Degree of protection (NEMA)		4X
Width	mm	252
Height	mm	80
Depth	mm	56

Approvals

Product Standards		IEC/EN 60947-5; UL 508; CSA-C22.2 No. 14-05; CSA-C22.2 No. 94-91; CE marking
UL File No.		E29184
UL Category Control No.		NKCR
CSA File No.		012528
CSA Class No.		3211-03
North America Certification		UL listed, CSA certified
Degree of Protection		UL/CSA Type 3R, 4X, 12, 13

Dimensions



Premoulded cable entry: bottom 2 x M20, top: 2 x M20, side: 2 x M20/M25 (per side 1 x)

Assets (links)

Declaration of CE Conformity

00003256

Instruction Leaflets

IL04716003Z2018_06