

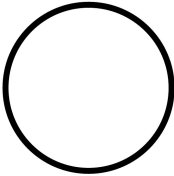


Pushbutton, raised, white, maintained

Part no. **M22-DRH-W**  
 Catalog No. **216665**  
 Alternate Catalog No. **M22-DRH-WQ**  
 EL-Nummer **4355627**  
 (Norway)



**Delivery program**

|   |   |  |  |
|---|---|--|--|
| Product range   |   |  | RMQ-Titan  |
| Basic function  |   |  | Pushbutton actuators   |
| Single unit/Complete unit   |   |  | Single unit  |
| Design  |   |  | Extended<br>maintained   |
| <b>Button plate</b>   |   |  |  |
| button plate  |   |  | White  |
| Button plate  |   |  |  |
|   |   |  | Blank  |
| Degree of Protection  |   |  | IP66, IP67, IP69   |
| Front ring  |   |  | Bezel: titanium  |
| Connection to SmartWire-DT  |   |  | yes<br>with SWD-RMQ connections  |
| <b>Actuator travel and actuation force as per DIN EN 60947-5-1, K.5.4.1</b> |   |  |  |
| Minimum force for positive opening  | N |  | 0  |
| Front dimensions  |   |  | 22 x 22  |
| <b>Instructions</b>   |   |  | Stay-put/spring-return function can be changed on device                           |

**Technical data**

**General**

|                             |              |                   |  |
|-----------------------------|--------------|-------------------|--|
| Standards                   |              |                   | IEC/EN 60947<br>VDE 0660   |
| Lifespan, mechanical        | Operations   | x 10 <sup>6</sup> | > 1  |
| Operating frequency         | Operations/h |                   | ≤ 1800   |
| Actuating force             |              | n                 | ≤ 5  |
| Climatic proofing           |              |                   | Damp heat, constant, to IEC 60068-2-78<br>Damp heat, cyclic, to IEC 60068-2-30 |
| Degree of Protection        |              |                   | IP66, IP67, IP69   |
| Ambient temperature         |              |                   |  |
| Open                        |              | °C                | -25 - +70  |
| Storage                     |              | °C                | - 40 - + 80  |
| Mounting position           |              |                   | As required  |
| Mechanical shock resistance |              | g                 | 30<br>Shock duration 11 ms<br>Sinusoidal<br>according to IEC 60068-2-27        |
| shipping classification     |              |                   | DNV<br>GL<br>LR  |



## Design verification as per IEC/EN 61439

| Technical data for design verification   |            |    |  |
|--|------------|----|--|
| Rated operational current for specified heat dissipation   | $I_n$      | A  | 0  |
| Heat dissipation per pole, current-dependent   | $P_{vid}$  | W  | 0  |
| Equipment heat dissipation, current-dependent  | $P_{vid}$  | W  | 0  |
| Static heat dissipation, non-current-dependent   | $P_{vs}$   | W  | 0  |
| Heat dissipation capacity  | $P_{diss}$ | W  | 0  |
| Operating ambient temperature min.   |            | °C | -25  |
| Operating ambient temperature max.   |            | °C | 70   |
| IEC/EN 61439 design verification   |            |    |  |
| 10.2 Strength of materials and parts   |            |    |  |
| 10.2.2 Corrosion resistance  |            |    |  |
|  |            |    | Meets the product standard's requirements.   |
| 10.2.3.1 Verification of thermal stability of enclosures   |            |    |  |
|  |            |    | Meets the product standard's requirements.   |
| 10.2.3.2 Verification of resistance of insulating materials to normal heat   |            |    |  |
|  |            |    | Meets the product standard's requirements.   |
| 10.2.3.3 Verification of resistance of insulating materials to abnormal heat and fire due to internal electric effects |            |    |  |
|  |            |    | Meets the product standard's requirements.   |
| 10.2.4 Resistance to ultra-violet (UV) radiation   |            |    |  |
|  |            |    | Please enquire   |
| 10.2.5 Lifting   |            |    |  |
|  |            |    | Does not apply, since the entire switchgear needs to be evaluated.                                       |
| 10.2.6 Mechanical impact   |            |    |  |
|  |            |    | Does not apply, since the entire switchgear needs to be evaluated.                                       |
| 10.2.7 Inscriptions  |            |    |  |
|  |            |    | Meets the product standard's requirements.   |
| 10.3 Degree of protection of ASSEMBLIES  |            |    |  |
|  |            |    | Does not apply, since the entire switchgear needs to be evaluated.                                       |
| 10.4 Clearances and creepage distances   |            |    |  |
|  |            |    | Meets the product standard's requirements.   |
| 10.5 Protection against electric shock   |            |    |  |
|  |            |    | Does not apply, since the entire switchgear needs to be evaluated.                                       |
| 10.6 Incorporation of switching devices and components   |            |    |  |
|  |            |    | Does not apply, since the entire switchgear needs to be evaluated.                                       |
| 10.7 Internal electrical circuits and connections  |            |    |  |
|  |            |    | Is the panel builder's responsibility.   |
| 10.8 Connections for external conductors   |            |    |  |
|  |            |    | Is the panel builder's responsibility.   |
| 10.9 Insulation properties   |            |    |  |
| 10.9.2 Power-frequency electric strength   |            |    |  |
|  |            |    | Is the panel builder's responsibility.   |
| 10.9.3 Impulse withstand voltage   |            |    |  |
|  |            |    | Is the panel builder's responsibility.   |
| 10.9.4 Testing of enclosures made of insulating material   |            |    |  |
|  |            |    | Is the panel builder's responsibility.   |
| 10.10 Temperature rise   |            |    |  |
|  |            |    | Not applicable.  |
| 10.11 Short-circuit rating   |            |    |  |
|  |            |    | Is the panel builder's responsibility. The specifications for the switchgear must be observed.           |
| 10.12 Electromagnetic compatibility  |            |    |  |
|  |            |    | Is the panel builder's responsibility. The specifications for the switchgear must be observed.           |
| 10.13 Mechanical function  |            |    |  |
|  |            |    | The device meets the requirements, provided the information in the instruction leaflet (IL) is observed. |

## Technical data ETIM 7.0

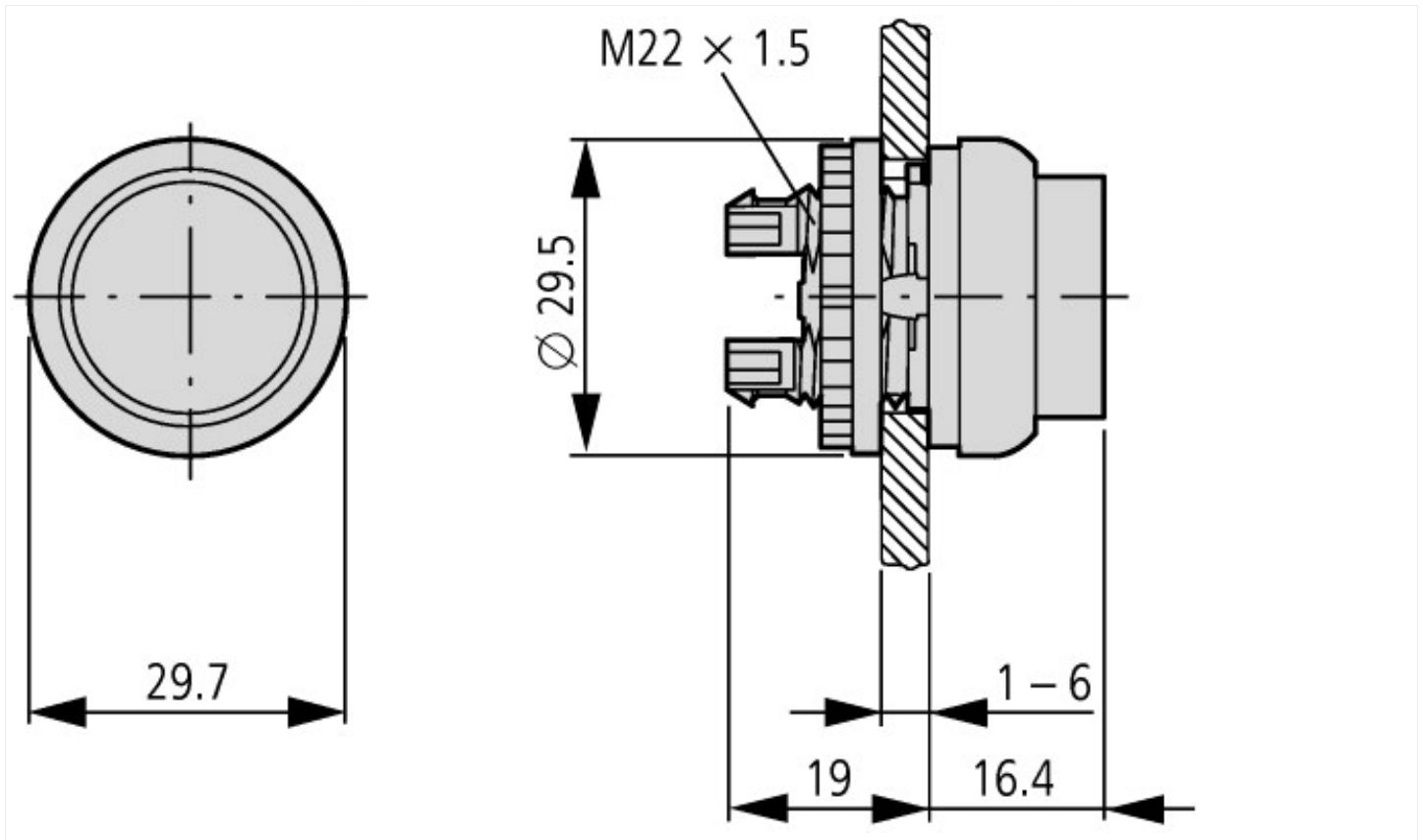
| Low-voltage industrial components (EG000017) / Front element for push button (EC000221)   |  |    |       |
|---|--|----|-------|
| Electric engineering, automation, process control engineering / Low-voltage switch technology / Command and alarm device / Front element for push-button actuators (ecl@ss10.0.1-27-37-12-10 [AKF028014]) |  |    |       |
| Colour button   |  |    | White |
| Number of command positions   |  |    | 1     |
| Construction type lens  |  |    | Round |
| Hole diameter   |  | mm | 22    |
| Width opening   |  | mm | 0     |
| Height opening  |  | mm | 0     |

|   |  |            |
|---|--|------------|
| Type of button                          |  | High       |
| Suitable for illumination               |  | No         |
| With protective cover                   |  | No         |
| Labelled                                |  | No         |
| Switching function latching             |  | Yes        |
| Spring-return                           |  | Yes        |
| With front ring                         |  | Yes        |
| Material front ring                     |  | Plastic    |
| Colour front ring                       |  | Chrome     |
| Degree of protection (IP), front side   |  | IP67/IP69K |
| Degree of protection (NEMA), front side |  | 4X         |

## Approvals

|                             |  |  |
|-----------------------------|--|--|
| Product Standards           |  | IEC/EN 60947-5; UL 508; CSA-C22.2 No. 14-05; CSA-C22.2 No. 94-91; CE marking |
| UL File No.                 |  | E29184   |
| UL Category Control No.     |  | NKCR   |
| CSA File No.                |  | 012528   |
| CSA Class No.               |  | 3211-03  |
| North America Certification |  | UL listed, CSA certified   |
| Degree of Protection        |  | UL/CSA Type 3R, 4X, 12, 13   |

## Dimensions





### Assets (links)

[Declaration of CE Conformity](#)  
00003256