

Base module washer XI/ON, tension spring, 4 connection levels, con. to C rail

Part no. XN-S4T-SBCS
Article no. 140080



Delivery program

Function			XI/ON slice card base modules
Connection levels			4 connection levels
Connection technique			Spring-loaded terminals
Function			for Slice module
Short Description			Connection to C rail
For use with			XN-2DO-24VDC-0.5A-P XN-2DO-24VDC-0.5A-N XN-2DO-24VDC-2A-P XN-2DO-120/230VAC-0.5A XN-4DO-24VDC-0.5A-P XN-2DO-R-NO XN-2DO-R-NC

Technical data

General

Standards				EN 61000-6-2 EN 61000-6-4 EN 61131-2
Potential isolation				Yes, through optocoupler
Ambient temperature		°C		0 - +55
Relative humidity				5 - 95 % (indoor), Level RH-2, no condensation (for storage at 45°C)
Harmful gases		ppm		SO ₂ : 10 (rel. humidity < 75%, no condensation) H ₂ S: 1.0 (rel. humidity < 75 %,no condensation)
Vibration resistance, operating conditions				according to IEC/EN 60068-2-6
Mechanical shock resistance		g		according to IEC 60068-2-27
Continuous shock resistance (IEC/EN 60068-2-29)				According to IEC 60068-2-29
Drop and topple				According to IEC 60068-2-31, free fall according to IEC 60068-2-32
Degree of Protection				IP20
Electromagnetic compatibility (EMC)				
ESD	Air/contact discharge	kV		EN 61100-4-2
Electromagnetic fields	(0.08...1) / (1,4...2) / (2...2,7) GHz	V/m		EN 61100-4-2
Burst				EN 61100-4-4
Surge				EN 61100-4-5
Radiated RFI		V		EN 61100-4-6
Emitted interference (radiated, high frequency)	(30...230 MHz) /	dB		EN 55016-2-3

	(230...1000 MHz)	
Voltage fluctuations/voltage dips		EN 61131-2
Type test		to EN 61131-2
Approvals		CE, cUL (where required in process)
Other technical data (sheet catalogue)		Technical Data

Terminations

Rated data			according to VDE 0611 Part 1/8.92 / IEC/EN 60947-7-1
Connection design in TOP direction			Spring-loaded/screw terminal
Stripping length		mm	8
Clamping range			max. 0.5 - 2.5 mm ²
Connectable conductors			
"e" solid H07V-U		mm ²	0.5 - 2.5
"f" flexible H 07V-K		mm ²	0.5 - 1.5
"f" with ferrules without plastic collar according to DIN 46228-1 (ferrules crimped gas-tight)		mm ²	0.5 - 1.5
"f" with ferrules with plastic collar according to DIN 46228-1 (ferrules crimped gas-tight)		mm ²	0.5 - 1.5
Gauge pin IEC/EN 60947-1			A1

Design verification as per IEC/EN 61439

Technical data for design verification			
Rated operational current for specified heat dissipation	I _n	A	0
Heat dissipation per pole, current-dependent	P _{vid}	W	0
Equipment heat dissipation, current-dependent	P _{vid}	W	0
Static heat dissipation, non-current-dependent	P _{vs}	W	0
Heat dissipation capacity	P _{diss}	W	0
Operating ambient temperature min.		°C	0
Operating ambient temperature max.		°C	55
Degree of Protection			IP20
IEC/EN 61439 design verification			
10.2 Strength of materials and parts			
10.2.2 Corrosion resistance			
			Meets the product standard's requirements.
10.2.3.1 Verification of thermal stability of enclosures			
			Meets the product standard's requirements.
10.2.3.2 Verification of resistance of insulating materials to normal heat			
			Meets the product standard's requirements.
10.2.3.3 Verification of resistance of insulating materials to abnormal heat and fire due to internal electric effects			
			Meets the product standard's requirements.
10.2.4 Resistance to ultra-violet (UV) radiation			
			Meets the product standard's requirements.
10.2.5 Lifting			
			Does not apply, since the entire switchgear needs to be evaluated.
10.2.6 Mechanical impact			
			Does not apply, since the entire switchgear needs to be evaluated.
10.2.7 Inscriptions			
			Meets the product standard's requirements.
10.3 Degree of protection of ASSEMBLIES			
			Meets the product standard's requirements.
10.4 Clearances and creepage distances			
			Meets the product standard's requirements.
10.5 Protection against electric shock			
			Does not apply, since the entire switchgear needs to be evaluated.
10.6 Incorporation of switching devices and components			
			Does not apply, since the entire switchgear needs to be evaluated.
10.7 Internal electrical circuits and connections			
			Is the panel builder's responsibility.
10.8 Connections for external conductors			
			Is the panel builder's responsibility.
10.9 Insulation properties			
10.9.2 Power-frequency electric strength			
			Is the panel builder's responsibility.
10.9.3 Impulse withstand voltage			
			Is the panel builder's responsibility.
10.9.4 Testing of enclosures made of insulating material			
			Is the panel builder's responsibility.
10.10 Temperature rise			
			The panel builder is responsible for the temperature rise calculation. Eaton will provide heat dissipation data for the devices.
10.11 Short-circuit rating			
			Is the panel builder's responsibility.
10.12 Electromagnetic compatibility			
			Is the panel builder's responsibility.
10.13 Mechanical function			
			The device meets the requirements, provided the information in the instruction leaflet (IL) is observed.

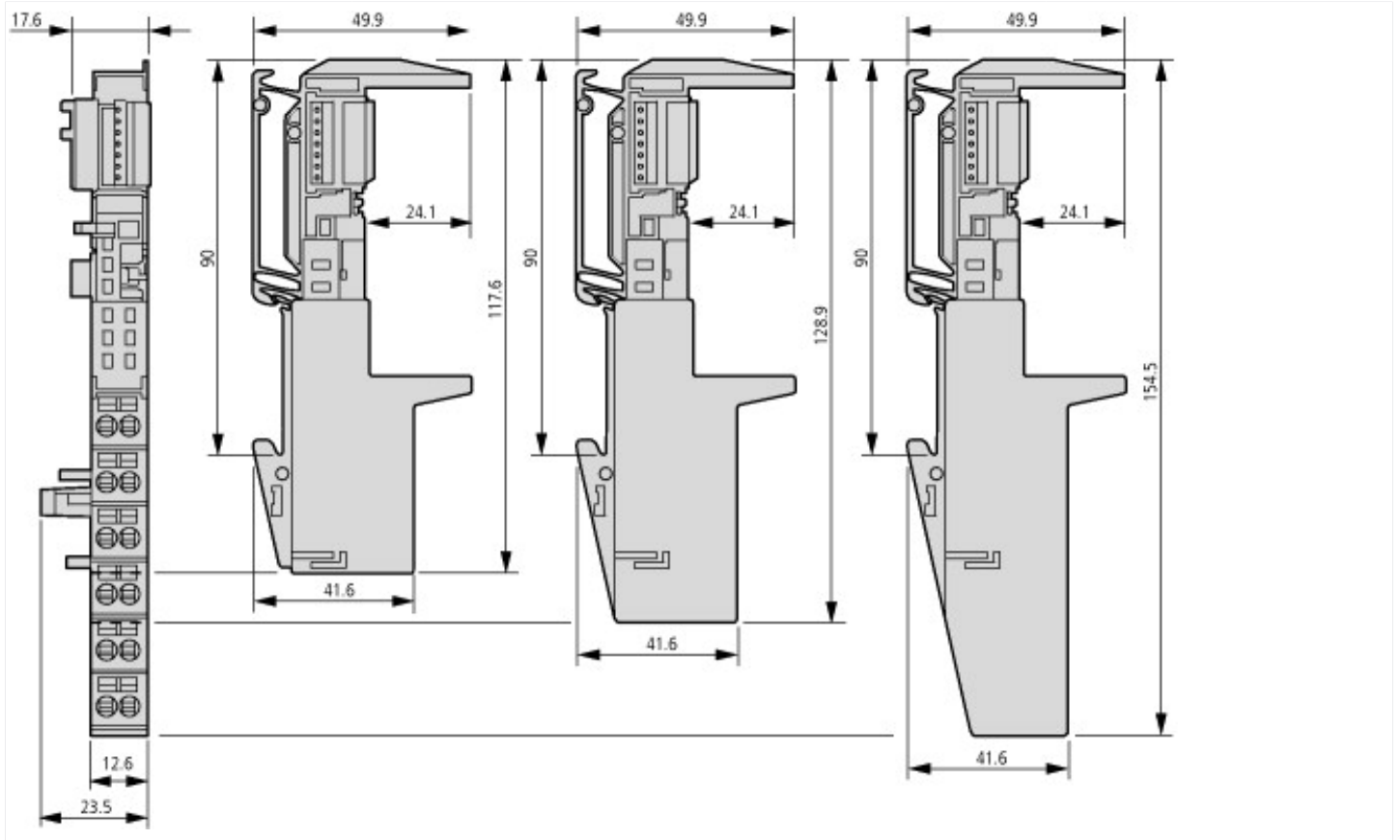
Technical data ETIM 6.0

PLC's (EG000024) / Fieldbus, decentr. periphery - mounting frame (EC001598)			
Electric engineering, automation, process control engineering / Control / Field bus, decentralized peripheral / Field bus, decentralized peripheral - module carrier (ecl@ss8.1-27-24-26-03 [BAA064010])			
With integrated power supply			Yes
Input voltage at AC 50 Hz	V		0 - 0
Input voltage at AC 60 Hz	V		0 - 0
Input voltage at DC	V		0 - 0
Type of voltage (input voltage)			DC
Max. input current AC 50 Hz	A		0
Max. input current AC 60 Hz	A		0
Max. input current DC	A		0
Output voltage at AC 50 Hz	V		0 - 0
Output voltage at AC 60 Hz	V		0 - 0
Output voltage at DC	V		0 - 0
Type of output voltage			DC
Max. output current AC 50 Hz	A		0
Max. output current AC 60 Hz	A		0
Max. output current DC	A		0
System accessory			Yes
Number of slots			1
With pluggable modules, digital I/O			Yes
With pluggable modules, analogue I/O			No
With pluggable modules, communication modules			No
With pluggable modules, function and technology modules			No
With pluggable modules, central modules			Yes
With pluggable modules, others			No
Rail mounting possible			Yes
Wall mounting/direct mounting			No
Front build in possible			No
Rack-assembly possible			No
Suitable for safety functions			No
Category according to EN 954-1			
SIL according to IEC 61508			None
Performance level acc. to EN ISO 13849-1			None
Appendant operation agent (Ex ia)			No
Appendant operation agent (Ex ib)			No
Explosion safety category for gas			None
Explosion safety category for dust			None
Width	mm		12.6
Height	mm		128.9
Depth	mm		49.9

Approvals

Product Standards			UL 508; CSA-C22.2 No. 142; IEC/EN 6113-2; CE marking
UL File No.			E205091
UL Category Control No.			NRAQ, NRAQ7
CSA File No.			UL report applies to both US and Canada
CSA Class No.			2252-01, 2252-81
North America Certification			UL recognized, certified by UL for use in Canada
Specially designed for North America			No
Current Limiting Circuit-Breaker			No
Degree of Protection			IEC: IP20, UL/CSA Type: -

Dimensions



Additional product information (links)

Technical Data

<http://ecat.moeller.net/flip-cat/?edition=HPLEN&startpage=14.111>