

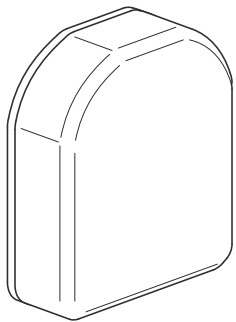
Assembly instructions
Montageanweisung
Instructions de montage
Montážní návod
Montážni návod
Montagevejledning
Instrucciones de montaje
Szerezési utasítás
Istruzioni di montaggio
Montasje anvisning
Montage instructie
Instruções de montagem
Instrukcja montażu
Montageanvisning
Asennusohjeet
Montaj talimatı
Instruțiuni de montaj
Инструкция по монтажу
οδηγία συναρμολόγησης
安装说明书
تعليمات التركيب



Danger
Lebensgefahr
Danger de mort
Nebezpečí
Nebezpečenstvo
Fare
Peligro
Életveszély
Pericolo di morte
Fare
Levensgevaar
Perigo
Niebezpieczeństwo
Varning
Vaara
Hayati Tehlike
Pericol
Опасность
κίνδυνος θανάτου
危險
خطر على الحياة

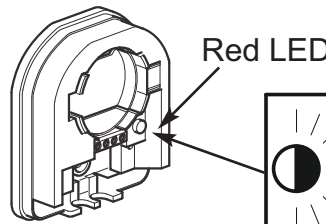


Installation by electricians only
Montage nur durch Elektrofachkräfte
Montage uniquement par un électricien
Montáž pouze osobami s elektrotechnickou kvalifikací
Montáž iba osobami s elektrotechnickou kvalifikáciou
Må kun installeres af en aut. el-installatør
Debe ser instalado por un profesional eléctrico
Csak szakképzett személy szerelheti
Montaggio esclusivamente ad opera di personale specializzato
Må monteres av autorisert installatør Gr.L
Montage alleen door elektromonteurs
Deve ser instalado por um profissional
Montaż tylko przez uprawnionych instalatorów
Får endast utföras av behörig elektriker
Asennus vain sähköasentajan toimesta
Sadece uzman kişiler monte edebilir
Instalare numai de către electricieni
Монтаж может производить только электрик
Εγκατάσταση μόνο από ηλεκτρολόγους
仅允许合格电气技师进行安装
التركيب فقط من قبل عمال كهرباء اختصاصيين



	T=-25°C - +70°C
	T=+5°C - +40°C

IP20

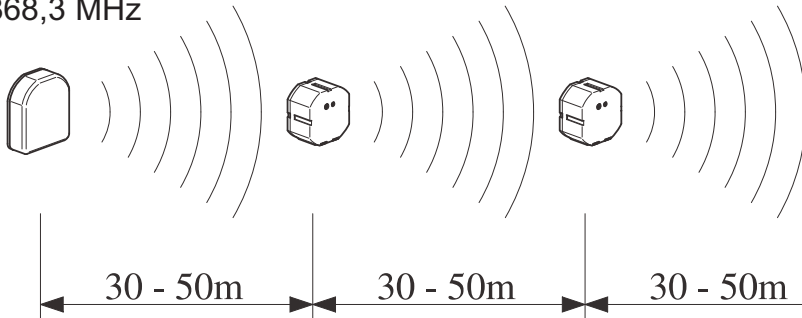


	M1	M2	M3	M4
	1x	2x	3x	4x

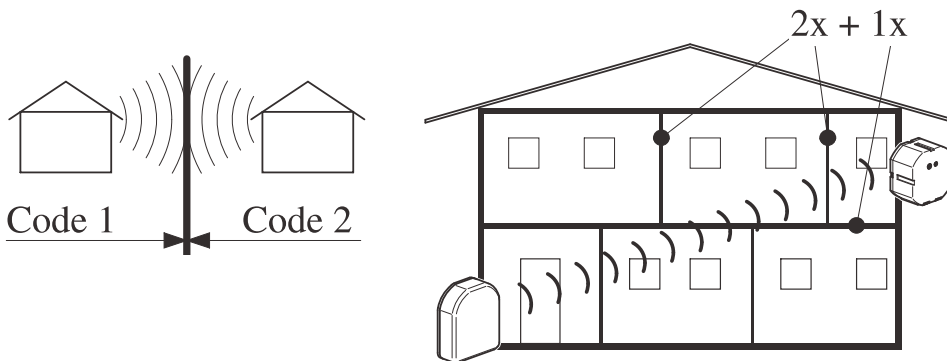
Before to create the RF link

- STEP1: Set mode (1..4) on CBEU
STEP2: Set actuator to teach-in mode
STEP3: Close contact (look at details on page 3)
STEP4: Set actuator to normal operation mode

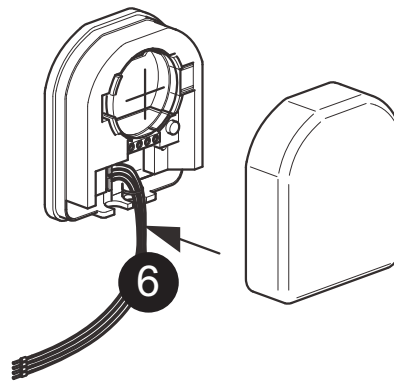
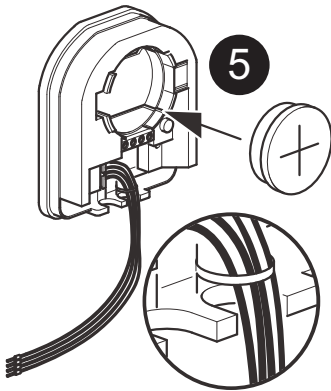
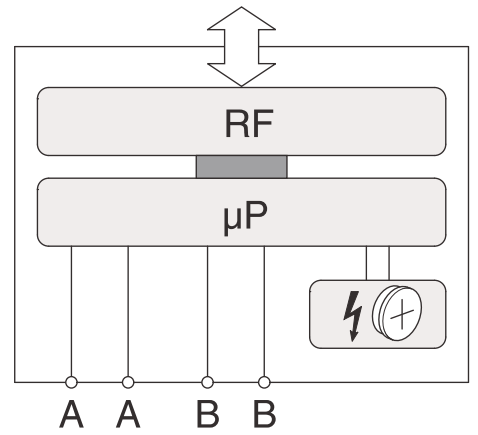
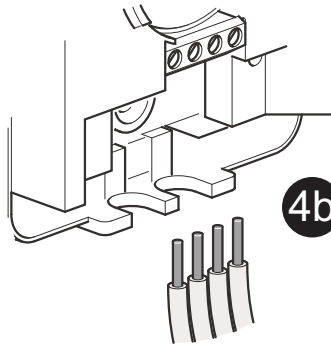
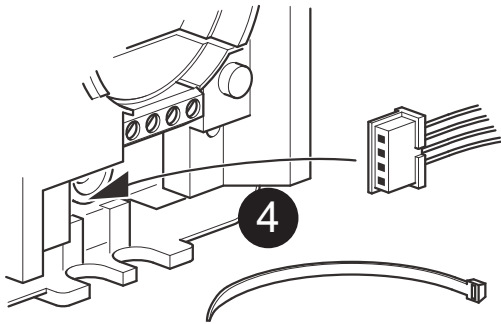
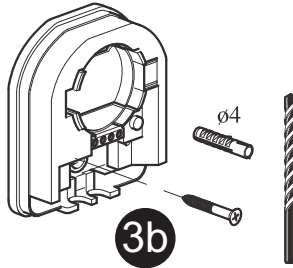
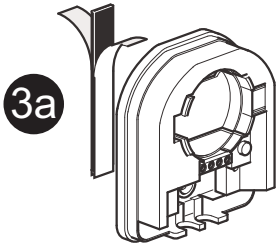
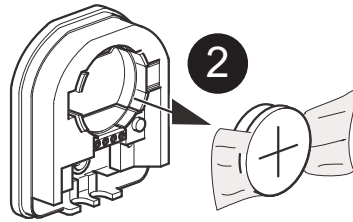
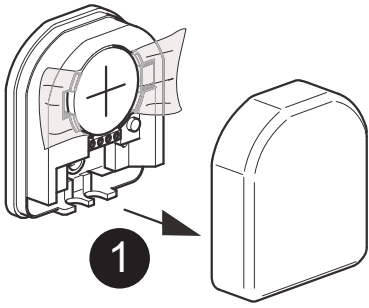
868,3 MHz



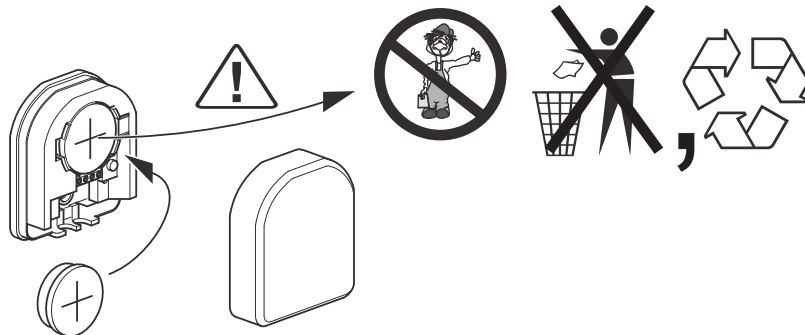
	Min. Version 1.09
	Min. Version 3.5



	ca. 60-90%	ca. 80-95%	ca. 20-60%	ca. 0-10%	ca. 70-90%



	1,5 mm ²
	5 mm



3V-CR2477N



Declaration of Conformity

We, EATON Industries (Austria) GmbH
 3943 Schrems, Eugenia 1
 Austria

declare that product (family)

Eaton - Binary input with battery power supply, CBEU-02/02

(the declaration of conformity applies to all listed types within our actual product catalog)

provided that it is installed, maintained and used in the application intended for, with respect to the relevant manufacturers instructions, installation standards and "good engineering practices"

complies with the provisions of Council directive(s):

EMC Directive 2004/108/EC

Radio and Telecommunications Terminal Equipment 99/05/EC

RoHS Directive 2011/65/EU

based on compliance with European standard(s):

EN301489-3 V1.6.1, EN300220-2 V2.4.1, EN50491-5-1/10, EN50491-5-2/10, EN60950-1/06 + A11/09 + A1/10 + A12/11 + A2/13, EN62479/10



01.12.2014

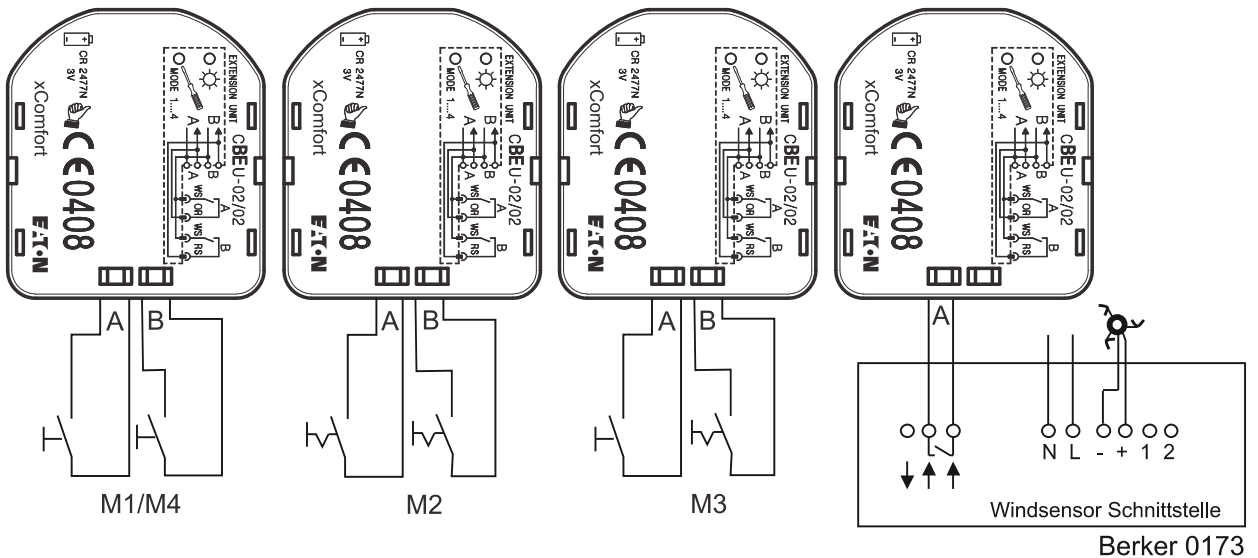
tested by:
 TÜV Austria Services GmbH, Notified Body **CE0408**
 1230 Vienna, Deutschstrasse 10, Austria

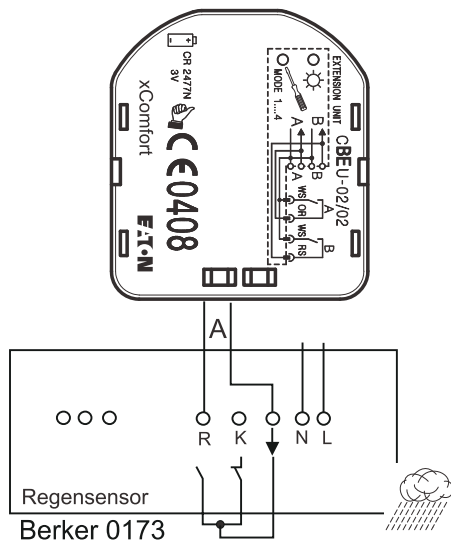
Heinz Ursprunger
 Director Product Line
 & Marketing Management

Friedrich Schröder
 Director Quality
 & EHS

Affixing date of CE mark: 2003

Doc.id.: CBEU-02/02





Configuration of CBEU

Symbols:



LED is on



LED flashes 5 times



LED is on



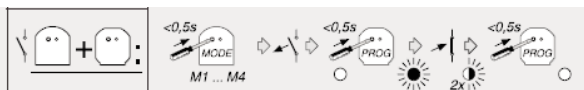
Lamp (LED) is on



Lamp (LED) is on

1. Make connection

ASSIGN SWITCH MODE (MODE 2)



1. Press the config button on CBEU (230 V version requires screwdriver) to select switch mode (Mode 2), LED flashes 2x
2. Open contact of the binary input
3. Press the config button on actuator with a screwdriver shorter than 0,5 sec => actuator enters teach-in mode, the LED in the actuator is on
4. Close contact of the binary input
5. The LED in the actuator flashes 2x for confirmation
6. Press the config button on actuator shorter than 0,5 sec => actuator leaves teach-in mode

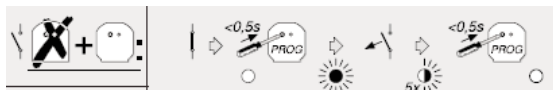
ASSIGN PUSH BUTTON MODE (MODE 1)



1. Press the config button on CBEU (230V version requires a screwdriver) to select push button mode (mode 1), LED flashes 1x
2. Press the config button on actuator with a screwdriver shorter than 0,5 sec => actuator enters teach-in mode, the LED in the actuator is on
3. Press pushbutton on the contacts of the binary input shorter than 0,5 sec
4. The LED in the actuator flashes 2x for confirmation
5. Press the config button on actuator shorter than 0,5 sec => actuator leaves teach-in mode

2. Delete connection selectively

DELETE SWITCH MODE (MODE2)



1. Press the config button on actuator with screwdriver shorter than 0,5 => actuator enters teach-in mode, the LED in the actuator is on
2. Open contact of the CBEU
3. Wait until the LED in the actuator has flashed 5 x
4. Press the config button on actuator shorter than 0,5 sec => actuator leaves teach-in mode

DELETE PUSH BUTTON MODE (MODE2)



1. Press the config button on actuator with a screwdriver shorter than 0,5 => actuator enters teach-in mode, the LED in the actuator is on
2. Press pushbutton on the contact of the binary input until LED has flashed 5 x
3. Press the config button with a screwdriver shorter than 0,5 sec => actuator leaves teach-in mode

3. Reset actuator



1. Press the config button with a screwdriver shorter than 0,5 sec => actuator enters teach-in mode, the LED in the actuator is on
2. Press the config button with a screwdriver until LED has flashed 5 x
3. The actuator leaves teach-in mode automatically after some seconds