

**EU**  
**xComfort CBMA-02/01, CMMZ-00/08**

Assembly instructions  
 Montageanweisung  
 Instructions de montage  
 Montážní návod  
 Montážní návod  
 Montagevejledning  
 Instrucciones de montaje  
 Szerelési utasítás  
 Istruzioni di montaggio  
 Montasje anvisning  
 Montage instructie  
 Instruções de montagem  
 Instrukcja montażu  
 Montageanvisning  
 Asennusohjeet  
 Montaj talimatı  
 Instrucțiuni de montaj  
 Инструкция по монтажу  
 οδηγία συναρμολόγησης  
 安装说明书  
 تعليمات التركيب



Danger  
 Lebensgefahr  
 Danger de mort  
 Nebezpečí  
 Nebezpečnostvo  
 Fare  
 Peligro  
 Életveszély  
 Pericolo di morte  
 Fare  
 Levensgevaar  
 Perigo  
 Niebezpieczeństwo  
 Varning  
 Vaara  
 Hayati Tehlike  
 Pericol  
 Опасность  
 κίνδυνος θανάτου  
 危險  
 خطر على الحياة



Installation by electricians only  
 Montage nur durch Elektrofachkräfte  
 Montage uniquement par un électricien  
 Montáž pouze osobami s elektrotechnickou kvalifikací  
 Montáž iba osobami s elektrotechnickou kvalifikáciou  
 Må kun installeres af en aut. el-installatør  
 Debe ser instalado por un profesional eléctrico  
 Csak szakképzett személy szerelheti  
 Montaggio esclusivamente ad opera di personale specializzato  
 Må monteres av autorisert installatør Gr.L  
 Montage alleen door elektromonteurs  
 Deve ser instalado por um profissional  
 Montaz tylko przez uprawnionych instalatorów  
 Får endast utföras av behörig elektriker  
 Asennus vain sähköasentajan toimesta  
 Sadece uzman kisiler monte edebilir  
 Instalare numai de catre electricieni  
 Монтаж может производить только электрик  
 Εγκατάσταση μόνο από ηλεκτρολόγους  
 仅允许合格电气技师进行安装  
 التركيب فقط من قبل عمال كهرباء الاختصاصيين



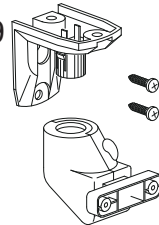
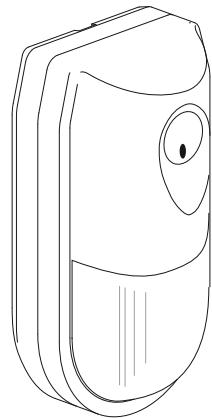
	Min. Version 1.30
	Min. Version 3.6

CBMA-02/01

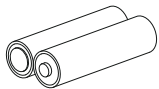
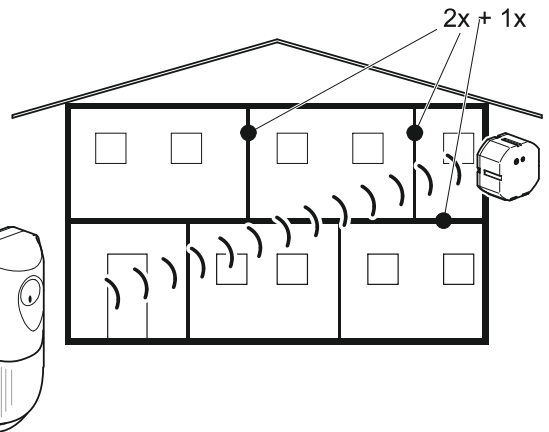
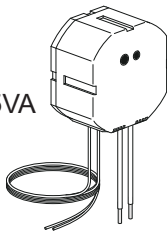
CMMZ-00/09



	T=-25°C - +75°C
	T=+5°C - +40°C

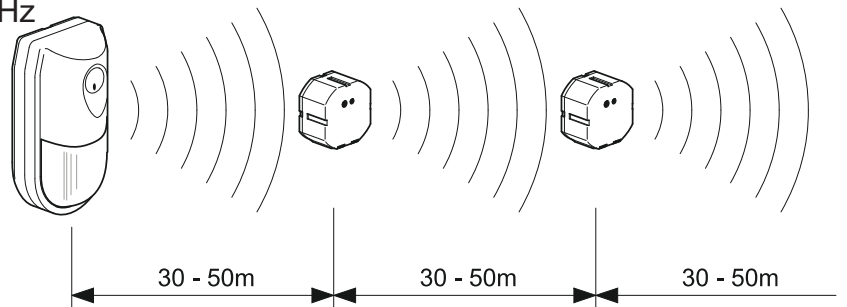
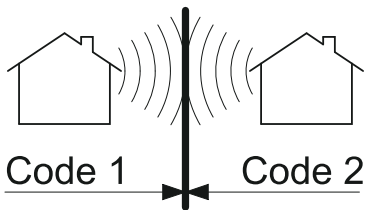


CMMZ-00/08  
 230VAC 50Hz  
 max. 14,5VAC/0,25VA

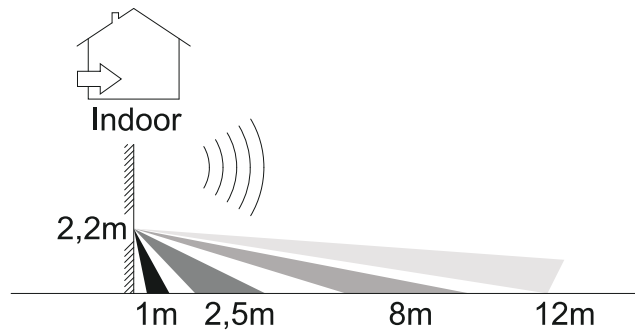
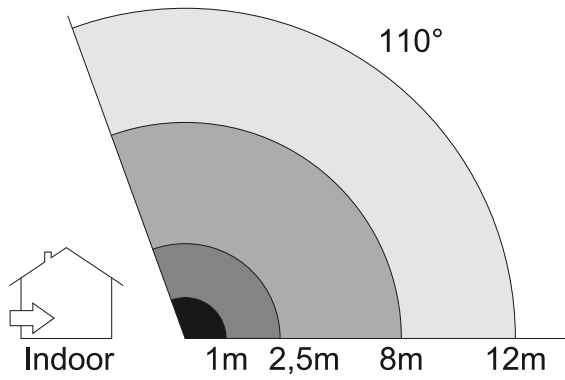


2x LR03  
 AAA-Micro-1,5V

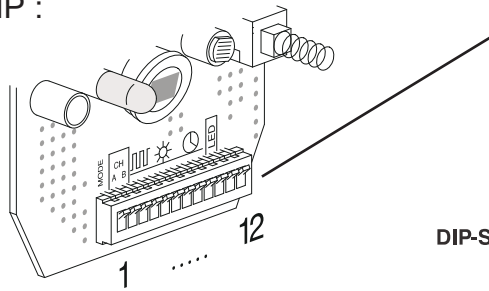
868,3 MHz



ca. 60-90%	ca. 80-95%	ca. 20-60%	ca. 0-10%	ca. 70-90%



DIP :



CMMZ-00/08

DIP-Switch

	1	2	3	4	5	6	7	8	9	10	11	12
1...ON	<input type="checkbox"/>	<input type="checkbox"/>	<input type="checkbox"/>	<input type="checkbox"/>	<input type="checkbox"/>	<input type="checkbox"/>	<input type="checkbox"/>	<input type="checkbox"/>	<input type="checkbox"/>	<input type="checkbox"/>	<input type="checkbox"/>	<input type="checkbox"/>
0...OFF	<input type="checkbox"/>	<input type="checkbox"/>	<input type="checkbox"/>	<input type="checkbox"/>	<input type="checkbox"/>	<input type="checkbox"/>	<input type="checkbox"/>	<input type="checkbox"/>	<input type="checkbox"/>	<input type="checkbox"/>	<input type="checkbox"/>	<input type="checkbox"/>

**Mode**

Assignment	0
Operation	1

**Function**

NO channel selected	0	0
Only channel A	1	0
Only channel B	0	1
Channel A+B	1	1

**Impulses**

1	0	0
3	0	1
5	1	0
7	1	1

**Brightness**

Night	0	0	1	0	0
Twilight	0	1	1	0	1
Day & night	1	0	1	1	0
No function	1	1	1	1	1

**Select Turn-off delay**

0	See Turn-off delay 8-10
1	3 s

**Test-LED**

0	LED Off
1	LED On

**Turn-off delay**

0	0	0	30 s
0	0	1	1 min.
0	1	0	2 min.
0	1	1	3 min.
1	0	0	5 min.
1	0	1	10 min.
1	1	0	20 min.
1	1	1	30 min.

PROG

10-14,5 VAC ext.

LED

DIP

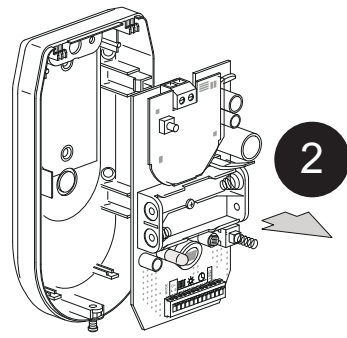
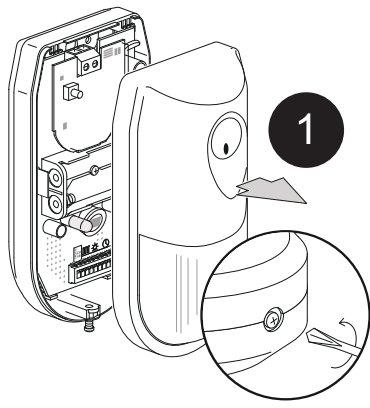
Tamper Switch

PIR-Sensor

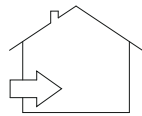
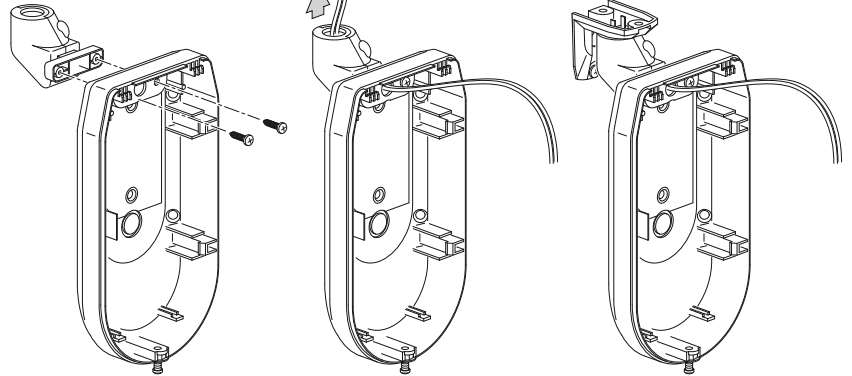
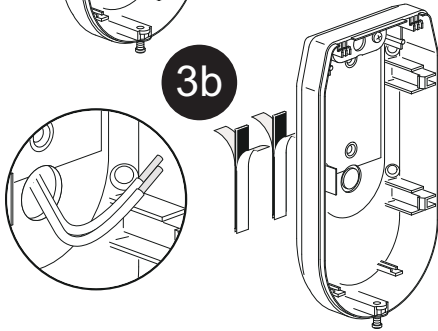
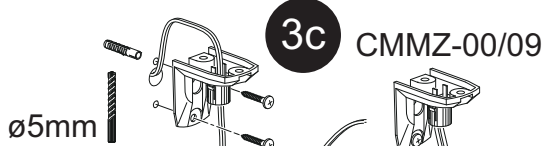
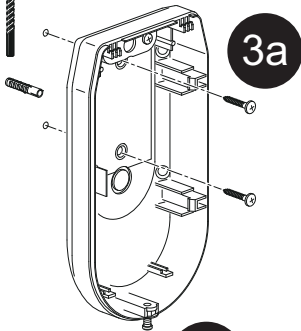
SUPPLY



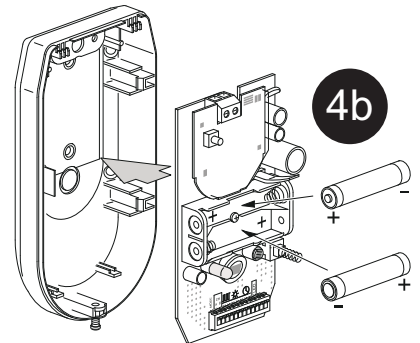
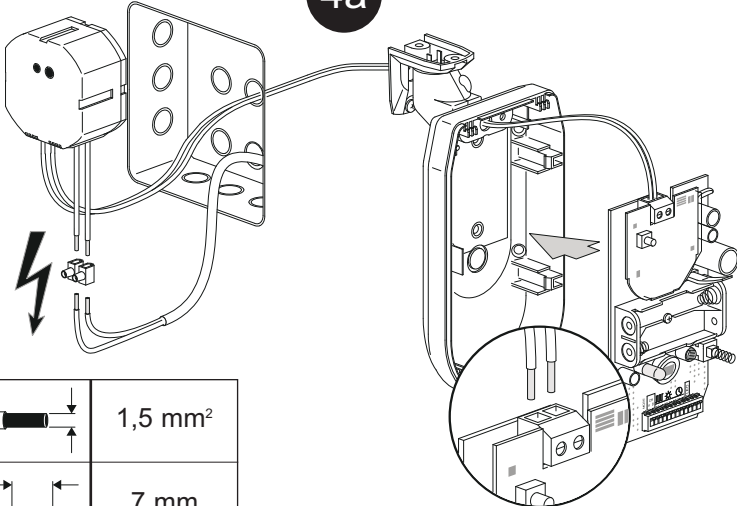
- 10-14,5 VAC ext.
- 3 VDC



ø5mm



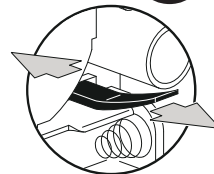
CMMZ-00/08



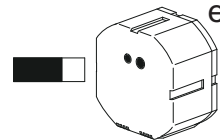
	1,5 mm <sup>2</sup>
	7 mm

	5 mm
--	------

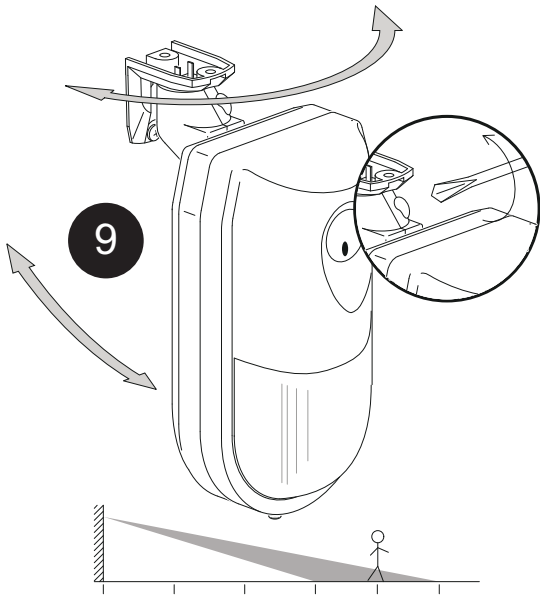
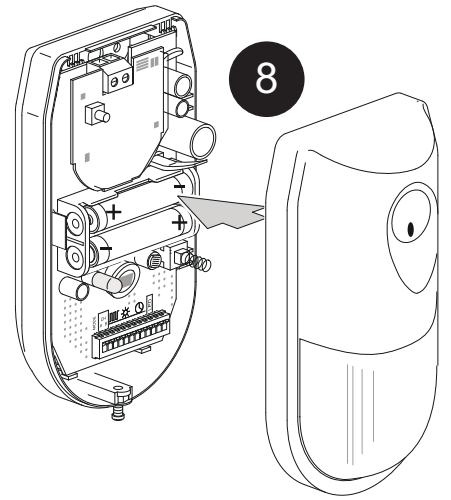
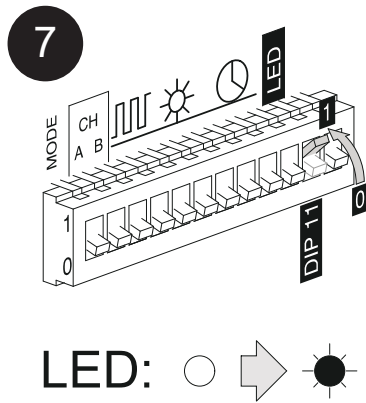
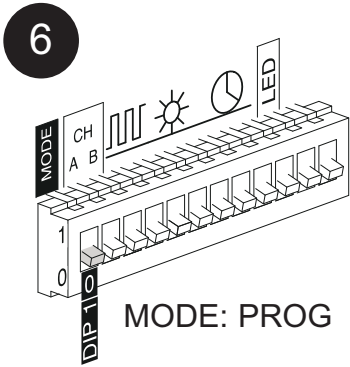
5



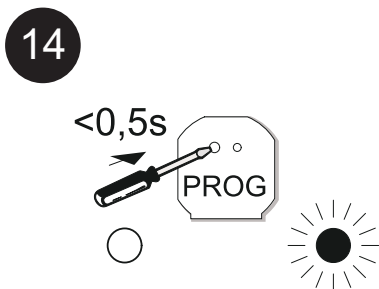
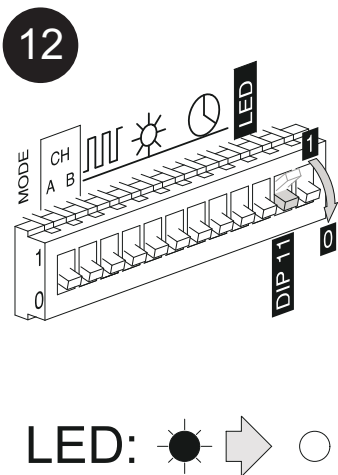
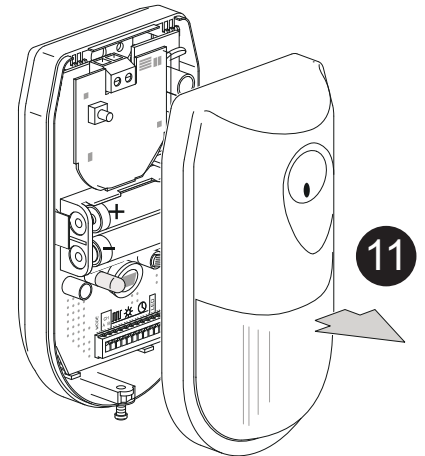
10-14,5 VAC ext.



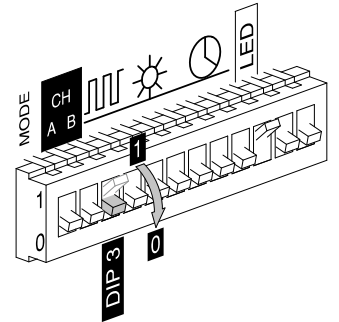
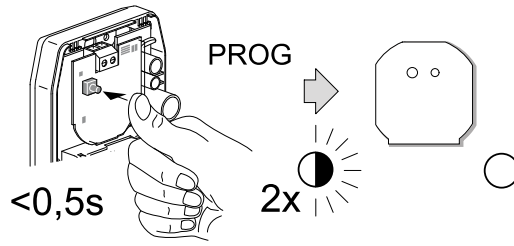
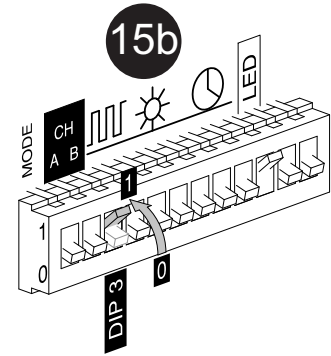
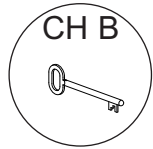
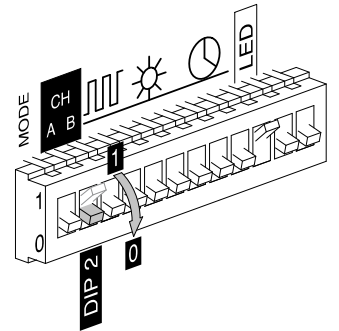
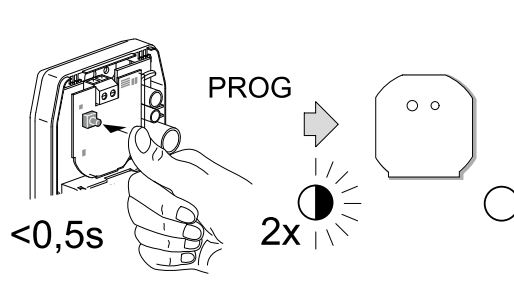
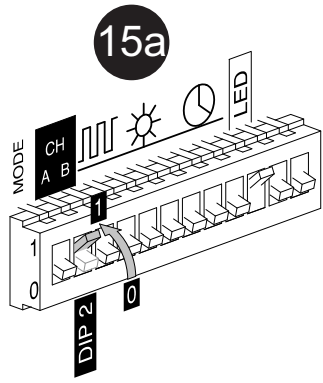
3 VDC



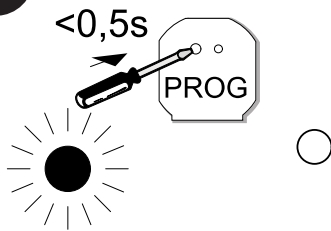
**10** **Test**



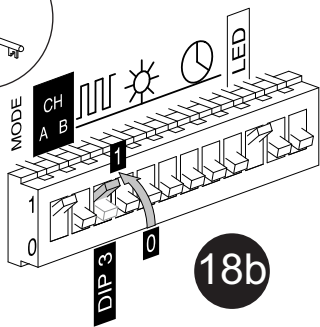
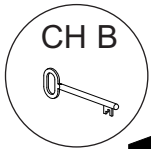
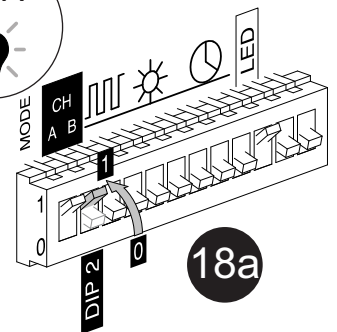
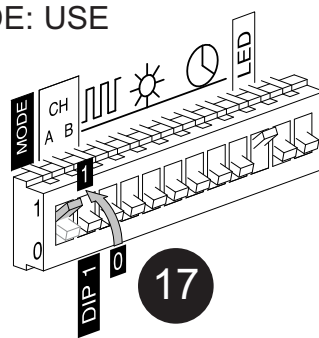
<p><b>13</b></p>	<p><b>1</b> <b>3</b> <b>5</b> <b>7</b></p>	
	<p><b>2-4 Lux</b></p> <p>☀ ↔ ☾ 10-20 Lux</p> <p>☾ + ☀</p>	
	<p>30sec <b>1min</b> 2min .....</p>	



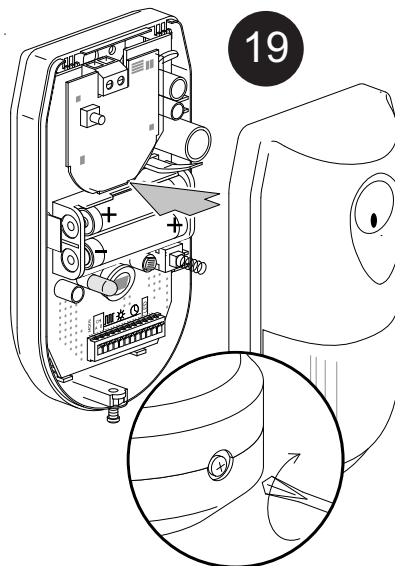
16



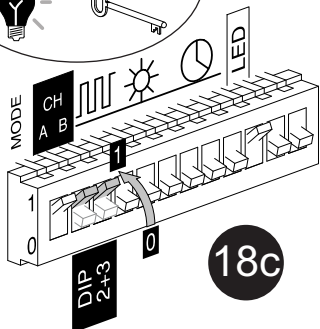
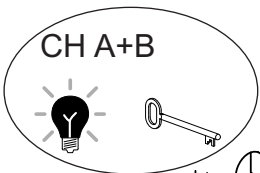
MODE: USE



18b



19



18c

20 **Test**



# Declaration of Conformity

We, EATON Industries (Austria) GmbH  
 3943 Schrems, Eugenia 1  
 Austria

declare that product (family)

## Eaton - PIR-Motion-Detector, CBMA-...

(the declaration of conformity applies to all listed types within our actual product catalog)

provided that it is installed, maintained and used in the application intended for, with respect to the relevant manufacturers instructions, installation standards and "good engineering practices"

complies with the provisions of Council directive(s):

- EMC Directive 2004/108/EC
- Radio and Telecommunications Terminal Equipment 99/05/EC
- RoHS Directive 2011/65/EU

based on compliance with European standard(s):

EN301489-3 V1.6.1, EN300220-2 V2.4.1, EN50491-5-1/10, EN50491-5-2/10, EN60950-1/06 + A11/09 + A1/10 + A12/11 + A2/13, EN62479/10



01.12.2014

tested by:  
 TÜV Austria Services GmbH, Notified Body **CE0408**  
 1230 Vienna, Deutschstrasse 10, Austria

Affixing date of CE mark: 2006  
 Doc.Id.: CBMA-...

*Heinz Ursprunger*  
 Heinz Ursprunger  
 Director Product Line  
 & Marketing Management

*Friedrich Schröder*  
 Friedrich Schröder  
 Director Quality  
 & EHS

**RF- SYSTEM**

**BASIC - MODE - CARD**

CTAA-01/01 CTAA-02/01	CBEU-02/01 CBEU-02/02 M1 M2 M3 M4 1x 2x 3x 4x	CRCA-00/01 CHSZ-00/01	CSAU-01/01 CJAU-01/01 CDAU-01/01	
--------------------------	--	--------------------------	--	--