



**Rod operation**

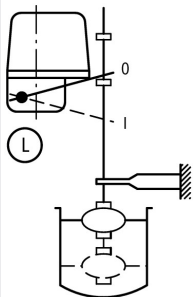
**Part no.** STO-SW  
**Catalog No.** 069608  
**Alternate Catalog No.** CTX-STO-SWQ  
**EL-Nummer (Norway)** 0004356153

**Delivery program**

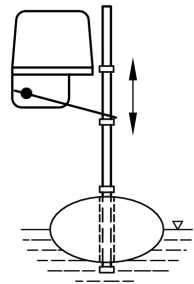
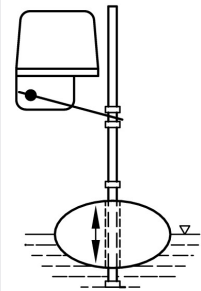
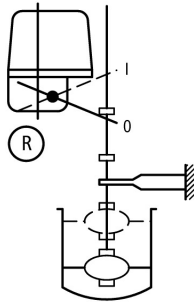
Product range		Accessories
Basic function		Rod operation kit
		Equipment supplied: 1 bracket 3 Clamp rings 1 Operating rod (insulating material, 120 cm) 2 Hexagon nut (insulating material)

**Notes**

**Pumping full:**  
Pivot point on left (state of delivery)



**Pumping dry:**  
Fulcrum right



Case 1

Case 2

The actuation mechanism can either be connected to the float switch's actuation lever (configuration 1) or to the float (configuration 2). In configuration 1, the float drives the rod and the actuation lever. In configuration 2, the float and the rod drive the actuation lever. The latter configuration should especially be used in applications with sewage pumps.

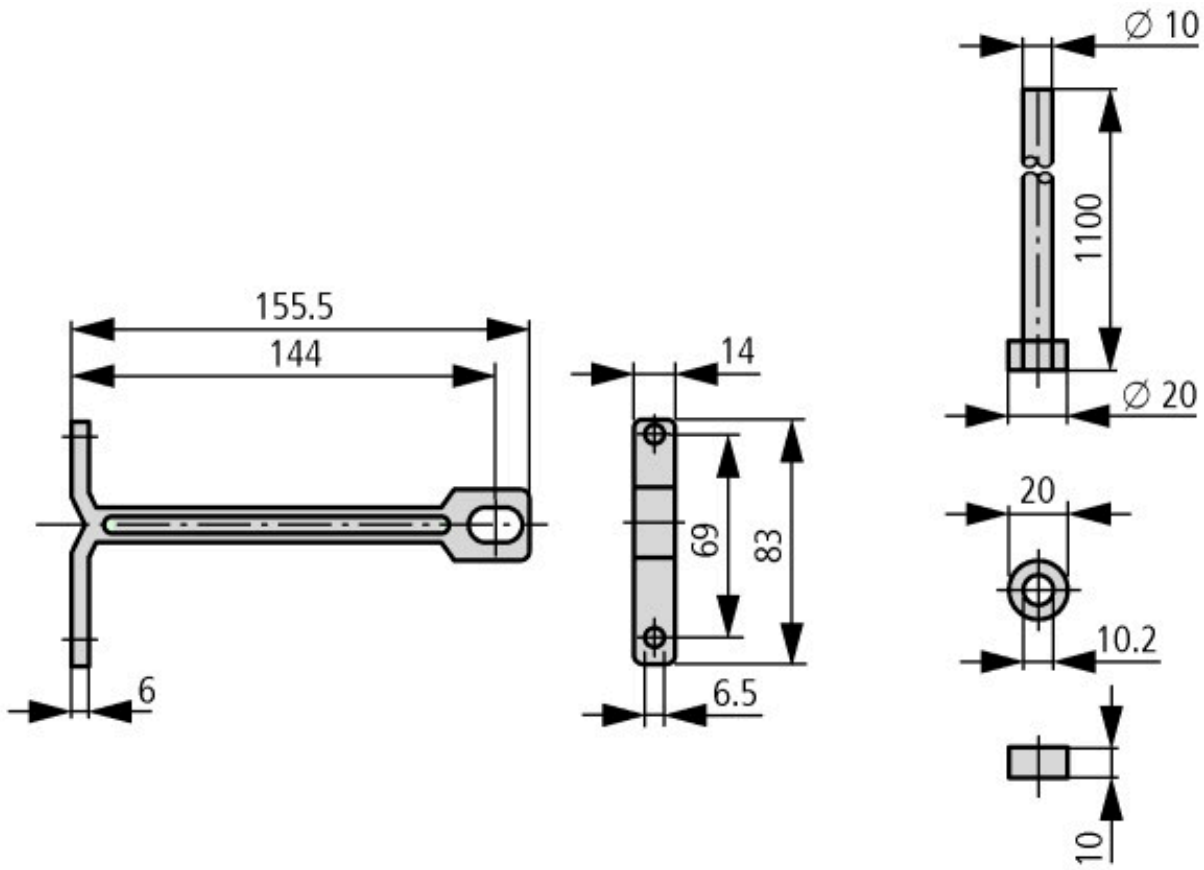
**Design verification as per IEC/EN 61439**

Technical data for design verification		
Operating ambient temperature min.	°C	-25
Operating ambient temperature max.	°C	70

**Technical data ETIM 7.0**

Low-voltage industrial components (EG000017) / Accessories for control circuit devices (EC002024)		
Type of electrical accessory		Other
Type of mechanical accessory		Other

## Dimensions



Rod operation:  
Left: bracket  
Right: operating rod