

Base module washer XI/ON, for feeder unit, tension spring, 4 connection levels

Part no. XN-P4T-SBBC
Article no. 140076



Delivery program

Function			XI/ON slice card base modules
Connection levels			4 connection levels
Connection technique			Spring-loaded terminals
Function			for Slice module
Short Description			Base modules for field power supply Base module for the gateway supply (with XN-BR-24VDC-D)
For use with			XN-BR-24VDC-D XN-PF-24VDC-D XN-PF-120/230VAC-D

Technical data

General			
Standards			EN 61000-6-2 EN 61000-6-4 EN 61131-2
Potential isolation			Yes, through optocoupler
Ambient temperature		°C	0 - +55
Relative humidity			5 - 95 % (indoor), Level RH-2, no condensation (for storage at 45°C)
Harmful gases		ppm	SO ₂ : 10 (rel. humidity < 75%, no condensation) H ₂ S: 1.0 (rel. humidity < 75 %,no condensation)
Vibration resistance, operating conditions			according to IEC/EN 60068-2-6
Mechanical shock resistance		g	according to IEC 60068-2-27
Continuous shock resistance (IEC/EN 60068-2-29)			According to IEC 60068-2-29
Drop and topple			According to IEC 60068-2-31, free fall according to IEC 60068-2-32
Degree of Protection			IP20
Electromagnetic compatibility (EMC)			
ESD	Air/contact discharge	kV	EN 61100-4-2
Electromagnetic fields	(0.08...1) / (1,4...2) / (2...2,7) GHz	V/m	EN 61100-4-2
Burst			EN 61100-4-4
Surge			EN 61100-4-5
Radiated RFI		V	EN 61100-4-6
Emitted interference (radiated, high frequency)	(30...230 MHz) / (230...1000 MHz)	dB	EN 55016-2-3
Voltage fluctuations/voltage dips			EN 61131-2

Type test			to EN 61131-2
Approvals			CE, cUL (where required in process)
Other technical data (sheet catalogue)			Technical Data

Terminations

Rated data			according to VDE 0611 Part 1/8.92 / IEC/EN 60947-7-1
Connection design in TOP direction			Spring-loaded/screw terminal
Stripping length		mm	8
Clamping range			max. 0.5 - 2.5 mm ²
Connectable conductors			
"e" solid H07V-U		mm ²	0.5 - 2.5
"f" flexible H 07V-K		mm ²	0.5 - 1.5
"f" with ferrules without plastic collar according to DIN 46228-1 (ferrules crimped gas-tight)		mm ²	0.5 - 1.5
"f" with ferrules with plastic collar according to DIN 46228-1 (ferrules crimped gas-tight)		mm ²	0.5 - 1.5
Gauge pin IEC/EN 60947-1			A1

Design verification as per IEC/EN 61439

Technical data for design verification			
Rated operational current for specified heat dissipation	I _n	A	0
Heat dissipation per pole, current-dependent	P _{vid}	W	0
Equipment heat dissipation, current-dependent	P _{vid}	W	0
Static heat dissipation, non-current-dependent	P _{vs}	W	0
Heat dissipation capacity	P _{diss}	W	0
Operating ambient temperature min.		°C	0
Operating ambient temperature max.		°C	55
Degree of Protection			IP20
IEC/EN 61439 design verification			
10.2 Strength of materials and parts			
10.2.2 Corrosion resistance			Meets the product standard's requirements.
10.2.3.1 Verification of thermal stability of enclosures			Meets the product standard's requirements.
10.2.3.2 Verification of resistance of insulating materials to normal heat			Meets the product standard's requirements.
10.2.3.3 Verification of resistance of insulating materials to abnormal heat and fire due to internal electric effects			Meets the product standard's requirements.
10.2.4 Resistance to ultra-violet (UV) radiation			Meets the product standard's requirements.
10.2.5 Lifting			Does not apply, since the entire switchgear needs to be evaluated.
10.2.6 Mechanical impact			Does not apply, since the entire switchgear needs to be evaluated.
10.2.7 Inscriptions			Meets the product standard's requirements.
10.3 Degree of protection of ASSEMBLIES			Meets the product standard's requirements.
10.4 Clearances and creepage distances			Meets the product standard's requirements.
10.5 Protection against electric shock			Does not apply, since the entire switchgear needs to be evaluated.
10.6 Incorporation of switching devices and components			Does not apply, since the entire switchgear needs to be evaluated.
10.7 Internal electrical circuits and connections			Is the panel builder's responsibility.
10.8 Connections for external conductors			Is the panel builder's responsibility.
10.9 Insulation properties			
10.9.2 Power-frequency electric strength			Is the panel builder's responsibility.
10.9.3 Impulse withstand voltage			Is the panel builder's responsibility.
10.9.4 Testing of enclosures made of insulating material			Is the panel builder's responsibility.
10.10 Temperature rise			The panel builder is responsible for the temperature rise calculation. Eaton will provide heat dissipation data for the devices.
10.11 Short-circuit rating			Is the panel builder's responsibility.
10.12 Electromagnetic compatibility			Is the panel builder's responsibility.
10.13 Mechanical function			The device meets the requirements, provided the information in the instruction leaflet (IL) is observed.

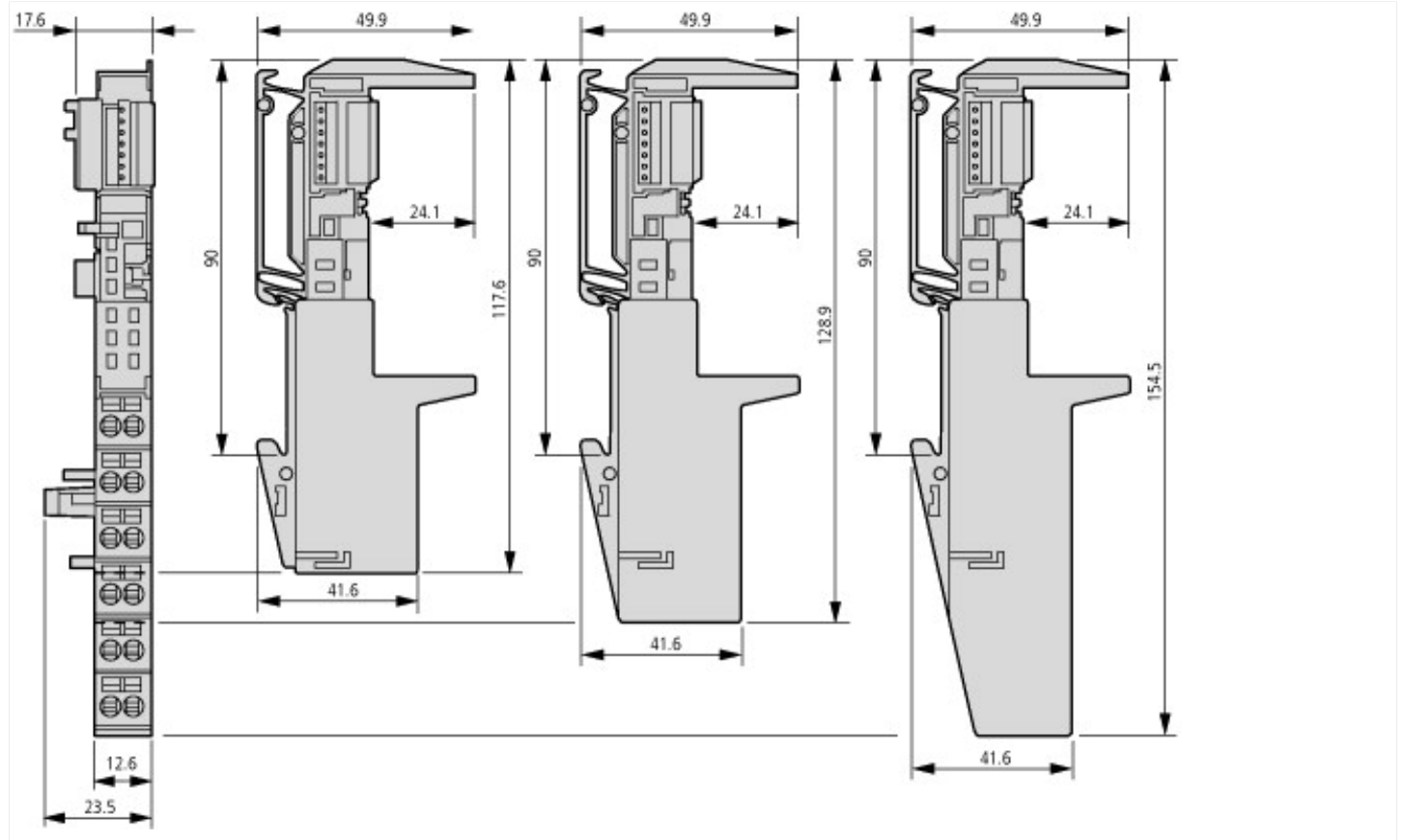
Technical data ETIM 6.0

With integrated power supply			Yes
Input voltage at AC 50 Hz	V		0 - 0
Input voltage at AC 60 Hz	V		0 - 0
Input voltage at DC	V		0 - 0
Type of voltage (input voltage)			DC
Max. input current AC 50 Hz	A		0
Max. input current AC 60 Hz	A		0
Max. input current DC	A		0
Output voltage at AC 50 Hz	V		0 - 0
Output voltage at AC 60 Hz	V		0 - 0
Output voltage at DC	V		0 - 0
Type of output voltage			DC
Max. output current AC 50 Hz	A		0
Max. output current AC 60 Hz	A		0
Max. output current DC	A		0
System accessory			Yes
Number of slots			1
With pluggable modules, digital I/O			No
With pluggable modules, analogue I/O			No
With pluggable modules, communication modules			No
With pluggable modules, function and technology modules			No
With pluggable modules, central modules			Yes
With pluggable modules, others			Yes
Rail mounting possible			Yes
Wall mounting/direct mounting			No
Front build in possible			No
Rack-assembly possible			No
Suitable for safety functions			No
Category according to EN 954-1			
SIL according to IEC 61508			None
Performance level acc. to EN ISO 13849-1			None
Appendant operation agent (Ex ia)			No
Appendant operation agent (Ex ib)			No
Explosion safety category for gas			None
Explosion safety category for dust			None
Width	mm		12.6
Height	mm		128.9
Depth	mm		49.9

Approvals

Product Standards			UL 508; CSA-C22.2 No. 142; IEC/EN 6113-2; CE marking
UL File No.			E205091
UL Category Control No.			NRAQ, NRAQ7
CSA File No.			UL report applies to both US and Canada
CSA Class No.			2252-01, 2252-81
North America Certification			UL recognized, certified by UL for use in Canada
Specially designed for North America			No
Current Limiting Circuit-Breaker			No
Degree of Protection			IEC: IP20, UL/CSA Type: -

Dimensions



Additional product information (links)

Technical Data

<http://ecat.moeller.net/flip-cat/?edition=HPLEN&startpage=14.111>