
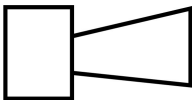




Acoustic device, 24V, continuous or pulsed tone

Part no. **SL7-AP24**
 Catalog No. **171281**
 Alternate Catalog No. **SL7-AP24**
 EL-Nummer (Norway) **4137629**

Delivery program

Product range			SL signal towers
Basic function			Acoustic module
Degree of Protection			IP66
Rated operational voltage	U_e	V	24 V AC/DC
Rated operational current	I_e	mA	92
Description			Continuous tone or pulsed tone, adjustable with internal dip switches. Sound pressure 100 db, adjustable with internal potentiometer. $f = 2800$ Hz Place only at the highest position on a pole
Colour			
Function			
Connection to SmartWire-DT			no

Technical data

General			
Standards			IEC/EN 60947-5-1
Climatic proofing			Damp heat, cyclic, to IEC 60068-2-30
Mounting position			As required
Mechanical shock resistance		g	> 15 according to IEC 60068-2-27 Shock duration 11 ms Sinusoidal
IEC degree of protection			IP66 IEC/EN 60529
Protection type UL			Type 4, 4X, 13
Material			Enclosure: Polycarbonate (PC), black Cap: Polycarbonate (PC)
Ambient temperature		°C	-30 - +60
Weight		g	102

Contacts

Rated impulse withstand voltage	U_{imp}	V AC	4000
Rated insulation voltage	U_i	V	250
Overtoltage category/pollution degree			III/3

modules

Leakage current		A	< 0.003												
Type of tone			Continuous or pulsed tone												
Types of sound			2 versions, table of sound types												
Sound setting			Internal; 1 pole DIP												
Table of sound types			Table of sound types												
			<table border="1"> <thead> <tr> <th>Sound type</th> <th>DIP switch settings</th> <th>Frequency diagram</th> <th>Repeat rate</th> <th>Special application</th> <th>Max. volume</th> </tr> </thead> <tbody> <tr> <td> </td> <td> </td> <td> </td> <td> </td> <td> </td> <td> </td> </tr> </tbody> </table>	Sound type	DIP switch settings	Frequency diagram	Repeat rate	Special application	Max. volume						
Sound type	DIP switch settings	Frequency diagram	Repeat rate	Special application	Max. volume										

			SL7-AP...	Continuous tone	Hz approx. 2800	-	-	dB 100
				Pulsed tone	approx. 2800	approx. 2 Hz	-	100
Sound pressure		dB						100
Sound pressure level adjustment								Built-in, potentiometer
Sound pressure can be lowered to a minimum of								88 dB
Transmission angle								360°
Current-/power consumption								
at 24 V AC/DC		A						0.092
Voltage range								24 V AC/DC ± 10 %

Design verification as per IEC/EN 61439

Technical data for design verification		
Operating ambient temperature min.	°C	-30
Operating ambient temperature max.	°C	60

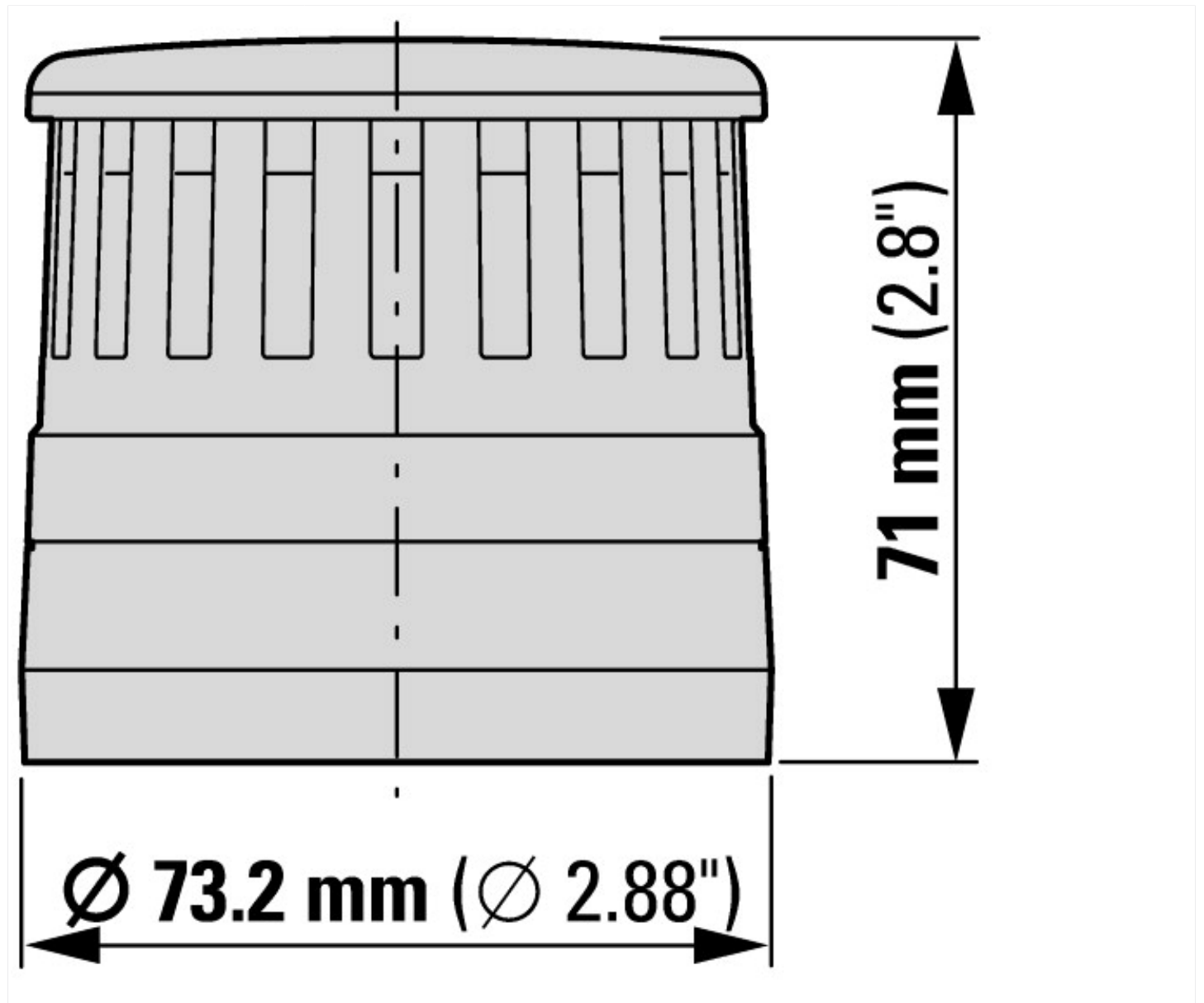
Technical data ETIM 7.0

Low-voltage industrial components (EG000017) / Acoustic module for signal tower (EC001261)		
Electric engineering, automation, process control engineering / Low-voltage switch technology / Command and alarm device / Signal column element, acoustic (ecl@ss10.0.1-27-37-12-37 [AKF055014])		
Function		Continuous tone/pulse tone
Outer diameter	mm	73
Colour		Black
Operating voltage at AC 50 Hz	V	24 - 24
Operating voltage at AC 60 Hz	V	24 - 24
Operating voltage at DC	V	24 - 24
Voltage type		AC/DC
Tone adjustable		Yes
Degree of protection (IP)		IP66
Degree of protection (NEMA)		4X
Loudness	dB	100

Approvals

Product Standards		IEC/EN 60947-5-1; UL 508; CSA-C22.2 No. 14-10; CSA-C22.2 No. 94-91; CE marking
UL File No.		E29184
UL Category Control No.		NKCR
CSA File No.		UL report applies to both US and Canada
CSA Class No.		NKCR7
North America Certification		UL listed, certified by UL for use in Canada
Degree of Protection		UL Type 4, 4X, 13

Dimensions



Assets (links)

Declaration of CE Conformity

00002899

Instruction Leaflets

IL047004ZU2018_05