


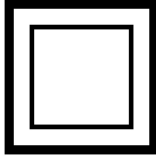
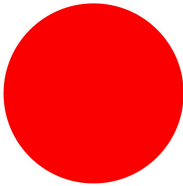


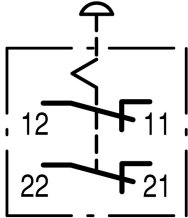


Emergency-stop key-release mushroom, 2 N/C, surface mounting






Part no. M22-PV/KC02/IY
Catalog No. 216524
Alternate Catalog No. M22-PV-KC02-IYQ
EL-Nummer (Norway) 4355297

Delivery program

| | | | |
|---|----|----|--|
| Product range | | | RMQ-Titan |
| Basic function | | | Housing Controlled stop pushbuttons/emergency-stop buttons |
| Single unit/Complete unit | | | Complete unit |
| Design | | | Mushroom-shaped |
| Diameter | ∅ | mm | 38 |
| Illumination | | | Non-illuminated |
| Approval | | |   |
| | | | Pull-to-release function |
| Connection type | | | Screw connection |
| Description | | | Tamper-proof according to ISO 13850/EN 418 |
| Colour | | | |
| Mushroom head | | | Red |
| | | |  |
| Enclosure covers | | | Yellow |
| Degree of Protection | | | IP66, IP69 |
| Connection to SmartWire-DT | | | no |
| Contacts | | | |
| N/C = Normally closed | | | 2 NC  |
| Notes | | |  = safety function, by positive opening to IEC/EN 60947-5-1 |
| Actuator travel and actuation force as per DIN EN 60947-5-1, K.5.4.1 | | | |
| | mm | | 4.8 |
| Maximum travel | mm | | 5.7 |
| Minimum force for positive opening | N | | 30 |
| Contact sequence | | |  |
| Front dimensions | | | 35 |

Technical data

General

| | | | |
|-----------------------------|--------------|---------------|--|
| Standards | | | IEC/EN 60947 VDE 0660 |
| Lifespan, mechanical | Operations | $\times 10^6$ | > 0.1 |
| Operating frequency | Operations/h | | ≤ 600 |
| Actuating force | n | | ≤ 50 |
| Climatic proofing | | | Damp heat, constant, to IEC 60068-2-78 Damp heat, cyclic, to IEC 60068-2-30 |
| Degree of Protection | | | IP66, IP69 |
| Ambient temperature | | | |
| Open | | °C | -25 - +70 |
| Mounting position | | | As required |
| Mechanical shock resistance | | g | 50 Shock duration 11 ms Sinusoidal according to IEC 60068-2-27 |
| shipping classification | | | DNV GL LR |
| | | |    |

Contacts

| | | | |
|---|-------|----|---|
| Rated conditional short-circuit current | I_q | kA | 1 |
|---|-------|----|---|

Design verification as per IEC/EN 61439

| | | | |
|--|------------|----|--|
| Technical data for design verification | | | |
| Rated operational current for specified heat dissipation | I_n | A | 6 |
| Heat dissipation per pole, current-dependent | P_{vid} | W | 0.11 |
| Equipment heat dissipation, current-dependent | P_{vid} | W | 0 |
| Static heat dissipation, non-current-dependent | P_{vs} | W | 0 |
| Heat dissipation capacity | P_{diss} | W | 0 |
| Operating ambient temperature min. | | °C | -25 |
| Operating ambient temperature max. | | °C | 70 |
| IEC/EN 61439 design verification | | | |
| 10.2 Strength of materials and parts | | | |
| 10.2.2 Corrosion resistance | | | |
| | | | Meets the product standard's requirements. |
| 10.2.3.1 Verification of thermal stability of enclosures | | | |
| | | | Meets the product standard's requirements. |
| 10.2.3.2 Verification of resistance of insulating materials to normal heat | | | |
| | | | Meets the product standard's requirements. |
| 10.2.3.3 Verification of resistance of insulating materials to abnormal heat and fire due to internal electric effects | | | |
| | | | Meets the product standard's requirements. |
| 10.2.4 Resistance to ultra-violet (UV) radiation | | | |
| | | | Please enquire |
| 10.2.5 Lifting | | | |
| | | | Does not apply, since the entire switchgear needs to be evaluated. |
| 10.2.6 Mechanical impact | | | |
| | | | Does not apply, since the entire switchgear needs to be evaluated. |
| 10.2.7 Inscriptions | | | |
| | | | Meets the product standard's requirements. |
| 10.3 Degree of protection of ASSEMBLIES | | | |
| | | | Does not apply, since the entire switchgear needs to be evaluated. |
| 10.4 Clearances and creepage distances | | | |
| | | | Meets the product standard's requirements. |
| 10.5 Protection against electric shock | | | |
| | | | Does not apply, since the entire switchgear needs to be evaluated. |
| 10.6 Incorporation of switching devices and components | | | |
| | | | Does not apply, since the entire switchgear needs to be evaluated. |
| 10.7 Internal electrical circuits and connections | | | |
| | | | Is the panel builder's responsibility. |
| 10.8 Connections for external conductors | | | |
| | | | Is the panel builder's responsibility. |
| 10.9 Insulation properties | | | |
| 10.9.2 Power-frequency electric strength | | | |
| | | | Is the panel builder's responsibility. |

| | | | |
|--|--|--|--|
| 10.9.3 Impulse withstand voltage | | | Is the panel builder's responsibility. |
| 10.9.4 Testing of enclosures made of insulating material | | | Is the panel builder's responsibility. |
| 10.10 Temperature rise | | | The panel builder is responsible for the temperature rise calculation. Eaton will provide heat dissipation data for the devices. |
| 10.11 Short-circuit rating | | | Is the panel builder's responsibility. The specifications for the switchgear must be observed. |
| 10.12 Electromagnetic compatibility | | | Is the panel builder's responsibility. The specifications for the switchgear must be observed. |
| 10.13 Mechanical function | | | The device meets the requirements, provided the information in the instruction leaflet (IL) is observed. |

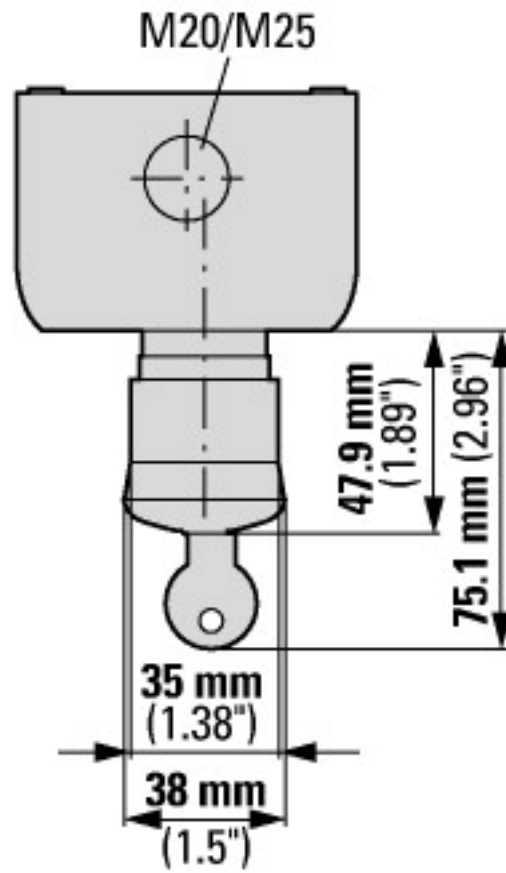
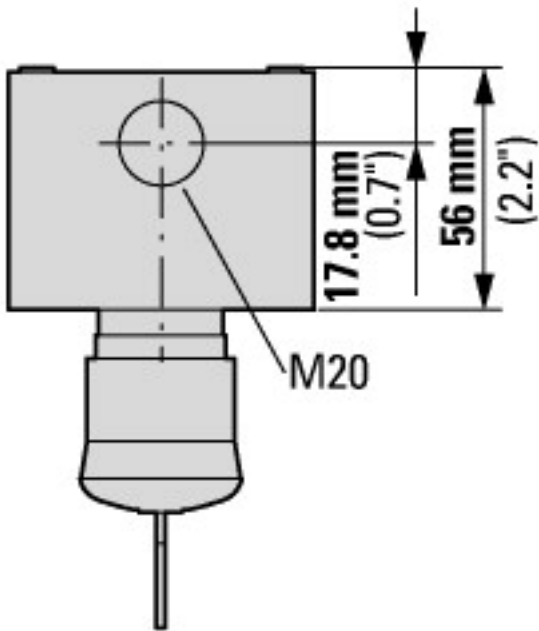
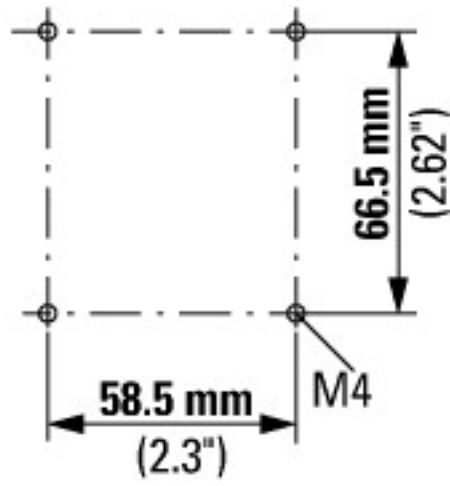
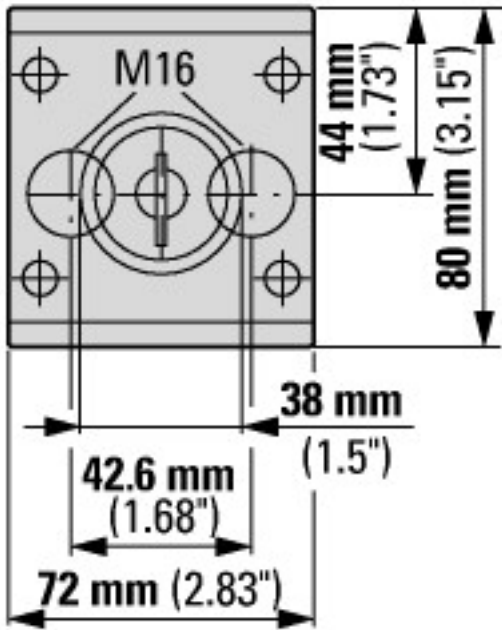
Technical data ETIM 7.0

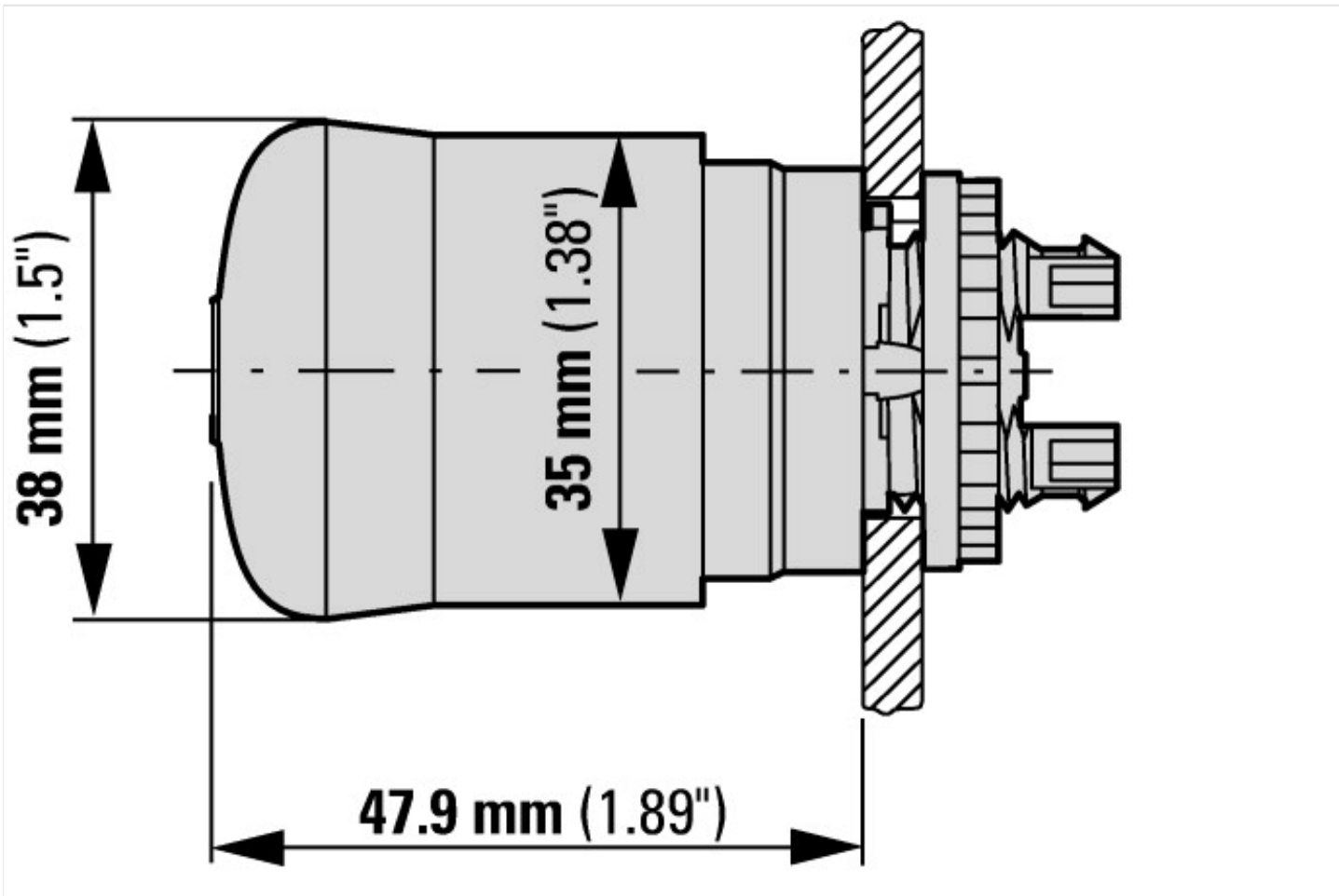
| | | | |
|---|--|---|-----------|
| Low-voltage industrial components (EG000017) / Control circuit devices combination in enclosure (EC000225) | | | |
| Electric engineering, automation, process control engineering / Low-voltage switch technology / Command and alarm device / Command and alarm device combination in housing (ecl@ss10.0.1-27-37-12-16 [AKF034014]) | | | |
| Number of command positions | | | 1 |
| Number of push buttons | | | 1 |
| Number of indicator lights | | | 0 |
| Number of key switches | | | 0 |
| Number of selector switches | | | 0 |
| Number of mushroom-shaped push-buttons | | | 0 |
| Suitable for emergency stop | | | Yes |
| Rated control supply voltage Us at AC 50HZ | | V | 115 - 500 |
| Rated control supply voltage Us at AC 60HZ | | V | 115 - 500 |
| Rated control supply voltage Us at DC | | V | 24 - 220 |
| Colour housing cover | | | Yellow |
| Material housing | | | Plastic |
| Number of contacts as normally open contact | | | 0 |
| Number of contacts as normally closed contact | | | 2 |
| Number of contacts as change-over contact | | | 0 |
| Degree of protection (IP) | | | IP66 |
| Degree of protection (NEMA) | | | 4X |

Approvals

| | | | |
|-----------------------------|--|--|--|
| Product Standards | | | IEC/EN 60947-5; UL 508; CSA-C22.2 No. 14-05; CSA-C22.2 No. 94-91; CE marking |
| UL File No. | | | E29184 |
| UL Category Control No. | | | NKCR |
| CSA File No. | | | 012528 |
| CSA Class No. | | | 3211-03 |
| North America Certification | | | UL listed, CSA certified |
| Degree of Protection | | | UL/CSA Type 3R, 4X, 12, 13 |

Dimensions





Assets (links)

[Declaration of CE Conformity](#)

00003256

[Instruction Leaflets](#)

IL04716005Z2018_07