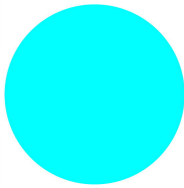





Light element, LED, blue, front mount, 85-264VAC, screw connection

Part no. **M22-LED230-B**  
 Catalog No. **218059**  
 Alternate Catalog No. **M22-LED230-BQ**  
 EL-Nummer (Norway) **4355378**

### Delivery program

|   |                 |    |  |
|---|-----------------|----|--|
| Basic function accessories  |                 |    | LED elements   |
| Connection technique  |                 |    | Screw terminals  |
| Fixing  |                 |    | Front fixing   |
| Rated operational voltage   | $U_e$           | V  | 85 - 264 V AC, 50/60 Hz  |
| <b>Rated operational current</b>  | $I_e$           | mA | 5 - 15   |
| Power consumption   | $P_{max.}$      | W  | 0.33   |
| Lifespan to EN 60064 at $t_a = +25\text{ °C}$                               | $t_{mean}$ (AC) | h  | 100000   |
| Degree of Protection  |                 |    | IP20   |
|   |                 |    | At 230 V   |
| <b>Colour</b>   |                 |    |   |
| Connection to SmartWire-DT  |                 |    | no   |
| Approval  |                 |    |  |
| <b>Actuator travel and actuation force as per DIN EN 60947-5-1, K.5.4.1</b> |                 |    |  |
| Minimum force for positive opening  | N               |    | 0  |
| Connection technique  |                 |    | Screw terminals  |

**Notes**

For indicator lights, illuminated pushbutton actuators, and illuminated selector switch actuators, the following applies:

M22...-R only in combination with M22-LED...-R

M22...-G only in combination with M22-LED...-G

M22...-W only in combination with M22-LED...-W

M22...-Y only in combination with M22-LED...-Y

M22...-B in combination with M22-LED...-W or M22-LED...-B

### Technical data

**General**

|                                    |  |    |  |
|------------------------------------|--|----|--|
| Standards                          |  |    | IEC 60947-5-1  |
| Operating torque (screw terminals) |  | Nm | $\leq 0.8$   |
| Degree of Protection               |  |    | IP20   |
| Climatic proofing                  |  |    | Damp heat, constant, to IEC 60068-2-78<br>Damp heat, cyclic, to IEC 60068-2-30 |
| Ambient temperature                |  |    |  |
| Open                               |  | °C | -25 - +70  |

|  |  |                 |   |
|--|--|-----------------|---|
| Storage  |  | °C              | - 40 - + 80   |
| Mounting position  |  |                 | As required   |
| Mechanical shock resistance according to IEC 60068-2-27<br>Shock duration 11 ms, half-sinusoidal |  | g               | > 30  |
| Mechanical shock resistance  |  | g               | 30<br>Shock duration 11 ms<br>Sinusoidal<br>according to IEC 60068-2-27 |
| Terminal capacities  |  | mm <sup>2</sup> |   |
| Solid  |  | mm <sup>2</sup> | 0.75 - 2.5  |
| Stranded   |  | mm <sup>2</sup> | 0.5 - 2.5   |

## Contacts

|   |                  |      |       |
|---|------------------|------|-------|
| Rated impulse withstand voltage           | U <sub>imp</sub> | V AC | 6000  |
| Rated insulation voltage                  | U <sub>i</sub>   | V    | 500   |
| Overvoltage category/pollution degree     |                  |      | III/3 |
| Indoor and protected outdoor installation |                  |      |       |

## Design verification as per IEC/EN 61439

|  |                   |    |  |
|--|-------------------|----|--|
| Technical data for design verification   |                   |    |  |
| Rated operational current for specified heat dissipation   | I <sub>n</sub>    | A  | 0  |
| Heat dissipation per pole, current-dependent   | P <sub>vid</sub>  | W  | 0  |
| Equipment heat dissipation, current-dependent  | P <sub>vid</sub>  | W  | 0  |
| Static heat dissipation, non-current-dependent   | P <sub>vs</sub>   | W  | 1  |
| Heat dissipation capacity  | P <sub>diss</sub> | W  | 0  |
| Operating ambient temperature min.   |                   | °C | -25  |
| Operating ambient temperature max.   |                   | °C | 70   |
| IEC/EN 61439 design verification   |                   |    |  |
| 10.2 Strength of materials and parts   |                   |    |  |
| 10.2.2 Corrosion resistance  |                   |    | Meets the product standard's requirements.   |
| 10.2.3.1 Verification of thermal stability of enclosures   |                   |    | Meets the product standard's requirements.   |
| 10.2.3.2 Verification of resistance of insulating materials to normal heat   |                   |    | Meets the product standard's requirements.   |
| 10.2.3.3 Verification of resistance of insulating materials to abnormal heat and fire due to internal electric effects |                   |    | Meets the product standard's requirements.   |
| 10.2.4 Resistance to ultra-violet (UV) radiation   |                   |    | Meets the product standard's requirements.   |
| 10.2.5 Lifting   |                   |    | Does not apply, since the entire switchgear needs to be evaluated.   |
| 10.2.6 Mechanical impact   |                   |    | Does not apply, since the entire switchgear needs to be evaluated.   |
| 10.2.7 Inscriptions  |                   |    | Meets the product standard's requirements.   |
| 10.3 Degree of protection of ASSEMBLIES  |                   |    | Does not apply, since the entire switchgear needs to be evaluated.   |
| 10.4 Clearances and creepage distances   |                   |    | Meets the product standard's requirements.   |
| 10.5 Protection against electric shock   |                   |    | Does not apply, since the entire switchgear needs to be evaluated.   |
| 10.6 Incorporation of switching devices and components   |                   |    | Does not apply, since the entire switchgear needs to be evaluated.   |
| 10.7 Internal electrical circuits and connections  |                   |    | Is the panel builder's responsibility.   |
| 10.8 Connections for external conductors   |                   |    | Is the panel builder's responsibility.   |
| 10.9 Insulation properties   |                   |    |  |
| 10.9.2 Power-frequency electric strength   |                   |    | Is the panel builder's responsibility.   |
| 10.9.3 Impulse withstand voltage   |                   |    | Is the panel builder's responsibility.   |
| 10.9.4 Testing of enclosures made of insulating material   |                   |    | Is the panel builder's responsibility.   |
| 10.10 Temperature rise   |                   |    | The panel builder is responsible for the temperature rise calculation. Eaton will provide heat dissipation data for the devices. |
| 10.11 Short-circuit rating   |                   |    | Is the panel builder's responsibility. The specifications for the switchgear must be observed.                                   |
| 10.12 Electromagnetic compatibility  |                   |    | Is the panel builder's responsibility. The specifications for the switchgear must be observed.                                   |
| 10.13 Mechanical function  |                   |    | The device meets the requirements, provided the information in the instruction leaflet (IL) is observed.                         |

## Technical data ETIM 7.0

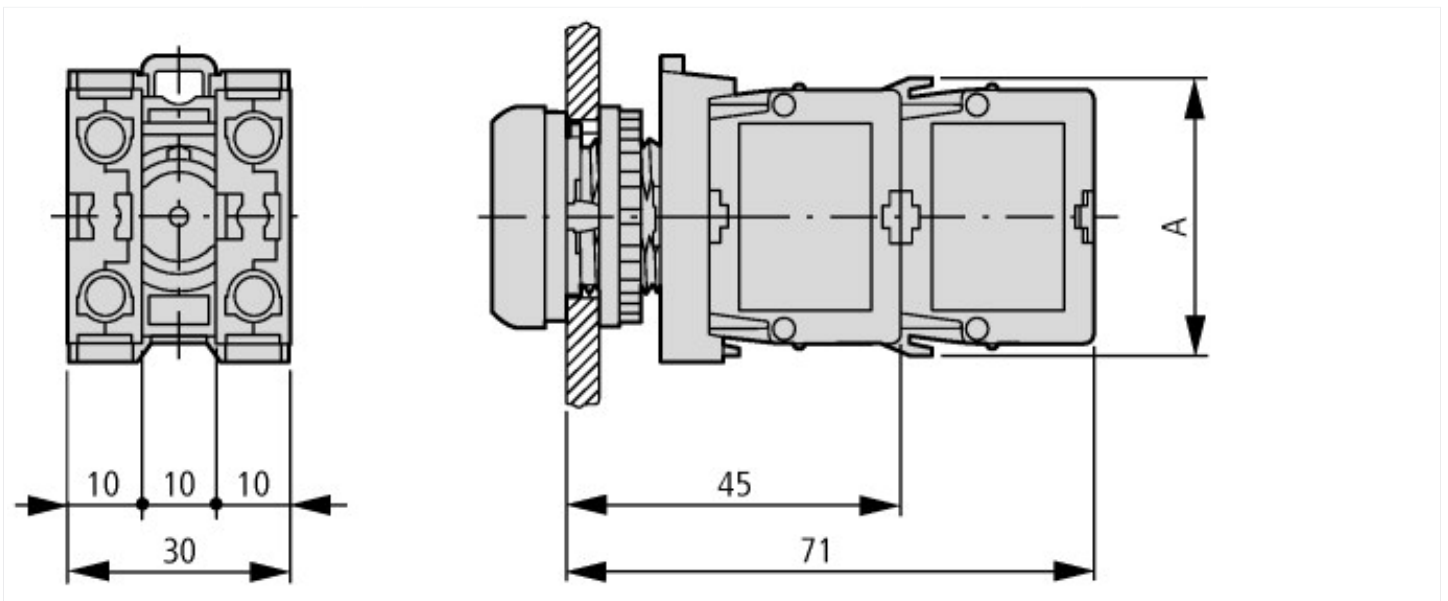
Low-voltage industrial components (EG000017) / Lamp holder block for control circuit devices (EC000204)

|   |   |                  |
|---|---|------------------|
| Transformer integrated                      |   | No               |
| With integrated voltage decreasing resistor |   | No               |
| With light source                           |   | Yes              |
| With integrated diode                       |   | Yes              |
| Lamp holder                                 |   | None             |
| Rated voltage Ue at AC 50 Hz                | V | 85 - 264         |
| Rated voltage Ue at AC 60 Hz                | V | 85 - 264         |
| Rated voltage Ue at DC                      | V | 0 - 0            |
| Voltage type for actuating                  |   | AC               |
| Lamp type                                   |   | LED              |
| Connection type auxiliary circuit           |   | Screw connection |
| Colour lamp                                 |   | Blue             |
| Type of fastening                           |   | Front fastening  |

## Approvals

|                             |  |  |
|-----------------------------|--|--|
| Product Standards           |  | IEC/EN 60947-5; UL 508; CSA-C22.2 No. 14-05; CSA-C22.2 No. 94-91; CE marking |
| UL File No.                 |  | E29184   |
| UL Category Control No.     |  | NKCR   |
| CSA File No.                |  | 012528   |
| CSA Class No.               |  | 3211-03  |
| North America Certification |  | UL listed, CSA certified   |
| Degree of Protection        |  | UL/CSA Type: -   |

## Dimensions



A = 37.2

Pushbutton with M22-(C)K...  
Pushbutton with M22-(C) LED... + M22-XLED...

## Assets (links)

### Declaration of CE Conformity

00003256