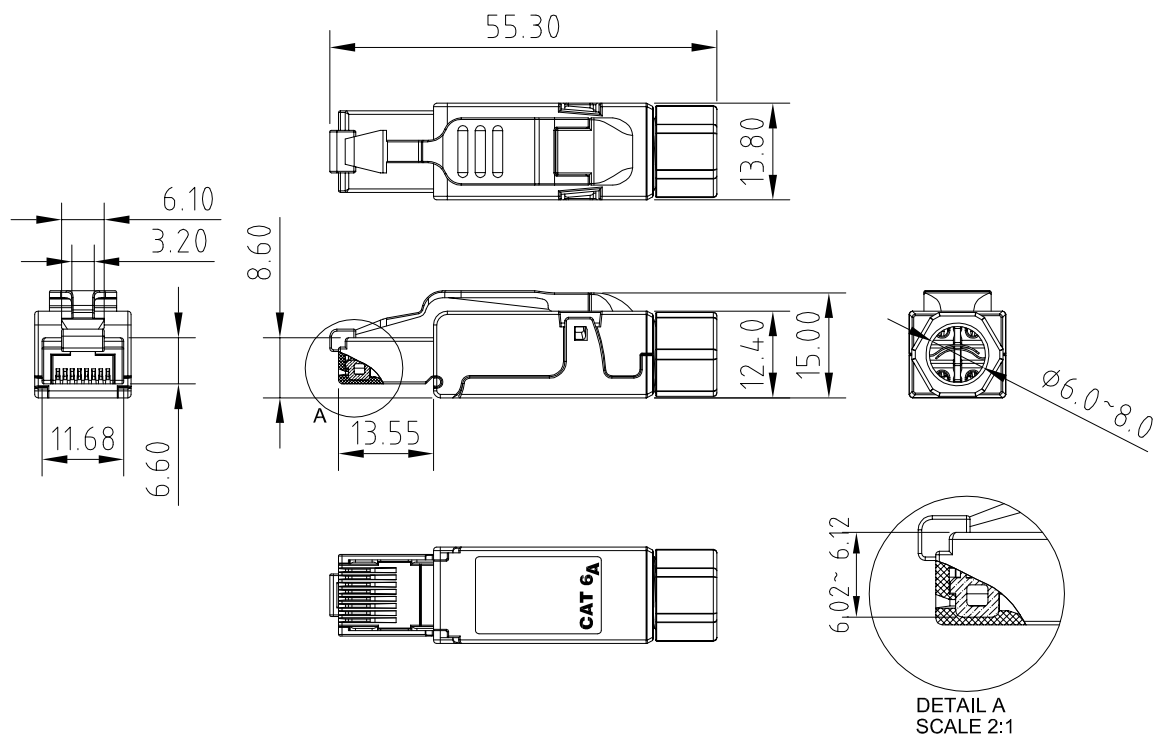
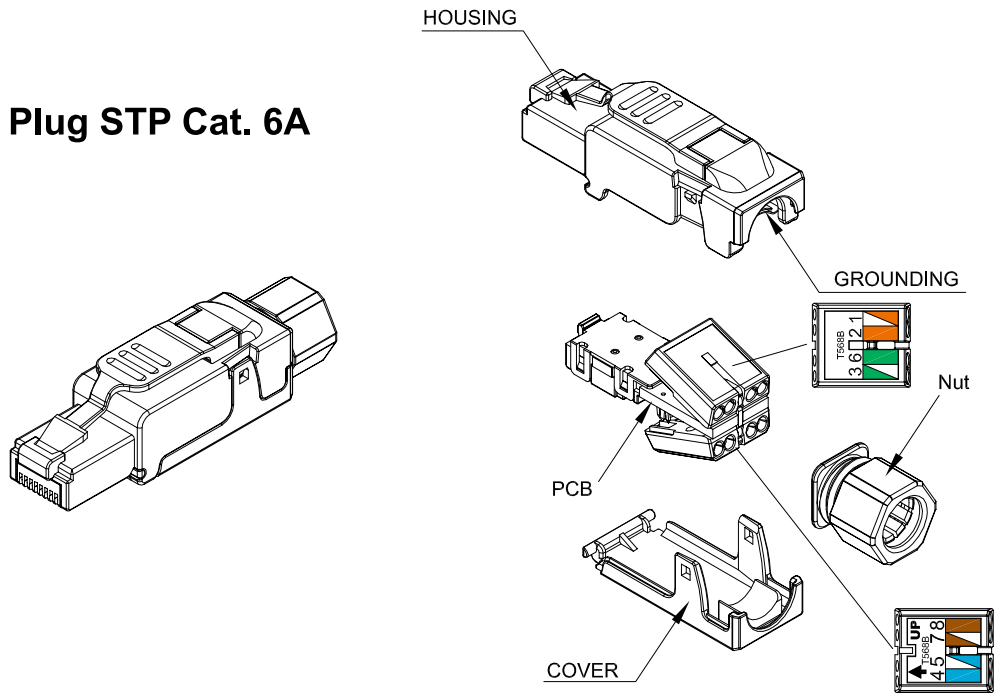


# Quick Plug STP Cat. 6A



REVISIONS				
ZONE	REV	DESCRIPTION	DATE	DRAWN
	A		06/09'15	

**TRANSMISSION PERFORMANCE**  
 Meet all requirements specified in Patch Cord requirement of  
 ISO/IEC 11801, Category 6A  
 ANSI/TIA-568-C.2, Category 6A

**ELECTRICAL**  
 Electrical Insulation Resistance : 500MΩ min. @100V d.c  
 Dielectric Withstanding Voltage : 1000V D.C or A.C Peak,  
 Contact to Contact;1500V D.C or A.C Peak,  
 Contact to Shield @ 60Hz for 1 Minute.

**MECHANICAL**  
 IDC Wire Gauge : 23 ~ 26 AWG, Stranded Wires.

**PHYSICAL**  
 Housing : Zinc-alloy fully shielded  
 Contact pin : Phosphor Bronze Alloy Plated With  
 50 micro-inch of Gold  
 IDC : Phosphor Bronze Alloy With 100  
 micro-inch 100% Sn Alloy

UNLESS OTHERWISE SPECIFIED: TOLERANCES		PROJECT ID		TITLE	
INCH	MM	ANGULAR	FILE	DATE	6970929 Lanse
.X ± .016	.X ± 0.2	X ± 1°		06/09'15	
.XX ± .008	.XX ± 0.1	.X ± .5°	MATERIAL	DRAWN	
.XXX ± .004			SURFACE	CHECK	
			FINISH	APPROVED	
SIZE	DRAWING NUMBER	PART NUMBER	REV		
A4	Z4170		A		
SCALE	1:1	UNIT	mm	SHEET 1 OF 1	