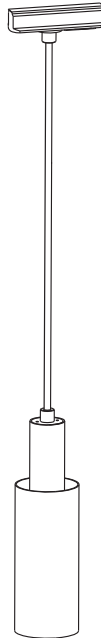
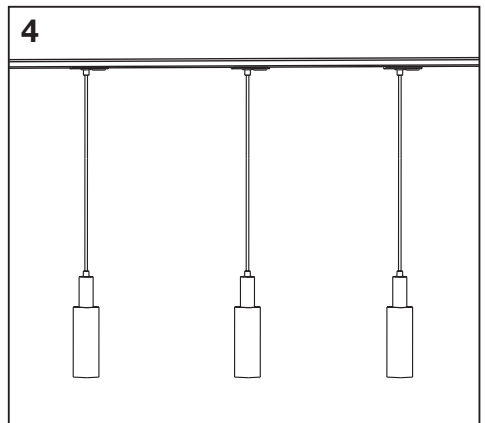
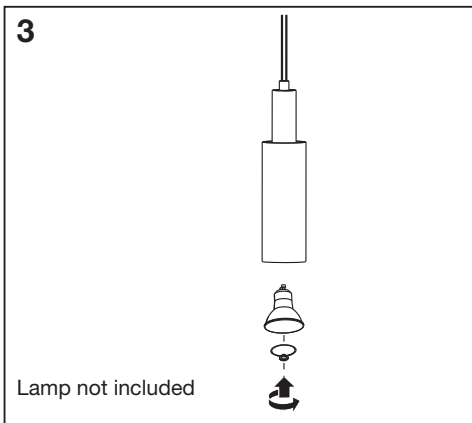
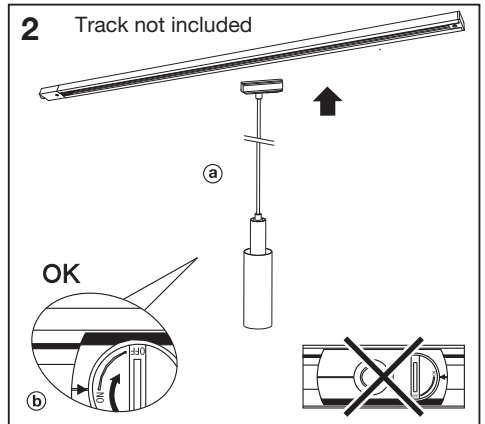
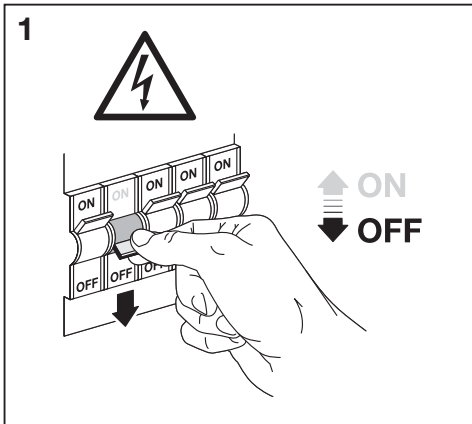
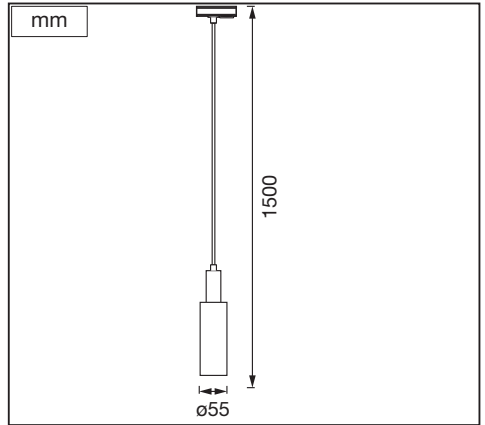
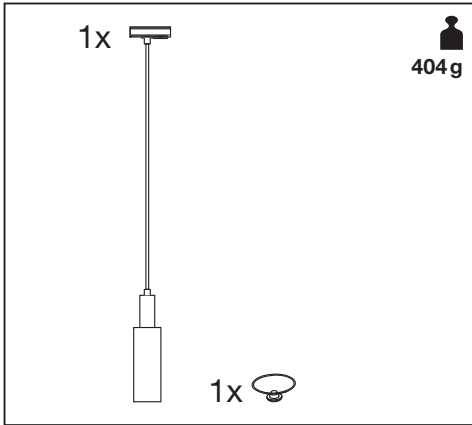

**TRACKLIGHT SPOT
GU10**

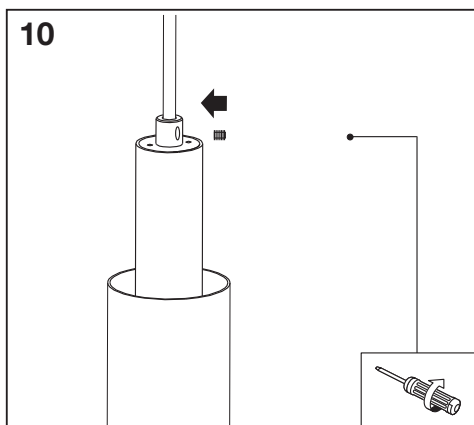
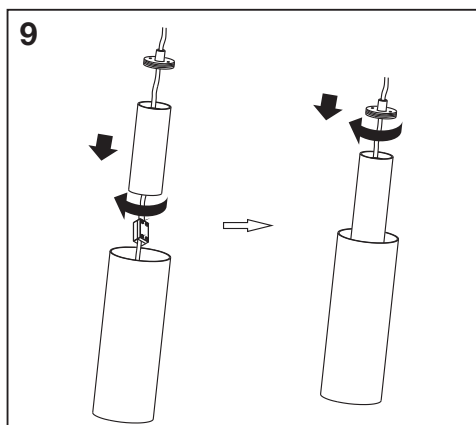
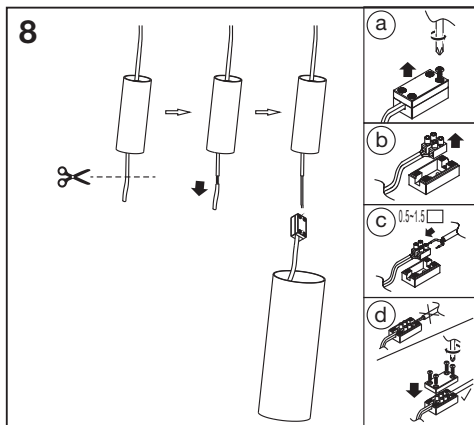
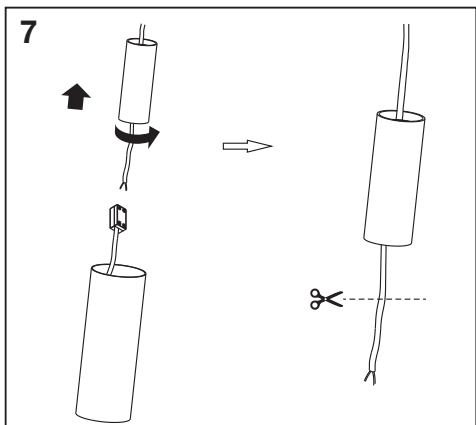
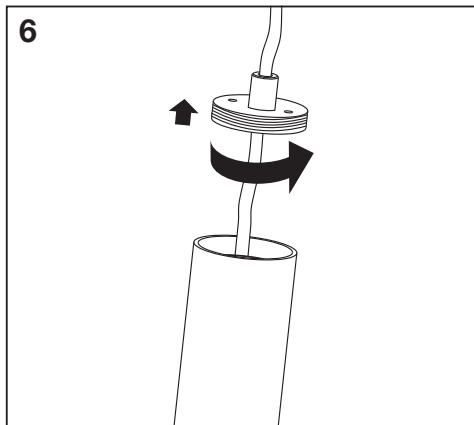
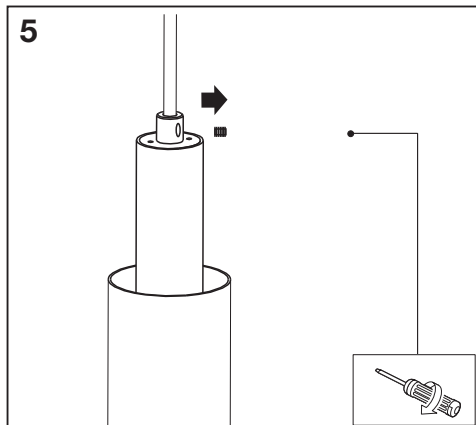


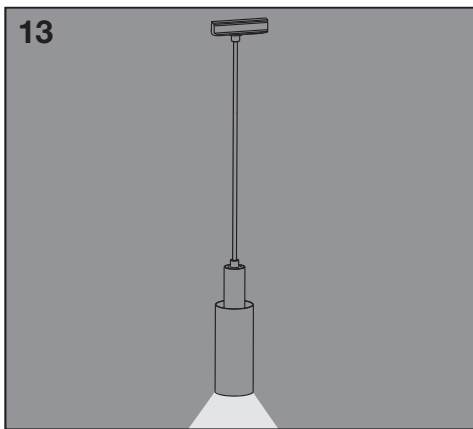
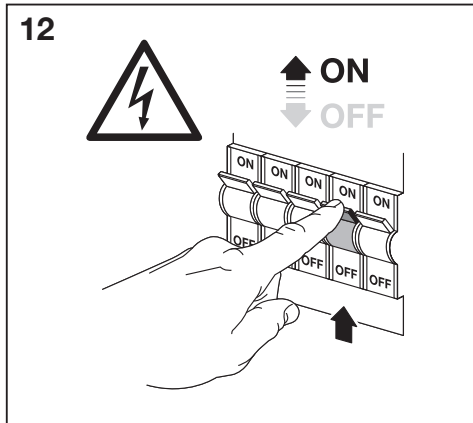
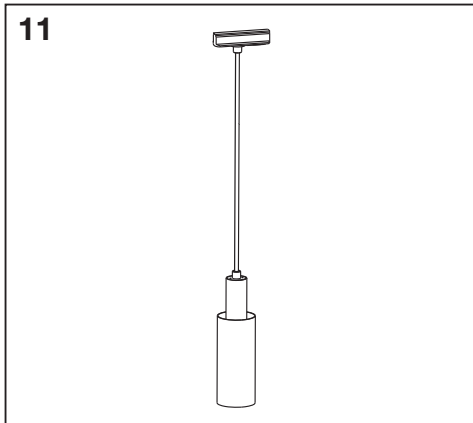
Lamps not included

	EAN	W_{max.}	θ_{1/2} (°C)	IP	V~	Hz
TRACKLIGHT PENDANT CYLINDER WT GU10	4099854012730	35	-20...+40	20	220-240	50/60
TRACKLIGHT PENDANT CYLINDER BK GU10	4099854012754	35	-20...+40	20	220-240	50/60

TRACKLIGHT SPOT







Points de collecte sur www.quefairedemesdechets.fr

C10449057
G11145391
14.07.2022



LEDVANCE GmbH
Steinerne Furt 62
86167 Augsburg, Germany
www.ledvance.com