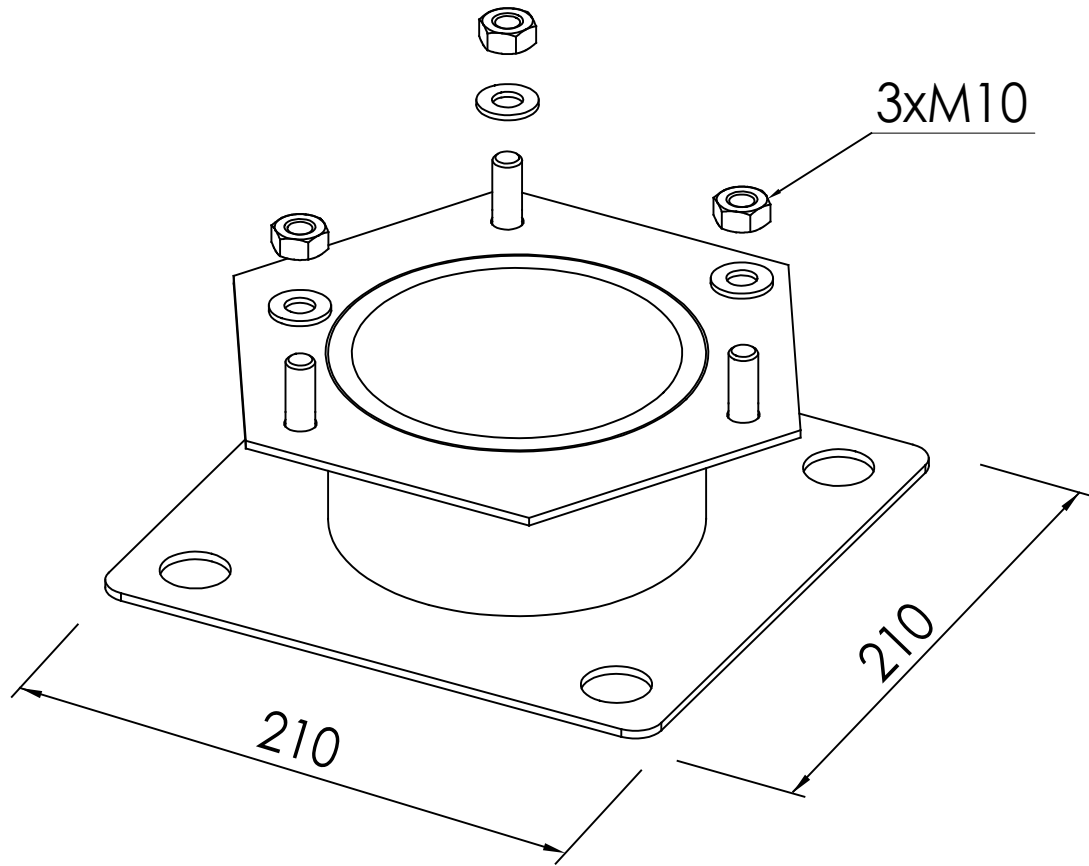
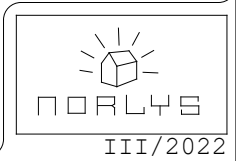


art.3088

for art.:
NARVIK

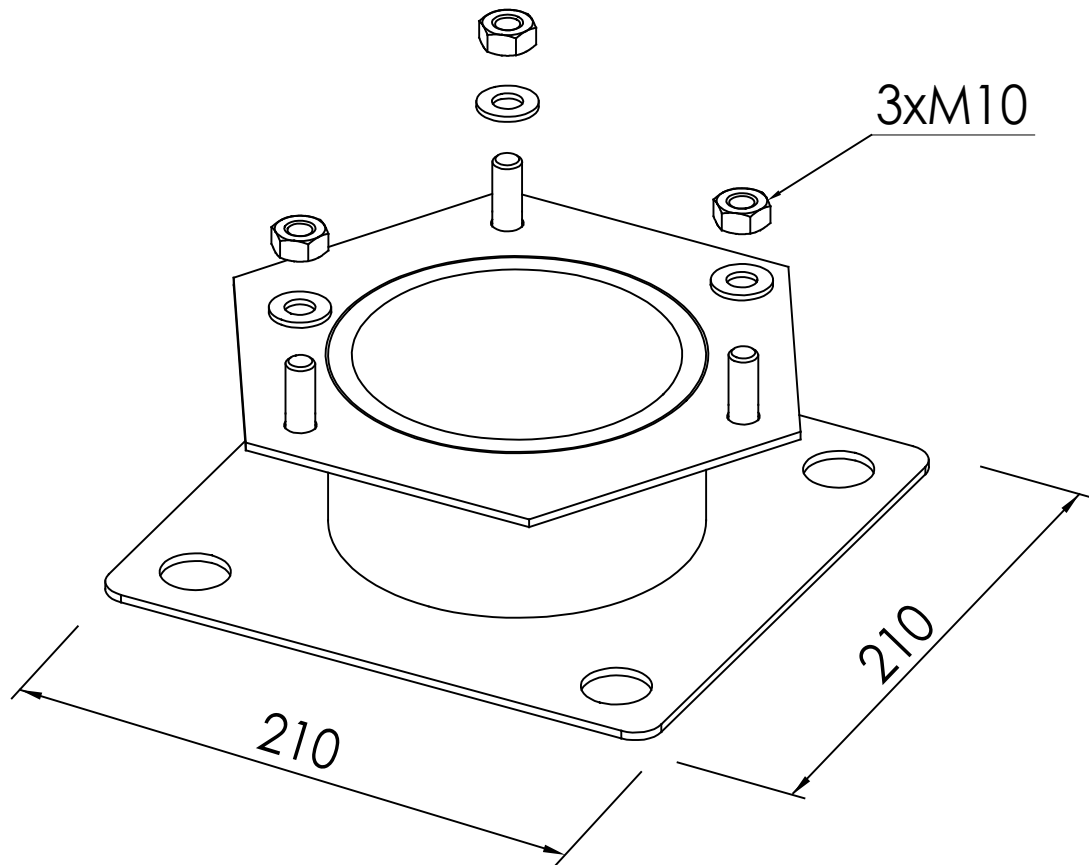


[mm]
CE



art.3088

for art.:
NARVIK



[mm]
CE

