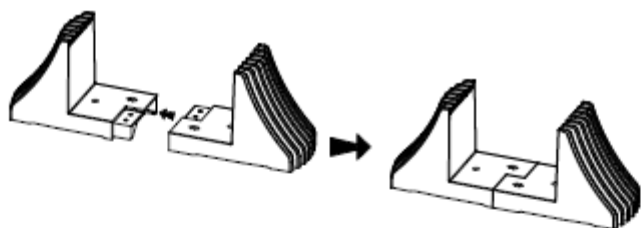
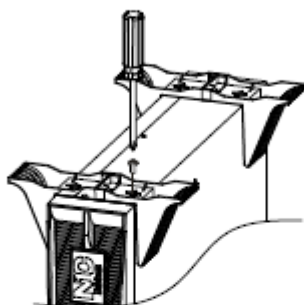


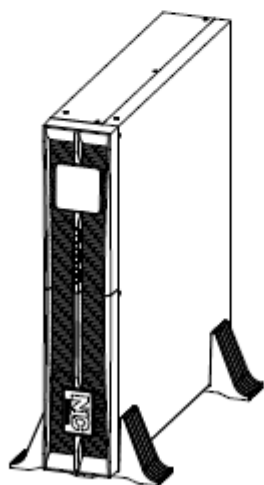
## Montering av «Tower» sett KR-serien



Step 3 Fix the bearing (two pieces) on UPS by two pieces of M4\*10TMC screws.



Step 4 Place UPS with bearings as below and set the display ways as tower-mounting, the detail refers to 2.2.1 .



---End