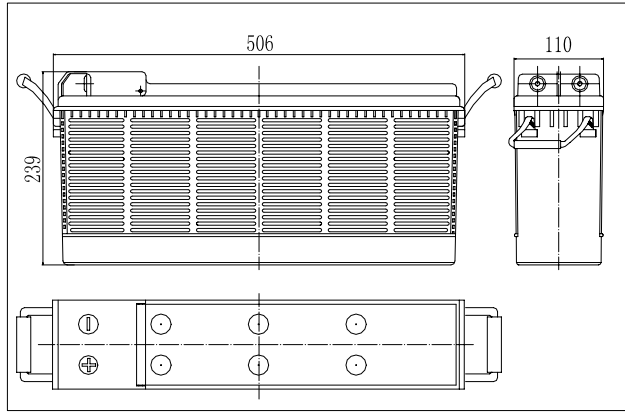
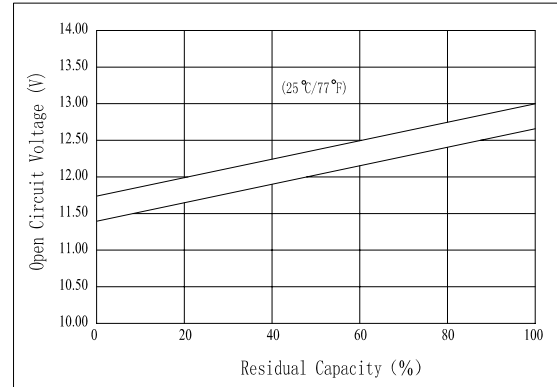


Dimensions



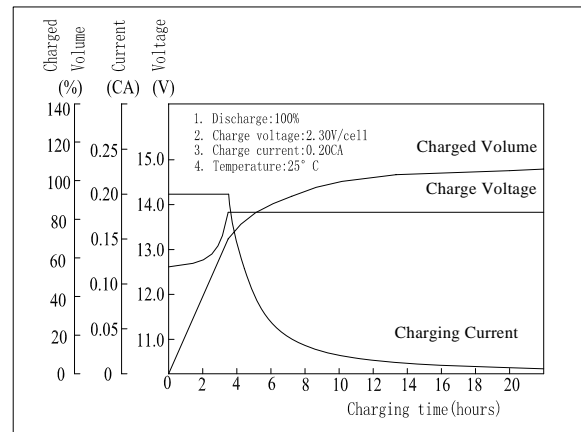
The Relationship for Open Circuit Voltage and Residual Capacity (25°C)



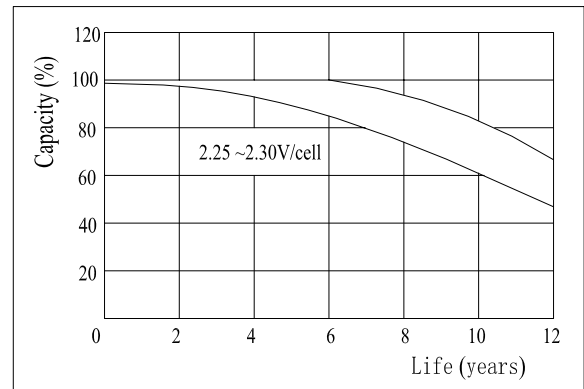
Specifications

Nominal Voltage	12 V	
Capacity(10HR, 25°C)	100 Ah	
Dimension	Length	506mm (19.92inch)
	Width	110mm (4.33inch)
	Height	224mm (8.82inch)
	Total Height	239mm (9.41inch)
Approx. Weight	32.5kg (71.7lbs)	
Internal resistance (Fully charged, 25°C)	Approx.5mΩ	
Capacity affected by temperature (10HR)	40°C	102%
	25°C	100%
	0°C	85%
	-15°C	65%
Self-discharge (25°C)	3 month	Remaining Capacity: 91%
	6 month	Remaining Capacity: 82%
	12 month	Remaining Capacity: 65%
Nominal operating temperature	25°C ± 3°C (77°F ± 5°F)	
Operating temperature range	-15°C ~ 50°C (5°F ~ 122°F)	
Float charging voltage(25°C)	13.50 to 13.80V	
Cyclic charging voltage(25°C)	14.50 to 14.90V	
Maximum charging current	30A	
Terminal material	Copper	
Maximum discharge current	800A(5 sec.)	

Charging Characteristics(25°C)



Floating Life Characteristics (25°C)



Note: Floating life at 20°C designed for more than 12 years.

- ◆ Absorbent glass mat technology;
- ◆ Recognized by UL & CE;
- ◆ ABS container.

Constant Current Discharge Characteristics (A, 25°C)

F.V/TIME	5min	10min	15min	30min	60min	3h	5h	10h	20h
9.60V	310	213	172	108	65.0	26.4	18.5	10.3	5.35
10.2V	295	202	165	102	62.4	26.0	18.2	10.2	5.35
10.8V	277	190	157	96.7	59.3	25.5	17.8	10.0	5.30

Constant Power Discharge Characteristics (Watt, 25°C)

F.V/TIME	5min	10min	15min	30min	60min	3h	5h	10h	20h
9.60V	3255	2300	1889	1183	741	310	219	123	64.2
10.2V	3092	2185	1813	1142	711	306	215	122	64.2
10.8V	2907	2054	1722	1085	676	300	210	119	63.6