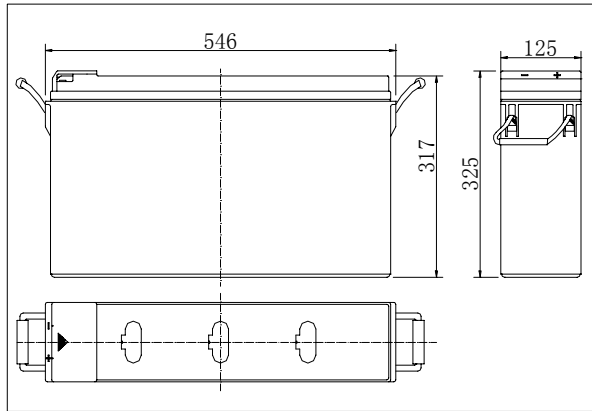
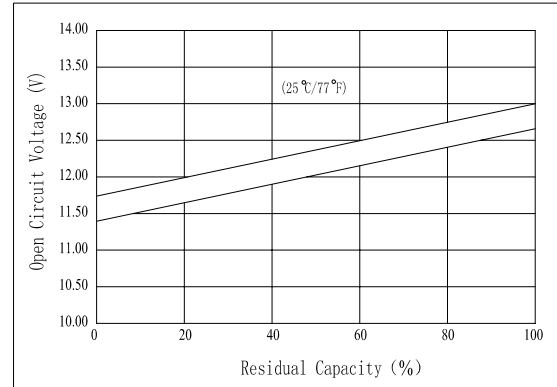


Dimensions



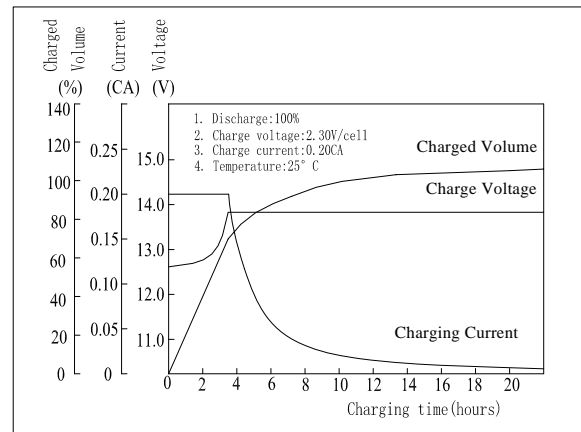
The Relationship for Open Circuit Voltage and Residual Capacity (25°C)



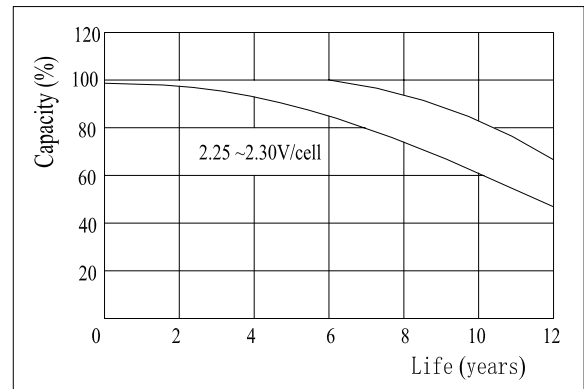
Specifications

Nominal Voltage	12 V	
Capacity(10HR, 25°C)	180 Ah	
Dimension	Length	546mm (21.5inch)
	Width	125mm (4.92inch)
	Height	317mm (12.5inch)
	Total Height	325mm (12.8inch)
Approx. Weight	59kg (130lbs)	
Internal resistance (Fully charged, 25°C)	Approx. 3.3mΩ	
Capacity affected by temperature (10HR)	40°C	102%
	25°C	100%
	0°C	85%
	-15°C	65%
Self-discharge (25°C)	3 month	Remaining Capacity: 91%
	6 month	Remaining Capacity: 82%
	12 month	Remaining Capacity: 65%
Nominal operating temperature	25°C ± 3°C (77°F ± 5°F)	
Operating temperature range	-15°C ~ 50°C (5°F ~ 122°F)	
Float charging voltage(25°C)	13.50 to 13.80V	
Cyclic charging voltage(25°C)	14.50 to 14.90V	
Maximum charging current	54A	
Terminal material	Copper	
Maximum discharge current	1400A(5 sec.)	

Charging Characteristics(25°C)



Floating Life Characteristics (25°C)



Note: Floating life at 20°C designed for more than 12 years.

- ◆ Absorbent glass mat technology;
- ◆ Recognized by UL & CE;
- ◆ ABS container.

Constant Current Discharge Characteristics (A, 25°C)

F.V/TIME	5min	10min	15min	30min	60min	3h	5h	10h	20h
9.60V	567	378	297	187	113	45.7	33.0	18.3	9.64
10.2V	538	359	285	179	108	45.0	32.5	18.1	9.56
10.8V	505	336	270	170	103	44.1	31.9	18.0	9.50

Constant Power Discharge Characteristics (Watt, 25°C)

F.V/TIME	5min	10min	15min	30min	60min	3h	5h	10h	20h
9.60V	5954	4082	3261	2098	1288	537	390	218	116
10.2V	5649	3877	3129	2008	1231	529	384	216	115
10.8V	5302	3629	2965	1907	1174	519	376	216	115