

FDV

Dimme-Lusa Impuls aktivator

El nr	14 645 00
Article nr	9220016
EAN	7090015373353



Tekniske data

Spenning	230VAC 50Hz
Power (Resistive)	200W
Power (Capacitive)	150W
Effekt factor	≥0,9
Dimming range	5%-100%
Omgivelsestemp	-20°C - 45°C
Levetid	50000 timer

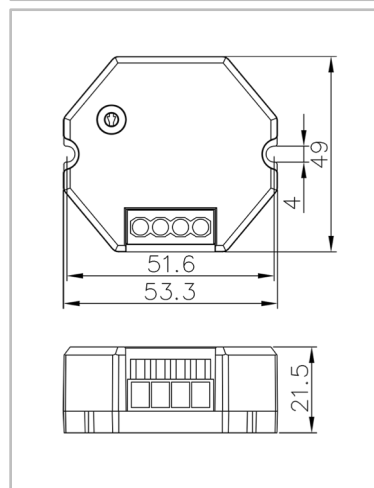


Dimmetype

Type	Dimbar faseavsnitt
------	--------------------

Beskyttelse

Isolasjonsklasse	Klasse II
IP-grad	IP20



Materialer og overflater

Armaturhus	Plastic
Farge	Hvit

Dimensjoner (mm)

Lengde (L)	53,3 mm
Bredde (W)	49 mm
Høyde (H)	21,5 mm
Vekt	0,064 kgs

Energi og godkjenning

Godkjenning	CE, Semko, CB, RCM, EMC
Safety standard	EN 60669-1, EN 60669-2-1

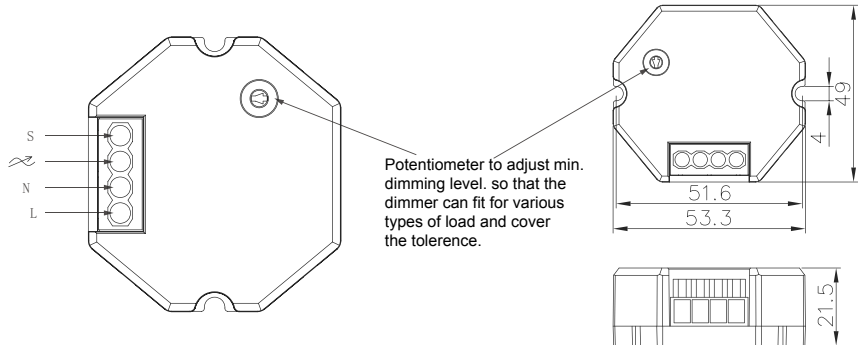
Forpakning

Eske dimensjon	53,5x49,2x21,7 mm
Eske Vekt	0,071 kgs
Kartong Dimensjon	330x250x260 mm
Antall/Kartong	120 stk
Kartong Vekt	8,5 kgs

Montering/Tilkobling

Montering	Innfelling
Kobling	Skrueklemme

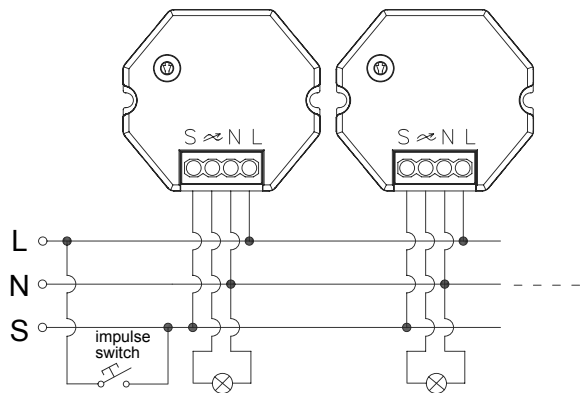
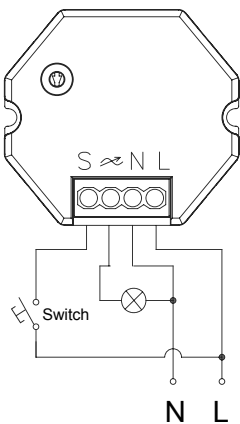
INSTRUCTION MANUAL FOR 200W DIMMER



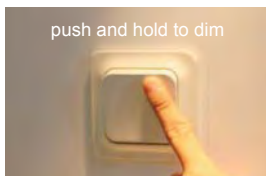
WIRING DIAGRAM

Switch-Dim Wiring Diagram

Multiple Dimmer Wiring Diagram



Switch - Dim



- On/off control: short push (<1s) on the switch.
- Stepless dimming: long push (>1s) on the switch.
- For fine tuning of light level: with every other long push, the light level goes to the opposite direction.
- Built-in with permanent memory: light returns to the previous dimming level when switched off and on again, even at power failure.

Synchronization

Up to 50pcs drivers can be connected to the same switch, thanks to the programme. This means there is no need for any additional synchrony wire in large installation, where many drivers should be controlled by one switch.

Please follow the steps below to achieve synchronization function if more than one driver are connected to the same push botton:

- Press the push button for more than 1s (long push), then a short push (<1s). Now the devices are switched off.
- Long push the button, the system is now synchronized.

SPECIFICATION:

Mains Voltage	230VAC 50Hz
Mains power	200W
Power factor	≥0.9
Operation temperature	Ta: -20~+45°C Tc: 75°C
Dimming range	5%-100%
Over-heat protection	Over-heat protection with auto-reset.
EMC standard	EN55015
Safety standard	EN60669
Certification	Semko, CE , EMC
IP grade	IP20