

# FDV

## RGB Controller 12/24V DC

El nr	14 651 01
Article nr	391300
EAN	7090015376576



### Tekniske data

Input voltage	12-36VDC
Output current	4CH, 8A/CH
Output power	4x(96-288W) (384-1152W)
Output type	Constant voltage
Levetid	30 000 timer

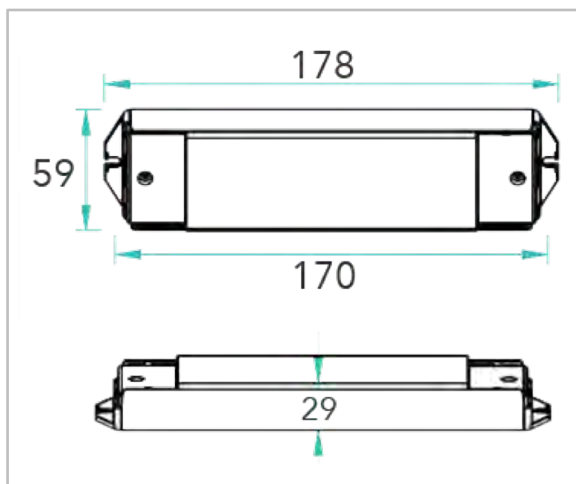


### Dimmetype

Type	
------	--

### Beskyttelse

Isolasjonsklasse	
IP-grad	IP20



### Materialer og overflater

Armaturhus	Plastic
Farge	Hvit

### Dimensjoner (mm)

Lengde (L)	170 mm
Bredde (W)	59 mm
Høyde (H)	29 mm
Vekt	0,18 kgs

### Energi og godkjenning

Godkjenning	CE, RoHS
-------------	----------

### Montering/Tilkobling

Montering	Innfelling
Kobling	Skrueklemme

### Forpakning

Eske dimensjon	172x60x32 mm
Eske Vekt	0,19 kgs
Kartong Dimensjon	380x280x270 mm
Antall/Kartong	40 stk
Kartong Vekt	8,46 kgs

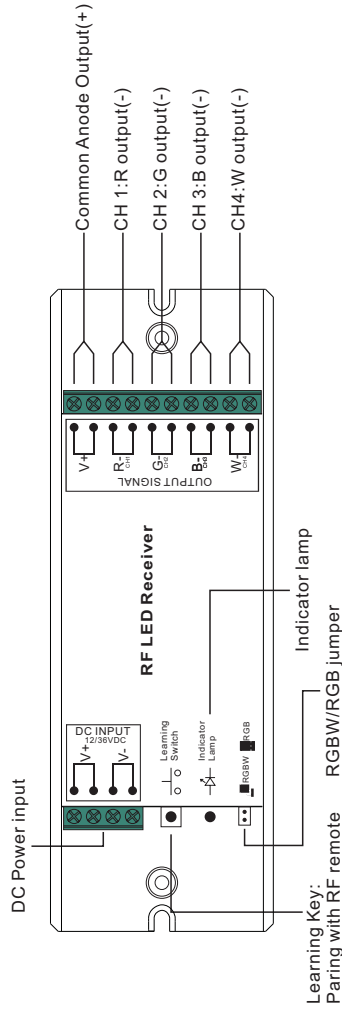
# Universal series RF Receiver



09.003EA.04468

**Important: Read All Instructions Prior to Installation**

## Function introduction



## Product Data

Input Voltage	Output Current	Output Power	Remarks	Size(LxWxH)
12-36VDC	4x8A	4x(96-288)W	Constant voltage	170x59x29mm

- Radio Frequency : 868/915/434mhz
- Waterproof grade: IP20

## Safety & Warnings

- DO NOT install with power applied to device.
- DO NOT expose the device to moisture.

## Operation

Do wiring according to connection diagram.

Pair RF Receiver with RF remote:

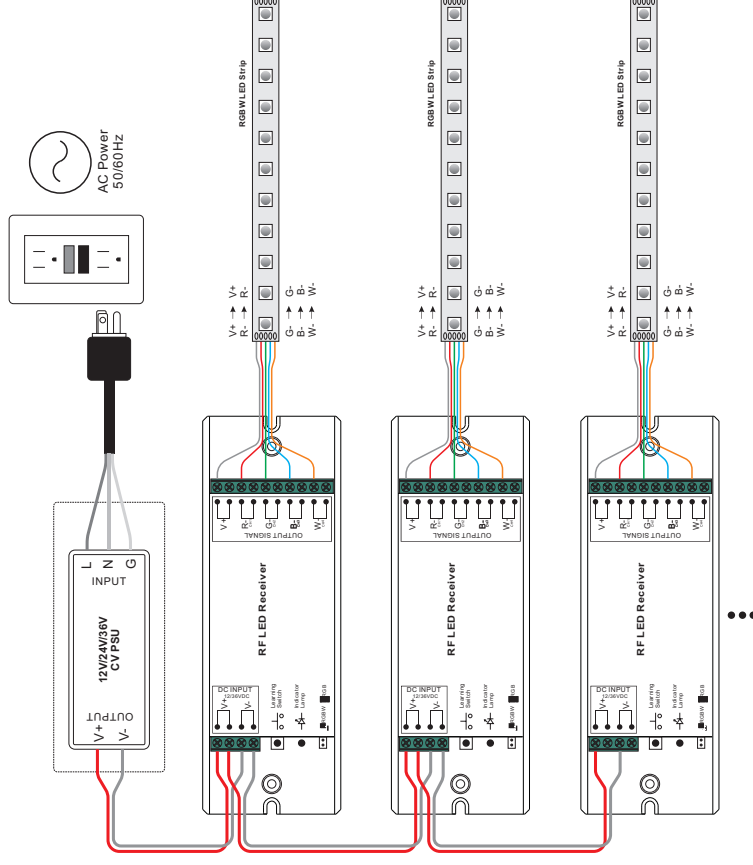
1. Connect and wire up the RF receiver correctly, power on.
2. Turn on the remote, click the "Learning Key" button on receiver, immediately click a zone number to pair the receiver to the specified zone if the remote is a multi-zone controller (if it is a single zone remote, this step is unnecessary), then touch the color wheel or slider bar on the remote (if the remote does not have color wheel or slider bar, click or touch any keys), the connected led light on receiver flickers twice, which means well paired.

**Note:** one receiver can be paired with max 8 remote controls.

Delete the pairing:

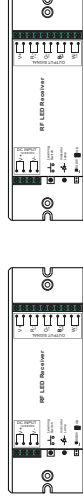
1. Wire up the RF receiver correctly, power on
2. Hold down the "Learning Key" button on receiver for over 3 seconds until the connected led light on receiver flickers twice, which means well deleted.

## Wiring Diagram



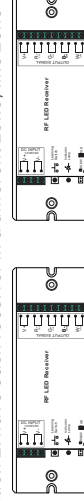
**If you use multiple receivers, you have two choices:**

Option 1: have all the receivers in the same zone, like zone 1



Zone 1

Option 2: have each receiver in a different zone, like zone 1, 2, 3 or 4



Zone 1

Zone 2

Zone 3

RF remote

RF remote