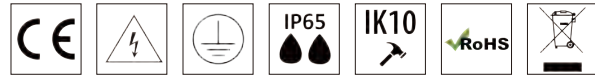


El nr	32 104 03
Article nr	503006
EAN	7090015374886



LUMILEDS

AkzoNobel

Lysteknikk

Type lyskilde	LED (Lumileds SMD LED)
Spenning	100-277VAC 50/60Hz
Watt	27W
Systemeffekt (W)	30W
Effektiv lysstrøm (lm)	3900 lm
Effekt	130 lm/W
Fargetemperatur	4000K
Fargegjengivelse (CRI)	Ra>80
MacAdams faktor	SDCM<3
Levetid (IEC 62717 Ta25)	100 000h L80B50
Lysspredning	90x120°

Dimmetype

Type	Ikke Dimbar
------	-------------

Beskyttelse

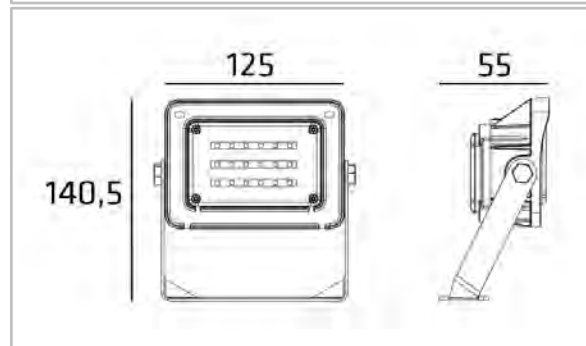
Isolasjonsklasse	Klasse I
IP-grad (armaturhus)	IP65
IP-grad (driver)	IP65
IK-grad	IK10

Materialer og overflater

Armaturhus	Aluminium Die-cast
Farge	Mørk grå (RAL7024)
Optikk	PC

Energi og godkjenning

Energiklasse	A+-A++
Godkjenning	CE, RoHS
Safety standard	EN 60598-1:2015, AMD1:2018, EN 60598-2-3:2003, AMD1:2011, EN 62031:2008+A1:2013
EMC standard	EN 61547:2009, EN55015:2013+A1:2015, EN 61000-3-2:2014, EN 61000-3-3:2013



Montering/Tilkobling

Montering	Utenpåliggende
Kabling	1,5m ledning AC

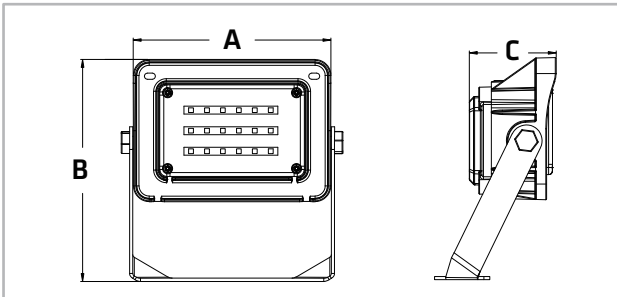
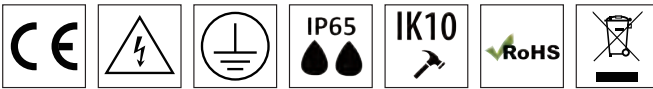
Dimensjoner (mm)

Lengde (L)	125 mm
Høyde (H)	140,5 mm
Bredde (W)	55 mm
Vekt	0,50 kgs

Forpakning

Eske dimensjon	220x75x215mm
Eske Vekt	0,56 kgs
Kartong Dimensjon	410x235x455 mm
Antall/Kartong	20 stk
Kartong Vekt	12,00 kgs

Sola SMD 30W/50W



	A	B	C
503006	125mm	140,5mm	55mm
505006	185mm	175mm	60mm

IMPORTANT INFORMATION:

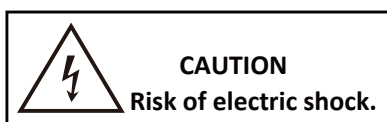
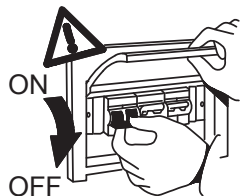
1. Please read this instruction carefully before installation and keep it for future reference.
2. Please conform to the instruction of equipment and installed by professional.
3. Make sure correct voltage applied before use and keep away from heat and vibration source.
4. The light source of this luminaire is not replaceable. When the light source reaches its end of life the whole luminaire shall be replaced.
5. The product is not suitable for any oil pollution ambient or related applications.
6. For indoor and outdoor use.

MAIN PARAMETER:

Product	503006	505006
Rated Voltage	AC 100-277V 50/60Hz	AC 100-277V 50/60Hz
LED watt	27W	45W
System eff	30W	50W
LED	Lumileds SMD 3030 LED	Lumileds SMD 3030 LED
LED Driver	Constant Current 450mA	Constant Current 790mA
Color Temperature	4000K	4000K
Protection	Class I	Class I
Beam Angle	90x120°	90x120°
IP Rated	IP65	IP65
Operation Temperature	-30°C <ta<45°C	-30°C <ta<45°C
Product Size	125mmx140,5mmx55mm	185mmx175mmx60mm

INSTALLATION INSTRUCTIONS:

1. Always switch off the power supply before installation.
2. Make sure all parts are ready when open the box and prepare the installation tools the lighting needs.
3. Should be installed by qualified electricians.
4. If there is any damage on the housing or glass cover, should view it as disqualified product that cannot be used.
5. If the external flexible cable or cord of this luminaire is damaged, it shall be exclusively replaced by the manufacturer or his service agent or a similar qualified person in order to avoid a hazard.

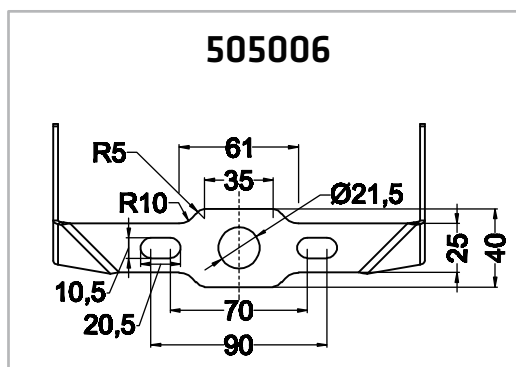
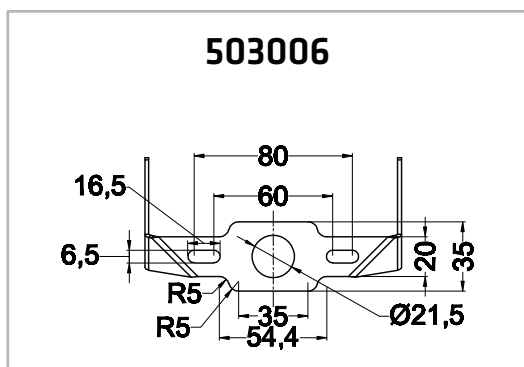


Art nr. 503006/505006

INSTALLATION STEPS:

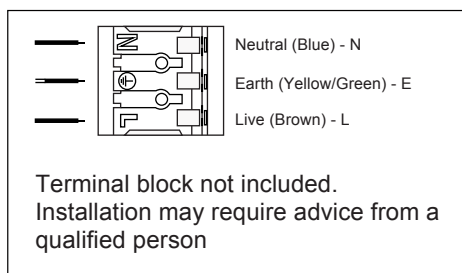
1. Select the required position for the luminaire. Ensure the fixings are suitable to withstand the weight of this product.
2. Install luminaire bracket to the required position using screws.

Note: Bracket is pre-installed in the luminaire.



3. Provide a power supply to the luminaire using a suitable cable. Connect the mains supply to the luminaire.
 - Mains supply LIVE (Brown) - L
 - Mains supply NEUTRAL (Blue) - N
 - Mains supply EARTH (Yellow/Green) - E

IMPORTANT: These luminaires are Class I and must be earthed.



4. Adjust angle to required position. Switch on the power supply.

