

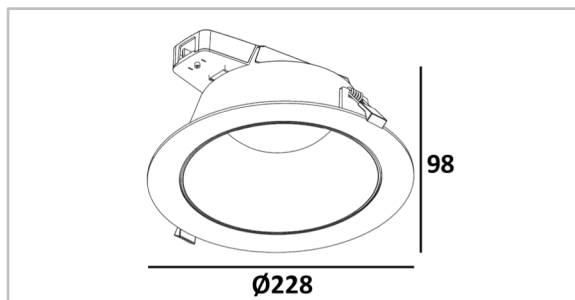
El nr	32 364 18
Article nr	221804
EAN	7090015377955



EPISTAR

Lysteknikk

Type lyskilde	SMD LED (Epistar)
Spenning	230VAC 50/60Hz
Watt	15,5W
Systemeffekt (W)	18W
Effektiv lysstrøm (lm)	1440-1690 lm
Effekt	80-94 lm/W
Fargetemperatur	3000K-4000K-5700K
Fargegjengivelse (CRI)	Ra>80
MacAdams faktor	SDCM<3
Levetid	50 000 L80
Lysspredning	60°



Dimmetype

Type	Dimbar faseavsnitt
------	--------------------

Beskyttelse

Isolasjonsklasse	Klasse II
IP-grad	IP54

Materialer og overflater

Armaturhus	Aluminium, PC
Farge	Matt hvit (RAL 9016)

Energi og godkjenning

Energiklasse	A++
Godkjenning	CE, RoHS
Safety standard	EN 60598-1:2015, EN 60598-2-2:2012, EN 62493:2015
EMC standard	EN 55015:2013+A1:2015, EN 61547:2009, EN 61000-3-2:2014, EN 61000-3-3:2013

Montering/Tilkobling

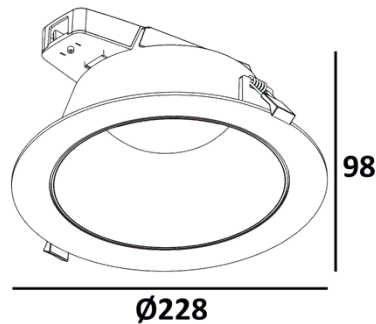
Montering	Innfelling
Kabling	Hurtigklemme

Dimensjoner (mm)

Høyde (H)	98 mm
Diameter (D)	Ø228 mm
Innfellingsdiameter	Ø200-210 mm
Vekt	0,54 kgs

Forpakning

Eske dimensjon	250x250x140 mm
Eske Vekt	0,71 kgs
Kartong Dimensjon	540x540x450 mm
Antall/Kartong	12 stk
Kartong Vekt	10,70 kgs



IMPORTANT INFORMATION:

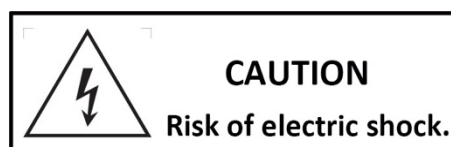
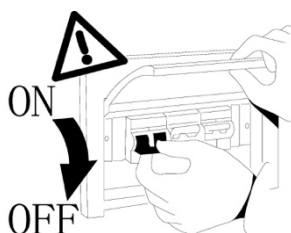
1. Please read this instruction carefully before installation and keep it for future reference.
2. Please conform to the instruction of equipment and installed by professional.
3. Make sure correct voltage applied before use and keep away from heat and vibration source.
4. The light source of this luminaire is not replaceable. When the light source reaches its end of life the whole luminaire shall be replaced.
5. For indoor use only or under shelter for outdoor use.

MAIN PARAMETER:

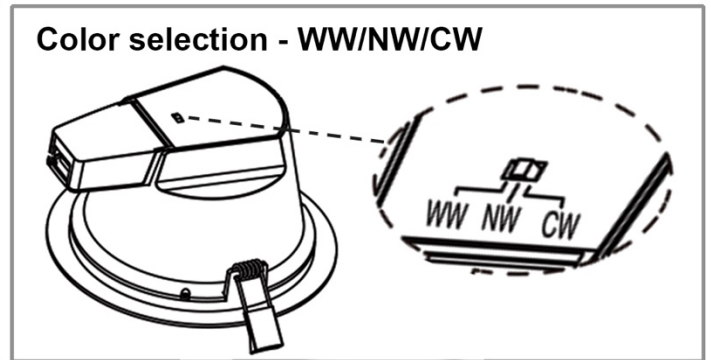
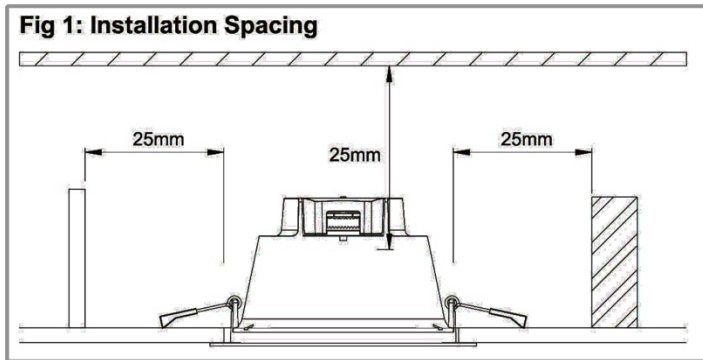
Product	221804
Rated voltage	220-240VAC 50/60Hz
LED Rated Power	15.5W
System Power	18W
LED	SMD LED 2835
LED Driver	700mA
Color Temperature	3000K/4000K/5700K Changeable Color Temperature
Protection	CLASS II
Beam angle	60°
IP Rated	IP54
UGR	<19
Operation Temperature	-25°C~40°C
Cut-out size	Ø200-210mm
Product size	Ø228mmxH98mm

INSTALLATION INSTRUCTIONS:

1. Always switch off the power supply before installation.
2. Make sure all parts are ready when open the box and prepare the installation tools the lighting needs.
3. Should be installed by qualified electricians.
4. If there is any damage on the housing or glass cover, should view it as disqualified product that cannot be used.

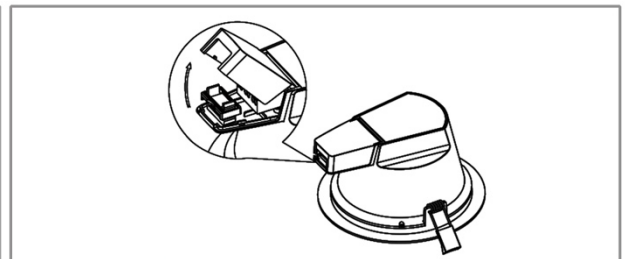
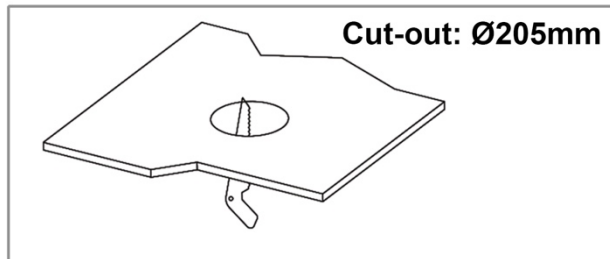


INSTALLATION STEPS:

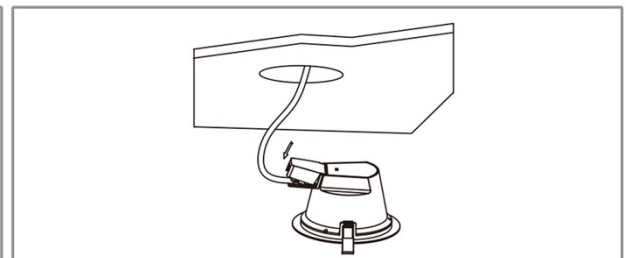
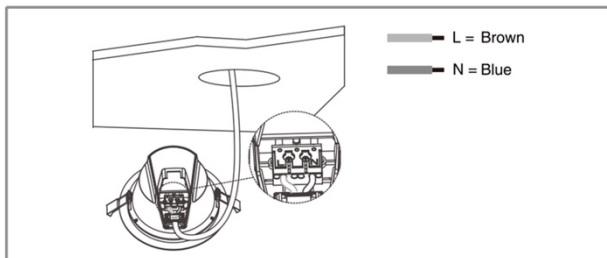


Note: select required luminaire color temperature (WW/NW/CW) before install the luminaire into ceiling.

1. Cut-out for the downlight. Open the lid of gear box.



2. Connect Mains supply to the terminal block. Push lid back to position and make sure it is securely locked.



3. Slide the mounting spring clips into the ceiling cut-out and push the luminaire up into cutting hole. Ensure that it is securely located. Switch on the power supply.

