

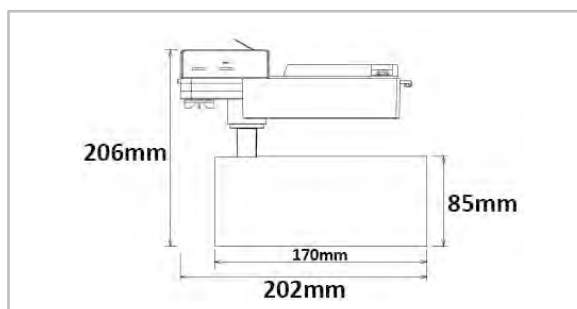
El nr	32 364 25
Article nr	462504
EAN	7090015378020



CITIZEN
CITIZEN ELECTRONICS

Lysteknikk

Type lyskilde	COB LED (Citizen)
Spenning	230VAC 50/60Hz
Watt	21W
Systemeffekt (W)	25W
Effektiv lysstrøm (lm)	2560lm
Effekt	102,4lm/W
Fargetemperatur	3000K
Fargegjengivelse (CRI)	Ra>80
MacAdams faktor	SDCM<3
Levetid	60 000 L80 (IEC62717 Ta25)
Lysspredning	36°



Dimmetype

Type	Ikke Dimbar
------	-------------

Beskyttelse

Isolasjonsklasse	Klasse I
IP-grad (armaturhus)	IP20

Materialer og overflater

Armaturhus	Aluminium die-casting
Farge	Matt hvit (RAL9016)

Energi og godkjenning

Energi klasse	A-A+
Godkjenning	CE
Safety standard	EN 60598-2-1:1989, EN 60598-1:2015

Montering/Tilkobling

Montering	Utenpåliggende
Kobling	3 tenning

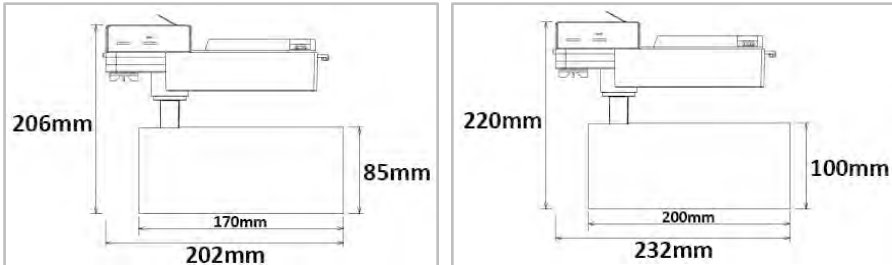
Dimensjoner (mm)

Lengde (L)	170 mm
Diameter (D)	Ø85 mm
Høyde (H)	206 mm
Vekt	0,75 kgs

Forpakning

Eske dimensjon	265x135x255 mm
Eske Vekt	0,86 kgs
Kartong Dimensjon	550x430x490 mm
Antall/Kartong	12 stk
Kartong Vekt	11,20 kgs

Optima Cylinder



IMPORTANT INFORMATION:

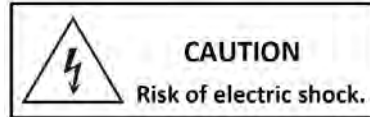
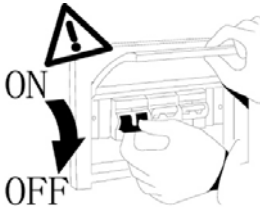
1. Please read this instruction carefully before installation and keep it for future reference.
2. Please conform to the instruction of equipment and installed by professional.
3. Make sure correct voltage applied before use and keep away from heat and vibration source.
4. The light source of this luminaire is not replaceable. When the light source reaches its end of life the whole luminaire shall be replaced.
5. The product is not suitable for any oil pollution ambient or related applications.
6. For indoor use only.

MAIN PARAMETER:

Product	462504/462504	464204/464205
Rated Voltage	AC 220-240V 50/60Hz	AC 220-240V 50/60Hz
LED watt	21W	37W
System eff	25W	42W
LED	Citizen COB LED	Citizen COB LED
LED Driver	Constant Current 580mA	Constant Current 1050mA
Color Temperature	3000K	3000K
Protection	Class I	Class I
Beam Angle	36°	36°
IP Rated	IP20	IP20
Operation Temperature	-20°C <ta<45°C	-20°C <ta<45°C
Product Size	Ø85mmx170mmx206mm	Ø100mmx200mmx220mm

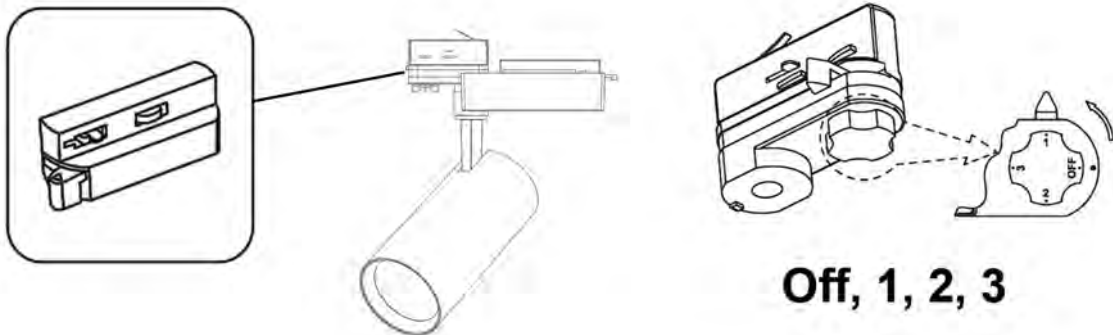
INSTALLATION INSTRUCTIONS:

1. Always switch off the power supply before installation.
2. Make sure all parts are ready when open the box and prepare the installation tools the lighting needs.
3. Should be installed by qualified electricians.
4. If there is any damage on the housing or glass cover, should view it as disqualified product that cannot be used.
5. If the external flexible cable or cord of this luminaire is damaged, it shall be exclusively replaced by the manufacturer or his service agent or a similar qualified person in order to avoid a hazard.

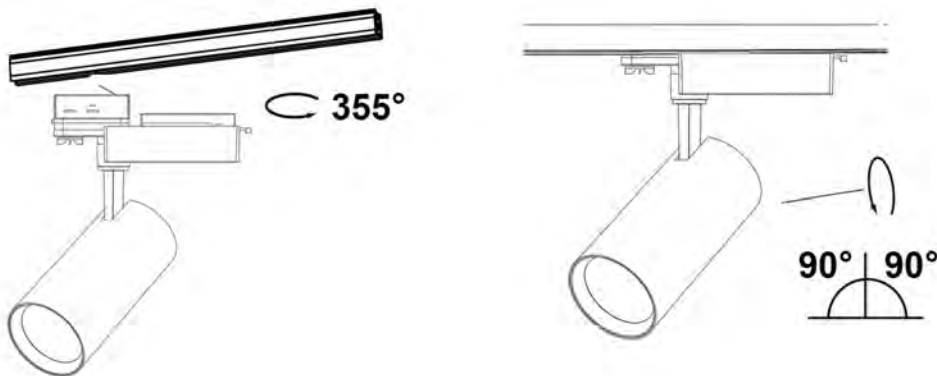


INSTALLATION STEPS:

1. When installing the spotlight into track, ensure that the Polarity indicator is on the same side as the Polarity line on the track. These track spotlights will only fit into the track one way. When the spotlight is in position on the track, turn the locking lever to point along the length of the track to lock the spotlight in position.



2. Ensure that when installed, the spotlights are not in an obtrusive position or in a position where they may be knocked or damaged.



3. Once the spotlight has been positioned switch on the mains power supply.

