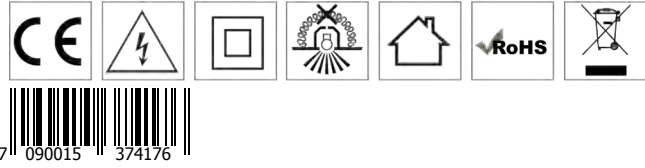


FDV

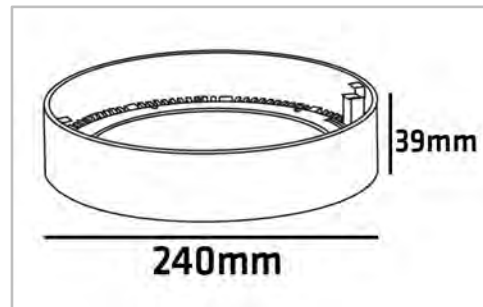
Frisbee Surface Midi 14W

El nr	32 766 51
Article nr	241804
EAN	7090015374176



Lysteknikk

Type lyskilde	LED (San'An SMD LED)
Spenning	230VAC 50/60Hz
Watt	12W
Systemeffekt (W)	14W
Effektiv lysstrøm (lm)	1420lm
Effekt	101lm/W
Fargetemperatur	3000K
Fargegjengivelse (CRI)	Ra>80
MacAdams faktor	SDCM<5
Levetid	60000 L80
Lysspredning	110°



Dimmetype

Type	Dimbar faseavsnitt
------	--------------------

Beskyttelse

Isolasjonsklasse	Klasse II
IP-grad	IP20

Materialer og overflater

Armaturhus	Aluminium die-cast
Farge	Matt hvit (RAL 9003)
Optikk	PC
LGP	3mm

Energi og godkjenning

Energiklasse	A-AA+
Godkjenning	CE
Safety standard	EN 60598-1:2015, EN 60598-2-2:2012, EN 62471:2008, EN 62493:2015

Montering/Tilkobling

Montering	Utenpåliggende
Kabling	Hurtigklemme

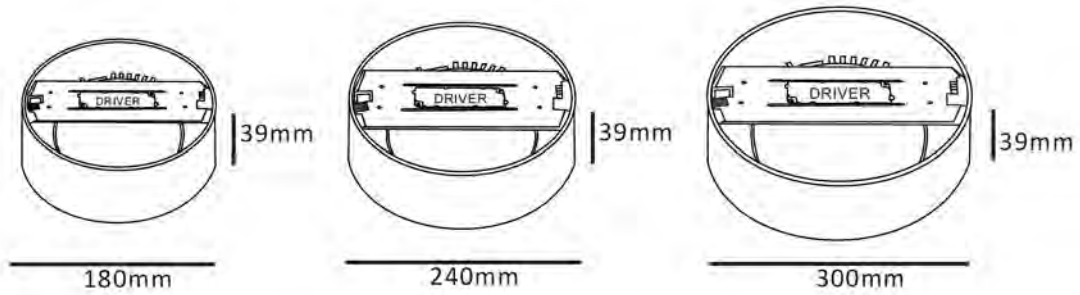
Dimensjoner (mm)

Høyde (H)	39 mm
Diameter (D)	Ø240 mm
Vekt	0,90 kgs

Forpakning

Eske dimensjon	254x242x45 mm
Eske Vekt	0,95 kgs
Kartong Dimensjon	490x300x265 mm
Antall/Kartong	10 stk
Kartong Vekt	11,30 kgs

Frisbee Surface



IMPORTANT INFORMATION:

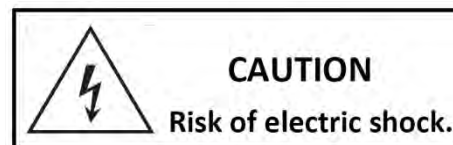
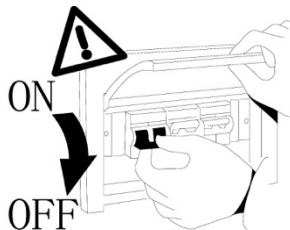
1. Please read this instruction carefully before installation and keep it for future reference.
2. Please conform to the instruction of equipment and installed by professional.
3. Make sure correct voltage applied before use and keep away from heat and vibration source.
4. The light source of this luminaire is not replaceable. When the light source reaches its end of life the whole luminaire shall be replaced.
5. For indoor use only.

MAIN PARAMETER:

Product:	241004 Frisbee Mini 11W	241804 Frisbee Midi 15W	253004 Frisbee Maxi 30W	253104 Frisbee Maxi 30W DALI
Rated voltage:	220-240V AC 50/60Hz	220-240V AC 50/60Hz	220-240V AC 50/60Hz	220-240V AC 50/60Hz
LED Rated power:	9W	12W	24W	24W
System power:	11W	14W	26W	26W
LED:	SMD LED 2016	SMD LED 2016	SMD LED 2016	SMD LED 2016
LED driver	Constant Current 500mA	Constant Current 500mA	Constant Current 1000mA	Constant Current 1000mA
Color temperature:	3000K	3000K	3000K	3000K
Protection:	Class II	Class II	Class II	Class II
Beam Angle:	110°	110°	110°	110°
IP Rated	IP20	IP20	IP20	IP20
Operation Temperature	-20°C ~ 50°C	-20°C ~ 50°C	-20°C ~ 50°C	-20°C ~ 50°C
Product size:	Ø180mmxH39mm	Ø240mmxH39mm	Ø300mmxH39mm	Ø300mmxH39mm

INSTALLATION INSTRUCTIONS:

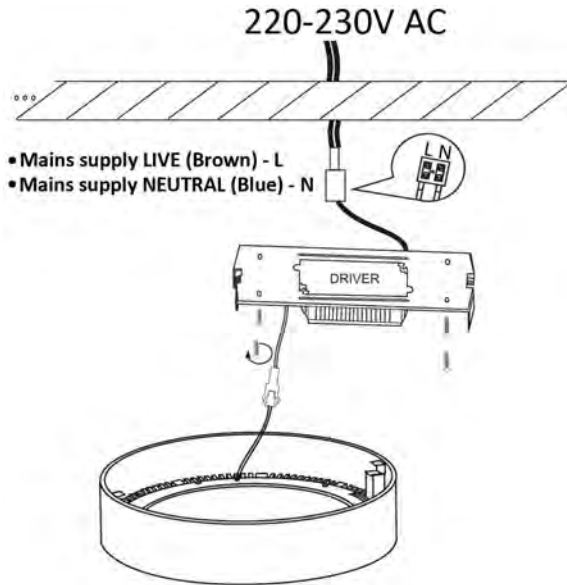
1. Always switch off the power supply before installation.
2. Make sure all parts are ready when open the box and prepare the installation tools the lighting needs.
3. Should be installed by qualified electricians.
4. If there is any damage on the housing or glass cover, should view it as disqualified product that cannot be used.
5. If the external flexible cable or cord of this luminaire is damaged, it shall be exclusively replaced by the manufacturer or his service agent or a similar qualified person in order to avoid a hazard.



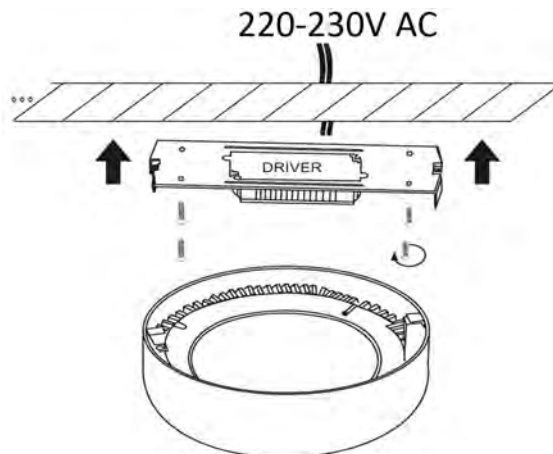
INSTALLATION STEPS:

1. Select the required position for the luminaire. Connect the Mains supply to the quick release terminal block.

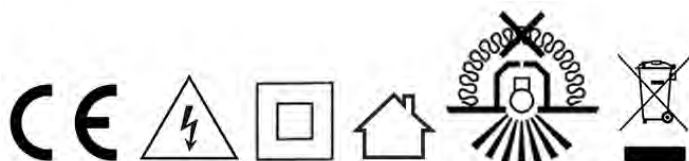
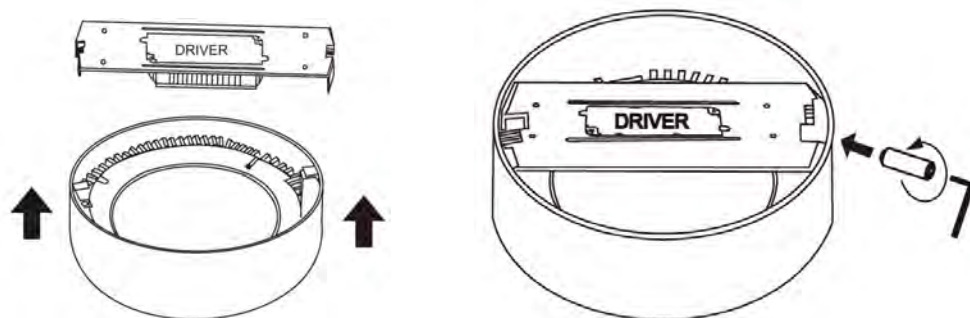
IMPORTANT:
Please refer to next page
if single lead wire is used.



2. Fix the base bracket to the ceiling with screws.


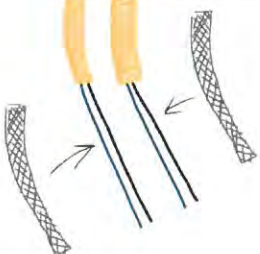




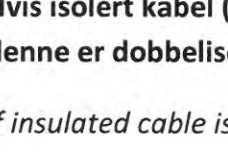

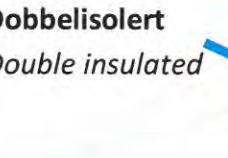

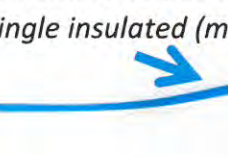



3. Replace main body of luminaire ensuring that it is securely located. Switch on the power supply.



Hvis enkeltisolert ledning benyttes, bruk strømpe for å dobbelisolere

If single lead wire is used, use stocking for double insulation

Kun tilkobling <i>Loop in</i>	Gjennomkobling <i>Loop in/loop out</i>	Instruksjon <i>Instruction</i>
		1. Før ledning kobles må strømpe settes på for å gjøre ledning dobbelisolert
		<i>Before connecting wires, you need to apply the stocking(s) to make the wire doubleinsulated</i>
		2. Bruk en strømpe for hvert ledningspar, som føres inn i strekkavlaster ved tilkobling
		<i>Use a stocking for each pair of wires, and make this fixed in the cable strain release</i>
		3. Begge strømpene låses fast i klemmen
		<i>Both stockings should be fixed in the cable strain release</i>

Hvis isolert kabel (med ytterkappe) er benyttet skal ikke strømpe benyttes, ettersom denne er dobbelisolert.

If insulated cable is used, shall not the stocking be applied.

Dobbelisolert
Double insulated

Enkeltisolert (må ha strømpe)
Single insulated (must have stocking)



Enkelt isolert må ha strømpe inn i strekkavlaster som illustrasjon viser til høyre

Single insulated must have stocking (like image on the right)