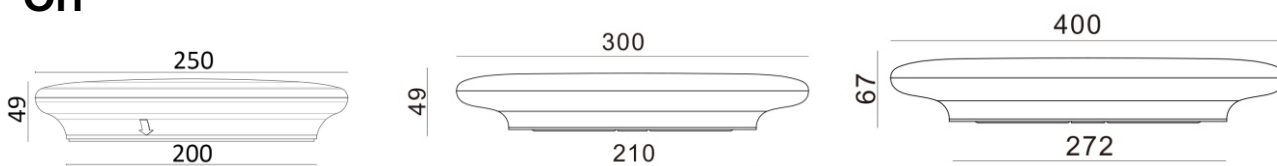


Ori



IMPORTANT INFORMATION:

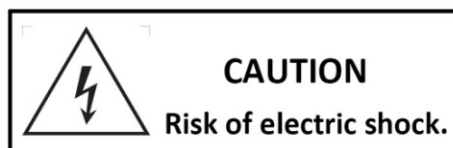
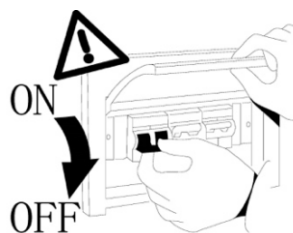
1. Please read this instruction carefully before installation and keep it for future reference.
2. Please conform to the instruction of equipment and installed by professional.
3. Make sure correct voltage applied before use and keep away from heat and vibration source.
4. The light source of this luminaire is not replaceable. When the light source reaches its end of life the whole luminaire shall be replaced.
5. For indoor use only.

MAIN PARAMETER:

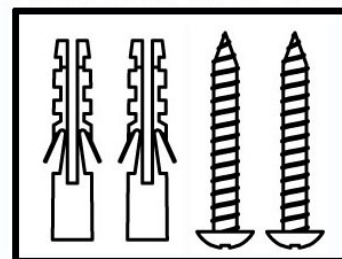
Product:	251204	261804	262604
Rated Voltage	AC 180-240V 50/60Hz	AC 180-240V 50/60Hz	AC 180-240V 50/60Hz
LED Rated Power	12W	16W	25W
System Power	12,5W	18W	26W
LED	Umopto LED SMD 2835	Umopto LED SMD 2835	Umopto LED SMD 2835
LED Driver	Constant Current 165mA	Constant Current 190mA	Constant Current 250mA
Color Temperature	3000K	3000K	3000K
Protection	Class II	Class II	Class II
Beam Angle	110°	110°	110°
IP Rated	IP44	IP44	IP44
Operation Temperature	-40°C~50°C	-40°C~50°C	-40°C~50°C
Weight:	0.97 kgs	1.25 kgs	1.45 kgs
Product Size:	Ø250mmxH49mm	Ø300mmxH49mm	Ø400mmxH67mm

INSTALLATION INSTRUCTIONS:

1. Always switch off the power supply before installation.
2. Make sure all parts are ready when open the box and prepare the installation tools the lighting needs.
3. Should be installed by qualified electricians.
4. If there is any damage on the housing or glass cover, should view it as disqualified product that cannot be used.

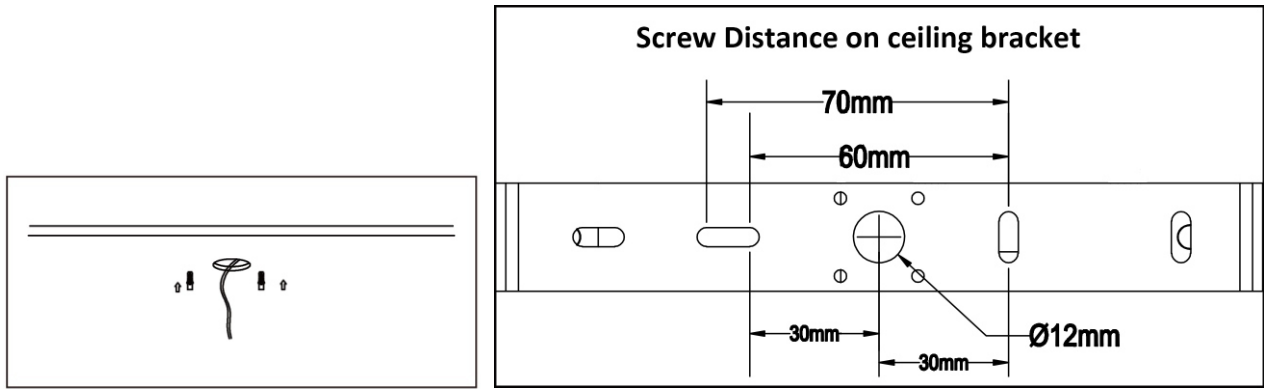


Hardware Kit

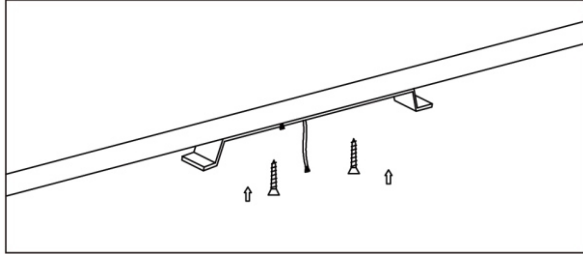


INSTALLATION STEPS:

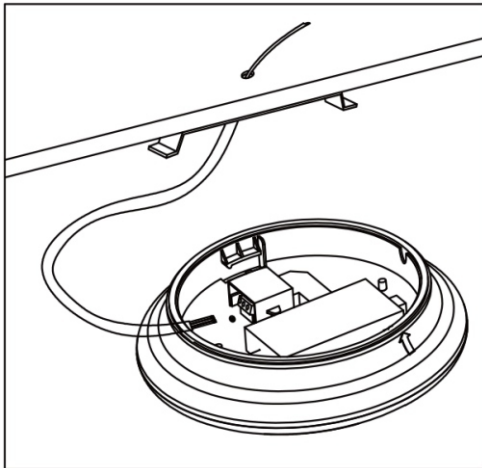
1. Select the required position for the luminaire. Provide a power supplier to the luminaire run through the hole in the ceiling bracket (hidden wiring).



- Fix ceiling bracket to ceiling/wall using hardware kit and make sure it is securely located. Remove the knock-out of fixture when install for surface mounted cable.



- Connect the mains supply to the luminaire –
 - Mains supply LIVE (Brown) – L
 - Mains supply NEUTRAL (Blue) – N



- Secure the main body of luminaire to fix base and make sure it is securely located. Switch on the power supply.

