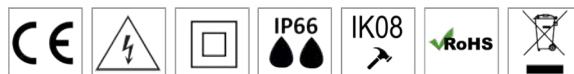


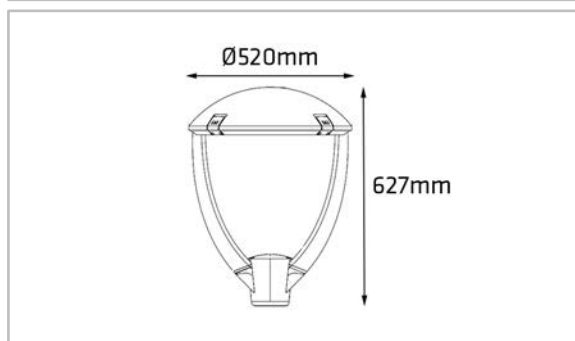
El nr	35 855 60
Article nr	606055
EAN	7090015373377



CREE INVENTRONICS

### Lysteknikk

Type lyskilde	LED (Cree X-TE SMD LED)
Spenning	230VAC 50/60Hz
Watt	60W
Systemeffekt (W)	60W
Effektiv lysstrøm (lm)	6000 lm
Effekt	100 lm/W
Fargetemperatur	4000K
Fargegjengivelse (CRI)	Ra>80
MacAdams faktor	SDCM<5
Levetid (IEC62717 Ta25)	70 000h L80B50
Lysspredning	150x80°



### Dimmetype

Type	Ikke Dimbar
------	-------------

### Beskyttelse

Isolasjonsklasse	Klasse II
IP-grad (armaturhus)	IP66
IP-grad (driver)	IP20
IK-grad	IK08

### Montering/Tilkobling

Montering	Utendørs
Kabling	6m ledning AC

### Materialer og overflater

Armaturhus	Aluminium Die-cast
Farge	Mørk grå (RAL7024)
Optikk	Glass

### Dimensjoner (mm)

Høyde (H)	627 mm
Diameter (D)	Ø520 mm
Vekt	11,80 kgs

### Energi og godkjenning

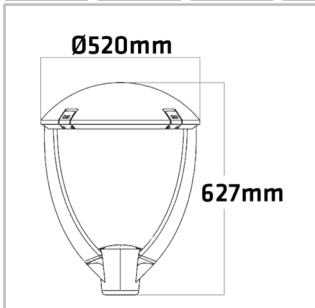
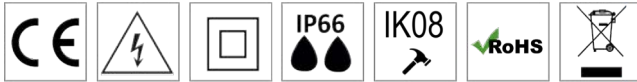
Energiklasse	A+-A++ (F)
Godkjenning	CE, RoHS
Safety standard	EN 55015:2013/A1:2015, EN 61547:2009, EN 61000-3-2:2014, EN 61000-3-3:2013

### Forpakning

Kartong Dimensjon	580x580x290 mm
Antall/Kartong	1 stk
Kartong Vekt	13,50 kgs

BEYOND LIGHTING

## Galaxy Park



### IMPORTANT INFORMATION:

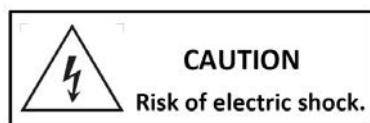
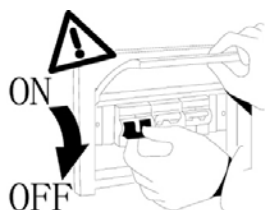
1. Please read this instruction carefully before installation and keep it for future reference.
2. Please conform to the instruction of equipment and installed by professional.
3. Make sure correct voltage applied before use and keep away from heat and vibration source.
4. The light source of this luminaire is not replaceable. When the light source reaches its end of life the whole luminaire shall be replaced.
5. The product is not suitable for any oil pollution ambient or related applications.
6. For outdoor use.

### MAIN PARAMETER:

Product	606155	606055
Rated Voltage	AC 90-305V 50/60Hz	AC 90-305V 50/60Hz
LED watt	60W	60W
System eff	60W	60W
LED	CREE SMD LED	CREE SMD LED
LED Driver	Constant Current 0,68A	Constant Current 0,68A
Color Temperature	3000K	4000K
Protection	Class II	Class II
Beam Angle	150x80°	150x80°
IP Rated	IP66	IP66
Operation Temperature	-30°C <ta<45°C	-30°C <ta<45°C
Product Size	Ø520mmx627mm	Ø520x627mm

### INSTALLATION INSTRUCTIONS:

1. Always switch off the power supply before installation.
2. Make sure all parts are ready when open the box and prepare the installation tools the lighting needs.
3. Should be installed by qualified electricians.
4. If there is any damage on the housing or glass cover, should view it as disqualified product that cannot be used.
5. If the external flexible cable or cord of this luminaire is damaged, it shall be exclusively replaced by the manufacturer or his service agent or a similar qualified person in order to avoid a hazard.



## INSTALLATION STEPS:

1. Select the required position for the luminaire. Ensure the fixings are suitable to withstand the weight of this product.

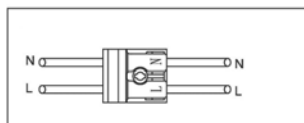
**WARNING: The luminaire is heavy and must have suitable fixings.**

**Note: use inner sleeve attached for diameter Ø60mm.**



2. Provide a power supply to the luminaire using a suitable cable. Connect the mains supply to the luminaire.

- Mains supply LIVE (Brown) - L
- Mains supply NEUTRAL (Blue) - N



3. Switch on the power supply.