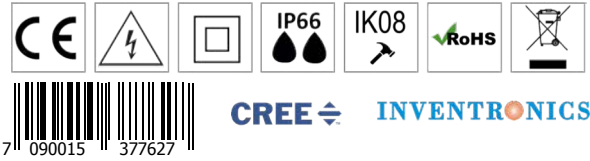
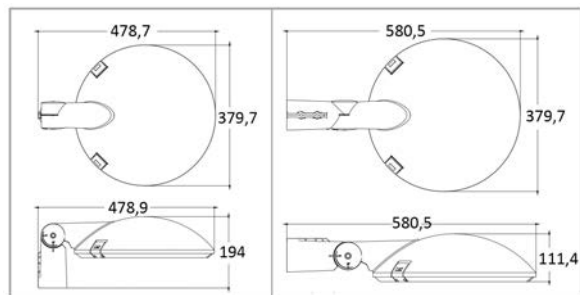


El nr	35 855 90
Article nr	606065
EAN	7090015377627



Lysteknikk

Type lyskilde	LED (Cree X-TE SMD LED)
Spenning	230VAC 50/60Hz
Watt	60W
Systemeffekt (W)	60W
Effektiv lysstrøm (lm)	6000 lm
Effekt	100 lm/W
Fargetemperatur	3000K
Fargegjengivelse (CRI)	Ra>80
MacAdams faktor	SDCM<5
Levetid (IEC62717 Ta25)	70 000 L80B50
Lysspredning	150x80°



Dimmetype

Type	Ikke Dimbar
------	-------------

Beskyttelse

Isolasjonsklasse	Klasse II
IP-grad (armaturhus)	IP66
IP-grad (driver)	IP20
IK-grad	IK08

Montering/Tilkobling

Montering	Utendørs
Kabling	6m ledning AC

Materialer og overflater

Armaturhus	Aluminium Die-cast
Farge	Mørk grå
Optikk	Glass

Dimensjoner (mm)

Lengde (L)	478,7 mm
Høyde (H)	194 mm
Diameter (D)	Ø379,7 mm
Vekt	7,5 kgs

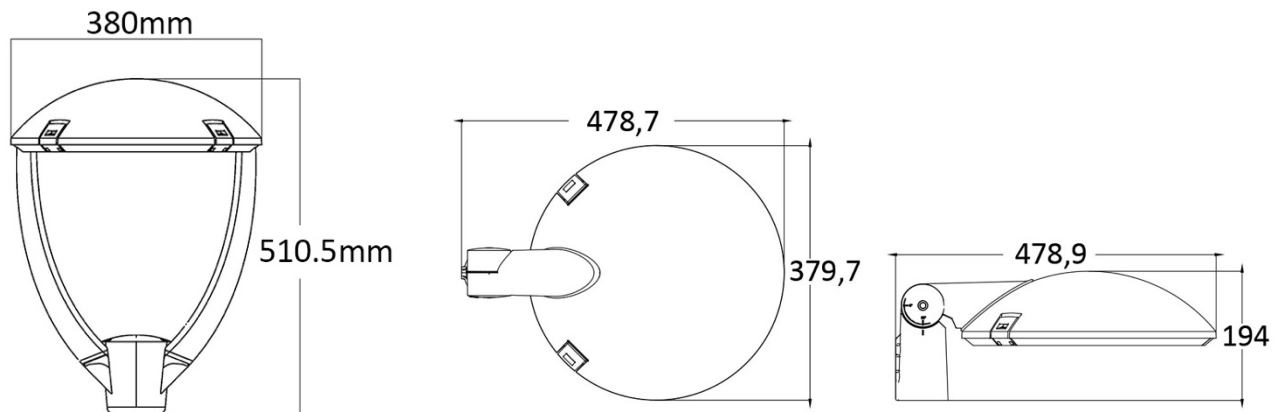
Energi og godkjenning

Energiklasse	A+-A++
Godkjenning	CE, RoHS
Safety standard	EN 55015:2013/A1:2015, EN 61547:2009, EN 61000-3-2:2014, EN 61000-3-3:2013

Forpakning

Kartong Dimensjon	450x450x185 mm
Antall/Kartong	1 stk
Kartong Vekt	8,5 kgs

Galaxy Park/Street SMD JR



IMPORTANT INFORMATION:

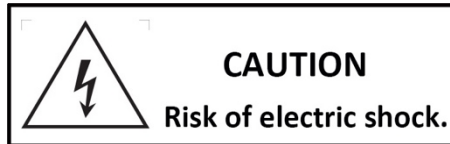
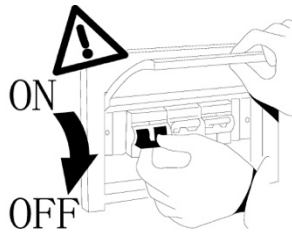
1. Please read this instruction carefully before installation and keep it for future reference.
2. Please conform to the instruction of equipment and installed by professional.
3. Make sure correct voltage applied before use and keep away from heat and vibration source.
4. The light source of this luminaire is not replaceable. When the light source reaches its end of life the whole luminaire shall be replaced.
5. For outdoor use.

MAIN PARAMETER:

Product:	604055 Park	606065 Park/Street
Rated Voltage	AC 90-305V 50/60Hz	AC 90-305V 50/60Hz
LED Rated Power	40W	60W
System Power	40W	60W
LED	CREE X-TE SMD LED	CREE X-TE SMD LED
LED Driver	Constant Current 630mA	Constant Current 680mA
Color Temperature	3000K	3000K
Protection	Class II	Class II
Beam Angle	150x80°	150x80°
IP Rated	IP66	IP66
Operation Temperature:	-30°C~45°C	-30°C~45°C
Weight:	7,5kgs	7,5kgs
Product Size:	Ø380mmxH510mm	Ø487,9mmxH194mm

INSTALLATION INSTRUCTIONS:

1. Always switch off the power supply before installation.
2. Make sure all parts are ready when open the box and prepare the installation tools the lighting needs.
3. Should be installed by qualified electricians.
4. If there is any damage on the housing or glass cover, should view it as disqualified product that cannot be used.



INSTALLATION STEPS:

1. Select the required position for the luminaire. Ensure the fixings are suitable to withstand the weight of this product.

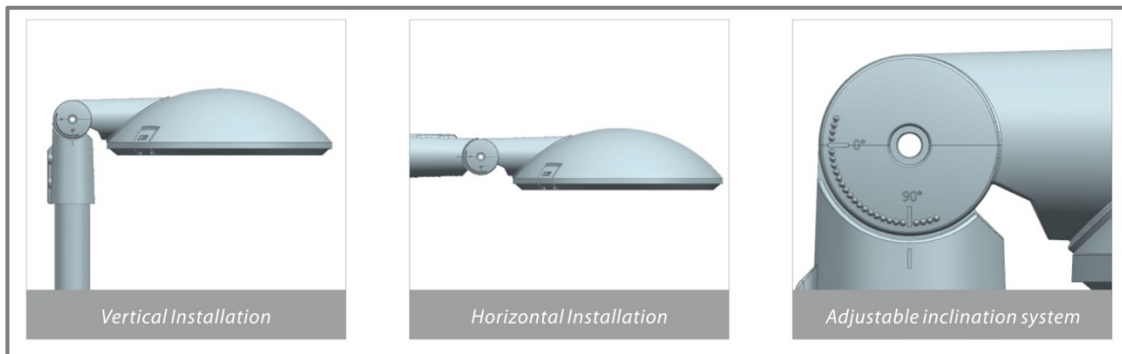
WARNING: The luminaire is heavy and must have suitable fixings.

Note:

Galaxy Park SMD JR (Art. 604055) is with Ø76mm pole. Use inner sleeve attached for diameter Ø60mm.

Galaxy Park/Street SMD JR (Art. 606065) is with Ø60mm pole.

606065 Galaxy Park/Street SMD JR:



2. Provide a power supply to the luminaire using a suitable cable. Connect the mains supply to the luminaire. Note the luminaire is Class II.

- Mains supply LIVE (Brown) – L
- Mains supply NEUTRAL (Blue) – N

3. Switch on the power supply.

