

AquaTight® EX® Compression Connectors Series 7 & 11

PPC's revolutionary AquaTight® integrated port seal technology has now been expanded across the entire EX® Series product line! This design concept combines an EX® compression connector with an integrated port seal and guarantees the use of a port seal every time to eliminate moisture migration problems.

The unique patented design of the EX® body achieves true universality on 60% through Quad Shield, PE, and PVC jacket.

This product is also available with a movable pin if preferred.



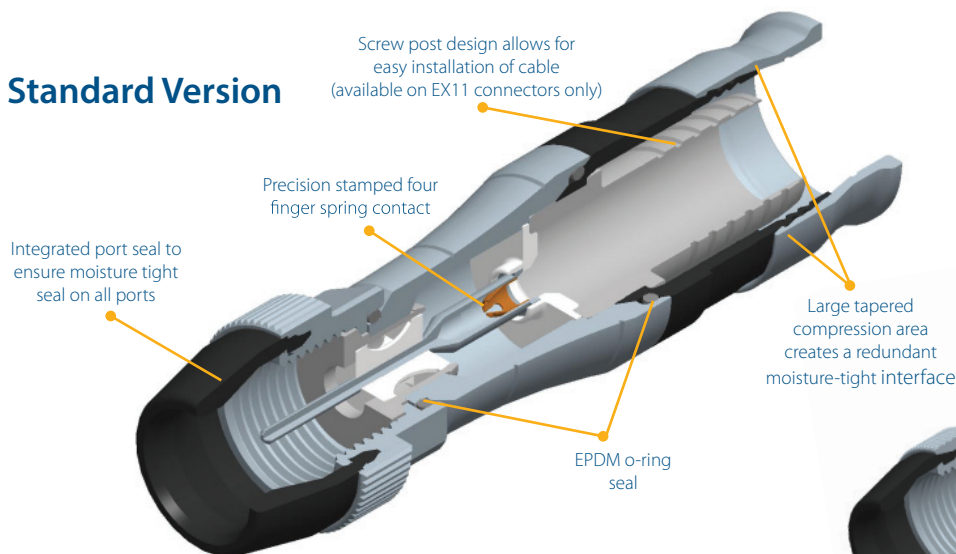
Specifications

Bandwidth	0 MHz to 3 GHz
Impedance	75 Ohms (nominal)
Return Loss	Minimum -30 dB to 3 GHz
Insertion Loss	Less than .10 dB to 3 GHz
Operating Voltage	90 V (at 60 Hz continuous AC)
Operating Temperature	-40° F to + 140° F (-40° C to 60° C)
Cable Retention	45 lbs (20.41 kg) minimum

Meets or Exceeds all SCTE Specifications

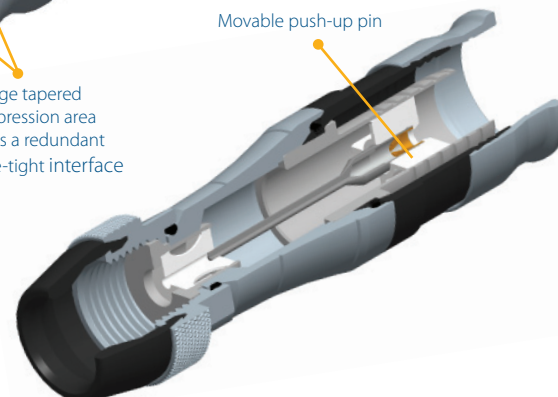
Features & Benefits

Standard Version



Also Available: Movable Push-up Pin

Available Model# EX11N716WSMP



Application



AquaTight® EX® Universal compression connectors ensure proper port sealing every time. Right angle connectors prevent improper cable bending and tap ports from breaking in smaller pedestals.

AquaTight® EX® Compression Connectors: Series 7 & 11



Part Numbers

EX7N716WS	AquaTight® EX® connector, integrated port seal, 7/16" hex nut, series 7 cable
EX11N716WS	AquaTight® EX® connector, integrated port seal, 7/16" hex nut, series 11 cable
EX11N716WSMP	AquaTight® EX® connector, integrated port seal, 7/16" hex nut, movable push-up pin, series 11 cable
EX11RAF716WS	AquaTight® EX® connector, integrated port seal, right angle, 9/16" hex nut, series 11 cable



Preparation & Installation Tools

Compression Tool	VT200	VT300	CATAS	CAT-AS-EX
1/4" – 1/4" universal drop cable preparation tool	UDT596711		DDT59611	
7/16" snap torque wrench	TW207	TW309	TW307 AH	