

Motion detector

# IS 3360

DALI-2 IPD - concealed, rd.  
EAN 4007841 057268

**STEINEL**<sup>®</sup>  
PROFESSIONAL



2 - 1000 lux



IP20



CE



infrared sensor  
360°



ideal 2,5 - 4 m



energy saving



max. 20 m

**5** JAHRE  
HERSTELLER  
GARANTIE

manufacturer's  
warranty  
[steinel-professional.de/garantie](http://steinel-professional.de/garantie)

## Function description

Higher, further, faster. Infrared motion detector IS 3360 for indoors and out, ideal for watching over high spaces and large areas, such as multi-storey and underground car parks, installation height up to 4 m, 360° angle of coverage, reach 20 m max. (tangential). Available either in round or square surface-mounted and concealed version. DALI-2 Input Device enables sensors to communicate collected sensor data to higher-level lighting management systems.

Motion detector

# IS 3360

DALI-2 IPD - concealed, rd.  
EAN 4007841 057268



## Technical specifications

Type	Motion detectors
Dimensions (L x W x H)	65 x 95 x 95 mm
Mains power supply	12 – 22,5 V / 50 – 60 Hz
Sensor Technology	passive infrared
Application, place	Outdoors, Indoors
Application, place, room	production facilities, recreation room, changing room, function room / ancillary room, sports hall, reception / lobby, stairwell, WC / washroom, multi-storey / underground car park, warehouse, indoors
Installation site	ceiling
Type of installation	Concealed wiring
Switching zones	448 switching zones
Electronic scalability	No
Mechanical scalability	No
Mounting height	2,5 – 4,00 m
Optimum mounting height	2,8 m
Detection angle	360 °
Angle of aperture	45 °
Sneak-by guard	Yes
Capability of masking out individual segments	Yes
Reach, radial	Ø 8 m (50 m <sup>2</sup> )

Reach, presence	Ø 3 m (7 m <sup>2</sup> )
Twilight setting TEACH	Yes
Twilight setting	2 – 1000 lx
Switching output 1, floating	No
Control output, Dali	Addressable/slave
Basic light level function	Yes
With bus coupling	Yes
With remote control	No
Interconnection	Yes
IP rating	IP20
Material	Plastic
Ambient temperature	-20 – 50 °C
Colour	white
Colour, RAL	9003
Manufacturer's Warranty	5 years
Version	DALI-2 IPD - concealed, rd.
PU1, EAN	4007841057268

## Accessories

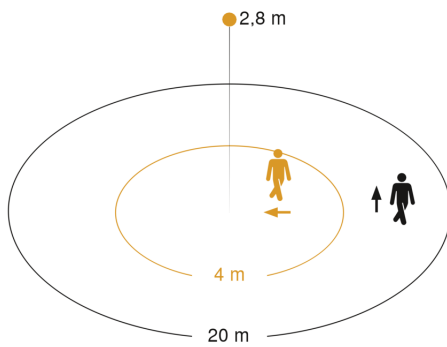
EAN 4007841 009151    Remote control Smart Remote

Motion detector

# IS 3360

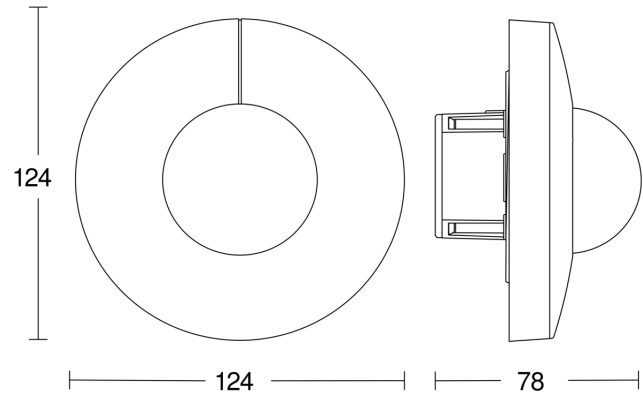
DALI-2 IPD - concealed, rd.  
EAN 4007841 057268

## Detection Zone



Mögliche Montagehöhe: 2,50 m – 4,00 m  
Orange: radial  
Schwarz: tangential

## Dimension Drawing



## Circuit diagram

