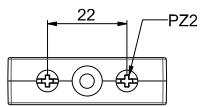
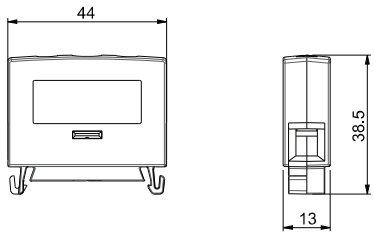


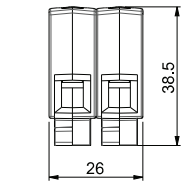
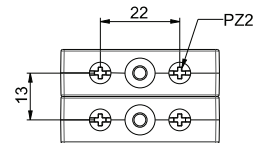
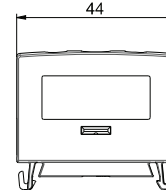


- Suitable for Al/Cu cables: 1.5 - 240 mm²
- Available in grey, blue (N) and yellow/green (PE)
- Touchproof, IP20
- Certified according to IEC 61238-1 Class A
- Housing and cover in polyamide
- Terminal material tin-coated, greased aluminium
- KC-terminals 16 - 35 mm² for DIN-rail mounting
- KL-terminals 50 - 240 mm² for DIN-rail or base mounting
- Environmentally friendly materials

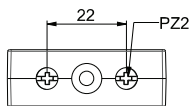
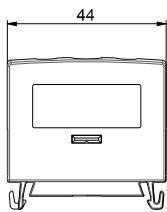
Type	Un (V)	In (Al) (A)	In (Cu) (A)	Al/Cu mm ²	Torque Al/Cu (Nm)	No of conductors	Key size	Mounting	EAN code 6419410...	E-NO	Weight kg								
KC 1x16	800	-	63	1.5-16*	1.8	2	PZ2	DIN	...357200	1942008	0,021								
KC 1x16N									...357217	1942009									
KC 1x16PE									...357224	1942010									
KC 2x16			125	1.5-16*	1.8	4	PZ2	DIN	DIN	...357507	1942011	0,047							
KC 2x16N										...357514	1942012								
KC 2x16PE										...357521	1942013								
KC 1x35			800	-	135	2.5-35*	2.5	2	PZ2	DIN	...357231	1942014	0,03						
KC 1x35N											...357248	1942015							
KC 1x35PE											...357255	1942016							
KC 2x35					270	2.5-35*	2.5	4	PZ2	DIN	DIN	...357538	1942017	0,069					
KC 2x35N												...357545	1942018						
KC 2x35PE												...357552	1942019						
KL1x50	1000	160	160	2.5 - 50	5 (2.5 - 10 mm ²)	2	Hex 5	Screw / DIN	...378250	1942061	0,060								
KL1x50N									...378267	1942062									
KL1x50PE									...378274	1942063									
KL2x50									160	320		2.5 - 50	5 (2.5 - 10 mm ²)	4	Hex 5	Screw / DIN	...378281	1942064	0,104
KL2x50N																	...378298	1942065	
KL2x50PE																	...378304	1942066	
KL1x95		200	245	16 - 95	12 (16 - 50 mm ²)	2	Hex 6	Screw / DIN	...378311	1942067	0,096								
KL1x95N									...378328	1942068									
KL1x95PE									...378335	1942069									
KL2x95									400	490		16 - 95	12 (16 - 50 mm ²)	4	Hex 6	Screw / DIN	...378342	1942070	0,169
KL2x95N																	...378359	1942071	
KL2x95PE																	...378366	1942072	
KL1x150		250	320	25 - 150	12 (25 - 50 mm ²)	2	Hex 6	Screw / DIN	...378373	1942055	0,181								
KL1x150N									...378380	1942056									
KL1x150PE									...378397	1942057									
KL2x150					500	640	25 - 150	12 (25 - 50 mm ²)	4	Hex 6		Screw / DIN	...378403	1942058	0,317				
KL2x150N													...378410	1942059					
KL2x150PE													...378427	1942060					
KL1x240		315	425	35 - 240	25 (35 - 120 mm ²)	2	Hex 8	Screw / DIN	...378434	1942073	0,293								
KL1x240N									...378441	1942074									
KL1x240PE									...378458	1942075									
KL2x240					630	820	35 - 240	25 (35 - 120 mm ²)	4	Hex 8		Screw / DIN	...378465	1942076	0,522				
KL2x240N													...378472	1942077					
KL2x240PE													...378489	1942078					



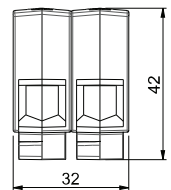
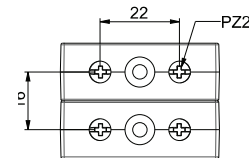
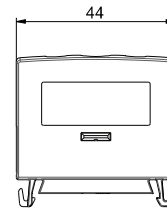
KC 1x16



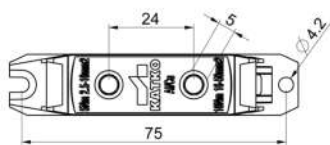
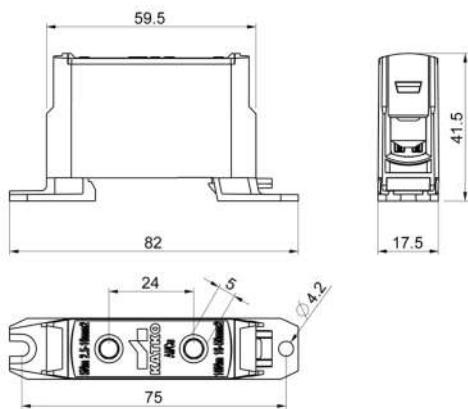
KC 2x16



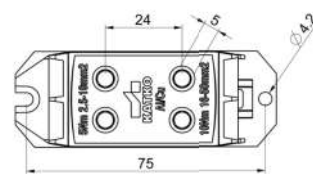
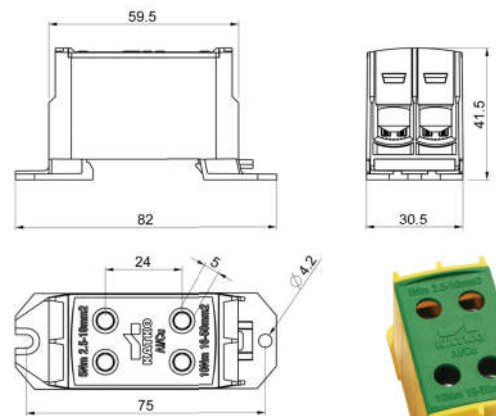
KC 1x35



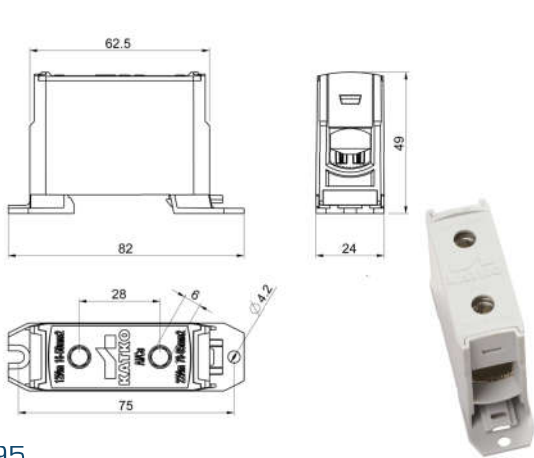
KC 2x35



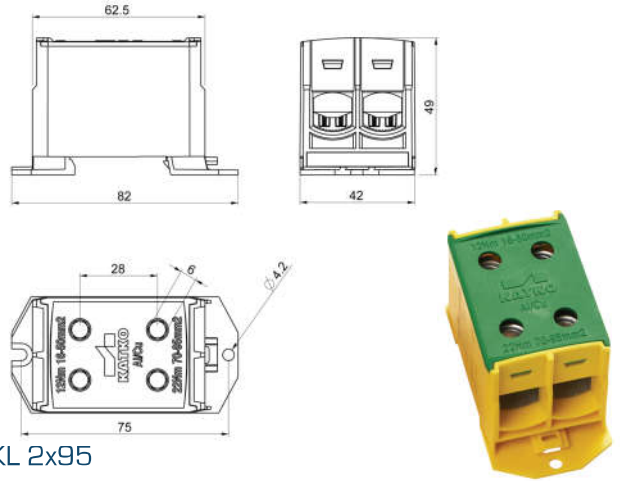
KL 1x50



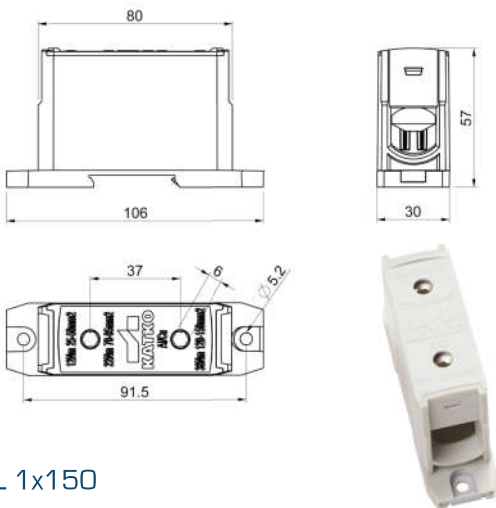
KL 2x50



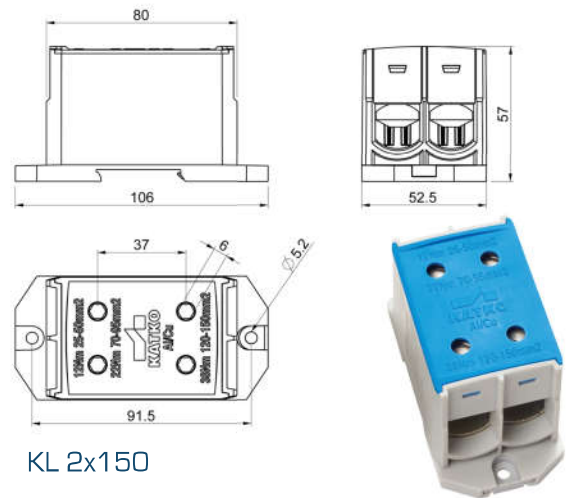
KL 1x95



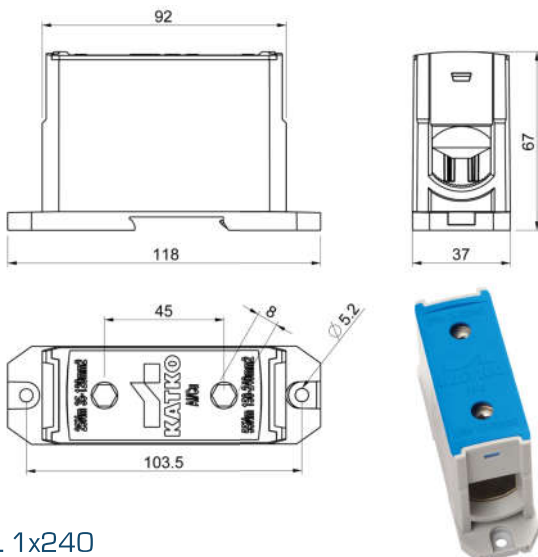
KL 2x95



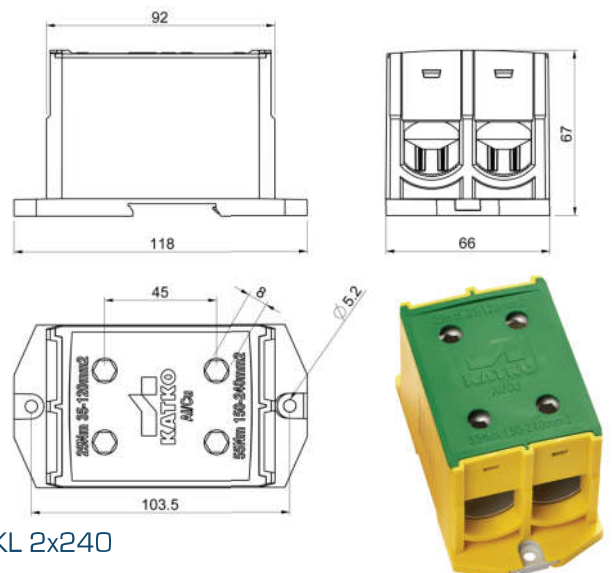
KL 1x150



KL 2x150



KL 1x240



KL 2x240