



Data subject to change without notice. Always confirm the data is correct from the seller.

## **KEM 363U**

---

### **KEM Polycarbonate 10-630A**

- IP66; Enclosure types U2, U3, U4
- IP65; Enclosure types MF11, MF03, MF04
- Self-extinguishing material
- Wide operating temperature range
- Padlockable with 3 locks

- Door interlock with defeat mechanism
- Excellent insulating properties
- Good UV resistance
- Good resistance against many chemicals
- Tested according to IEC 60947-3
- **Note!** Al-cables cannot be connected directly to switch terminals. For Al-cable connection please use a bi-metal cable connector, **available here**.

**KEM 16-40 A Installation guide video >>**

**KEM 63-80 A Installation guide video >>**

**Technical datasheet >>**

Accessories



**PRODUCT CARD**

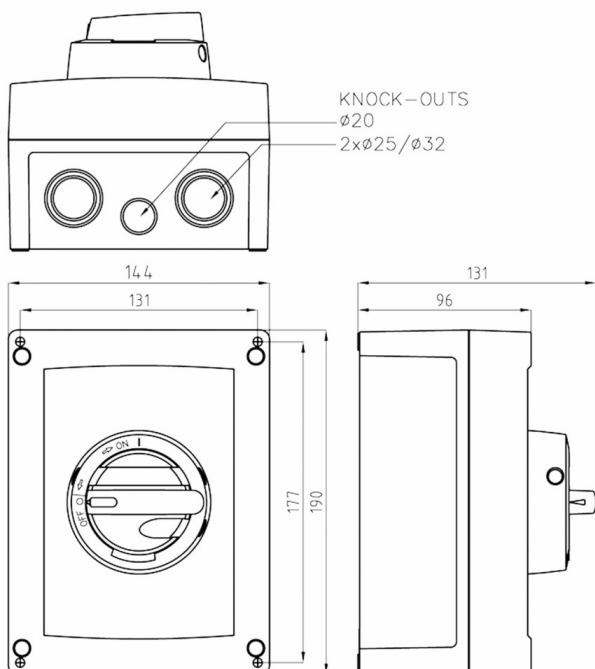
**MORE INFORMATION**

## PRODUCT DETAILS

SKU	KEM 363U
AC-21 400/415 V (A)	80 A
AC-21 690 V (A)	80 A

<b>AC-22 400/415 V (A)</b>	63 A
<b>AC-22 690 V (A)</b>	63 A
<b>AC-23 400/415 V (A/kW)</b>	40 A / 22 kW
<b>AC-23 690 V (A/kW)</b>	40 A / 37 kW
<b>Cable Area to Switch Terminal (mm<sup>2</sup>) / Bolt size</b>	2.5-35
<b>Color</b>	Standard
<b>EAN</b>	6419410399637
<b>Enclosure</b>	U3
<b>Enclosure Type</b>	Polycarbonate
<b>IP Rating</b>	66
<b>Number of Poles</b>	3
<b>Operation</b>	Front-operated
<b>Switch type</b>	Load Break Switch
<b>Weight (kg)</b>	0.6

## DIMENSIONAL DRAWING





KATKO Oy  
Ruosilantie 2  
00390 Helsinki, Finland  
E-mail: info(at)katko.com  
Tel: +358 (0)9 849 600

# NEWSLETTER

**SEND »**

[LinkedIn](#) | [YouTube](#)

**DOWNLOADS** →

[Terms & Conditions](#)